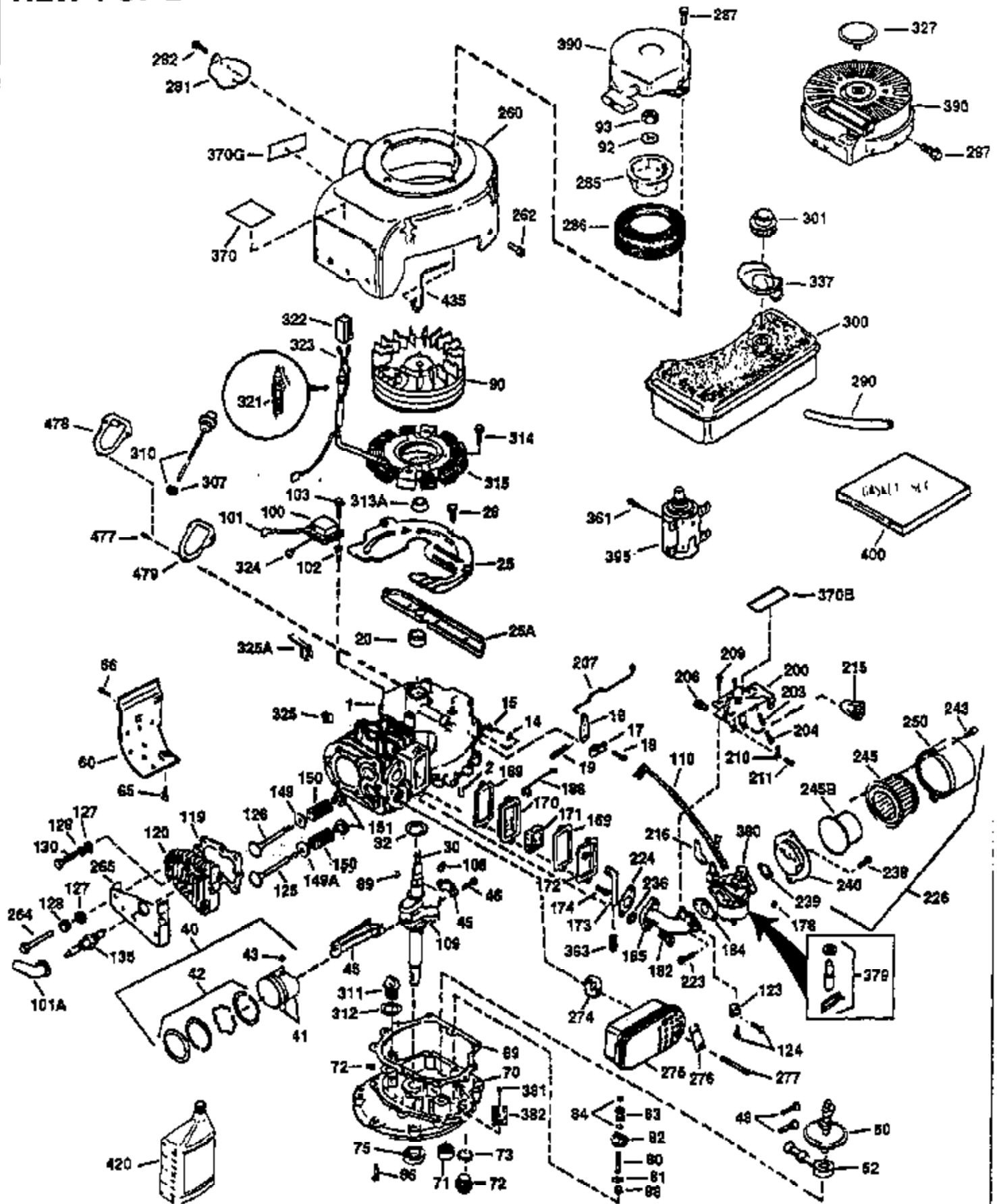


ILLUSTRATION SHOWS TYPICAL PARTS ONLY. ORDER BY PART NUMBER. PARTS NOT LISTED ARE SUPPLIED BY OEM.

VIEW 1 OF 2



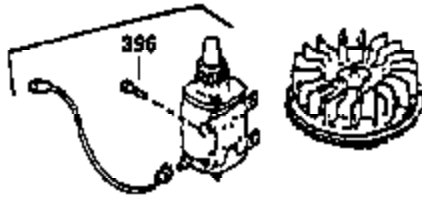
| Ref # | Part Number | Qty | Description |
|-------|-------------|-----|---|
| 1 | 34913A | 1 | Cylinder (Incl. 2 & 20) |
| 2 | 27652 | 2 | Dowel Pin |
| 14 | 28277 | 1 | Washer |
| 15 | 30669 | 1 | Governor Rod (Incl. 14) |
| 16 | 31357 | 1 | Governor Lever |
| 17 | 31335 | 1 | Governor Lever Clamp |
| 18 | 650548 | 1 | Screw, 8-32 x 5/16" |
| 19 | 31361 | 1 | Extension Spring |
| 20 | 32630 | 1 | Oil Seal |
| 25 | 35256A | 1 | Blower Housing Baffle |
| 26 | 650561 | 2 | Screw, 1/4-20 x 5/8" |
| 30 | 34879 | 1 | Crankshaft |
| 40 | 34531 | 1 | Piston, Pin & Ring Set (Std.) |
| 40 | 34532 | 1 | Piston, Pin & Ring Set (.010" OS) |
| 40 | 34533 | 1 | Piston, Pin & Ring Set (.020" OS) |
| 41 | 33312B | 1 | Piston & Pin Ass'y. (Std.) (Incl. 43) |
| 41 | 33313B | 1 | Piston & Pin Ass'y. (.010" OS) (Incl. 43) |
| 41 | 33314B | 1 | Piston & Pin Ass'y. (.020" OS) (Incl. 43) |
| 42 | 34854 | 1 | Ring Set (Std.) |
| 42 | 34855 | 1 | Ring Set (.010" OS) |
| 42 | 34856 | 1 | Ring Set (.020" OS) |
| 43 | 27888 | 2 | Piston Pin Retaining Ring |
| 45 | 31380C | 1 | Connecting Rod Ass'y. (Incl. 46) |
| 46 | 650662C | 2 | Connecting Rod Bolt |
| 48 | 34034 | 2 | Valve Lifter |
| 50 | 32114 | 1 | Camshaft |
| 52 | 31356 | 1 | Oil Pump Ass'y. |
| 60 | 30622A | 1 | Blower Housing Extension |
| 64 | 30063 | 1 | Screw, Torx T-30, 1/4-20 x 1/2" |
| 65 | 650128 | 1 | Screw, 10-24 x 1/2" |
| 69 | 30684 | 1 | * Mounting Flange Gasket |
| 70 | 31471D | 1 | Mounting Flange (Incl. 72,72A,75,80 & 81) |
| 72 | 27642 | 1 | Oil Drain Plug |
| 72A | 28582 | 2 | Oil Drain Plug |
| 75 | 27897 | 1 | Oil Seal |
| 80 | 30668 | 1 | Governor Shaft |
| 81 | 30590A | 2 | Washer |
| 82 | 30591 | 1 | Governor Gear Ass'y. (Incl. 81) |
| 83 | 30588A | 1 | Governor Spool |
| 84 | 29193 | 2 | Retaining Ring |
| 86 | 650488 | 7 | Screw, 1/4-20 x 1-1/4" |
| 88 | 31707A | 1 | Spacer (Incl. 81) |
| 89 | 32589 | 1 | Flywheel Key |
| 90 | 611042 | 1 | Flywheel (w/Ring Gear) |
| 92 | 650815 | 1 | Belleville Washer |
| 93 | 8116 | 1 | Flywheel Nut |
| 103 | 650489 | 2 | Screw, 1/4-20 x 5/8" |
| 110 | 34235 | 1 | Ground Wire |
| 119 | 28938C | 1 | * Cylinder Head Gasket |
| 120 | 30938A | 1 | Cylinder Head |
| 125 | 27878A | 1 | Exhaust Valve (Std.) (Incl. 151) |
| 125 | 27880A | 1 | Exhaust Valve (1/32" OS) (Incl. 151) |
| 126 | 32783 | 1 | Intake Valve (Std.) (Incl. 151) |
| 126 | 32784 | 1 | Intake Valve (1/32" OS) (Incl. 151) |
| 127 | 650691 | 8 | Washer |
| 128 | 650690 | 8 | Belleville Washer |
| 130 | 650697A | 8 | Screw, 5/16-18 x 2-1/2" |
| 135 | 33636 | 1 | Resistor Spark Plug (RJ17LM) |

| Ref # | Part Number | Qty | Description |
|-------|-------------|-----|--|
| 149 | 27882 | 2 | Valve Spring Cap |
| 150 | 27881 | 2 | Valve Spring |
| 151 | 32581 | 2 | Valve Spring Keeper |
| 169 | 27896A | 2 | * Valve Cover Gasket |
| 170 | 28423 | 1 | Breather Body |
| 171 | 28424 | 1 | Breather Element |
| 172 | 28425 | 1 | Valve Cover |
| 173 | 35350 | 1 | Breather Tube |
| 174 | 650128 | 2 | Screw, 10-24 x 1/2" |
| 178 | 650517 | 2 | Screw, 1/4-20 x 27/32" |
| 182 | 650378 | 2 | Screw, Torx T-30, 5/16-18 x 1-1/8" |
| 184 | 26756 | 1 | * Carburetor To Intake Pipe Gasket |
| 185 | 32632 | 1 | Intake Pipe |
| 186 | 32582 | 1 | Governor Link |
| 200 | 32264A | 1 | Control Bracket (Incl.203, 204 & 206) |
| 203 | 31342 | 1 | Compression Spring |
| 204 | 650549 | 1 | Screw, 5-40 x 7/16" |
| 206 | 610973 | 1 | Terminal |
| 207 | 31823 | 1 | Throttle Link |
| 209 | 30200 | 2 | Screw, 10-24 x 9/16" |
| 215 | 32410 | 1 | Control Knob |
| 224 | 27915A | 1 | * Intake Pipe Gasket |
| 238 | 28820 | 2 | Screw, 10-32 x 1/2" |
| 239 | 27272A | 1 | * Air Cleaner Gasket |
| 240 | 31691 | 1 | Air Cleaner Body |
| 243 | 650152 | 2 | Screw, 8-32 x 3/8" |
| 245 | 30727 | 1 | Air Cleaner Filter |
| 250 | 31715 | 1 | Air Cleaner Cover |
| 260 | 35909 | 1 | Blower Housing |
| 261 | 29747B | 2 | Screw, Torx T-40, 5/16-24 x 21/32" |
| 265 | 30939A | 1 | Cylinder Head Cover |
| 274 | 35865 | 1 | * Exhaust Gasket |
| 275 | 28269 | 1 | Muffler |
| 276 | 31588 | 1 | Locking Plate |
| 277 | 650696 | 2 | Screw, 5/16-18 x 2-3/4" |
| 281 | 33013 | 1 | Starter Bubble Cover |
| 282 | 650760 | 1 | Screw, 8-32 x 3/8" |
| 285 | 32125 | 1 | Starter Cup |
| 287 | 650884 | 4 | Screw, 8-32 x 1/2" |
| 290 | 29774 | 1 | Fuel Line (2.00") |
| 300 | 32584 | 1 | Fuel Tank (Incl. 301) |
| 301 | 33032 | 1 | Fuel Cap |
| 307 | 35499 | 1 | "O" Ring |
| 310 | 35598 | 1 | Dipstick |
| 311 | 27625 | 1 | Oil Fill Plug (Incl. 312) |
| 312 | 29673 | 1 | * Oil Fill Plug Gasket |
| 325 | 27275 | 1 | Wire Clip |
| 327 | 35392 | 1 | Starter Plug |
| 370B | 35344 | 1 | Instruction Decal |
| 370A | 34346 | 1 | Lubrication Decal |
| 370 | 550223 | 1 | Logo Decal |
| 380 | 632233 | 1 | Carburetor (Incl. 184) |
| 390 | 590666 | 1 | Rewind Starter |
| 400 | 33234B | 1 | * Gasket Set (Incl. items marked PK i n notes) Incl. part #'s 26756 (1), 27272A (2), 27896A (2), 27913A (1), 27915A (1), 28747 (1), 28833 (1), 28938C (1), 29673 (1), 30684 (1), 31688A (1), 33263 (1), 33629 (1), 34912 (1), 35865 (1) |

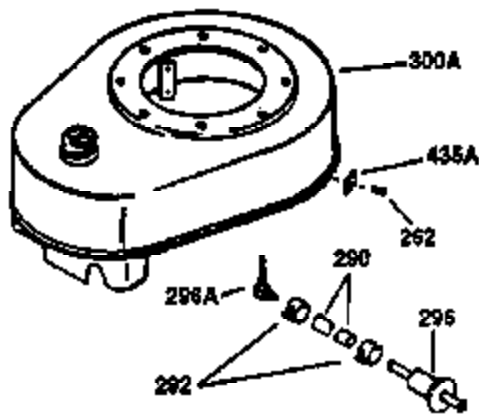
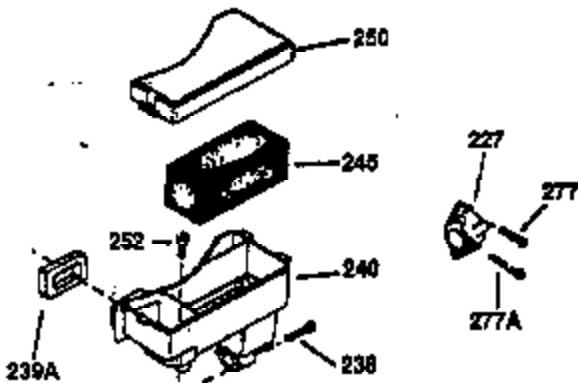
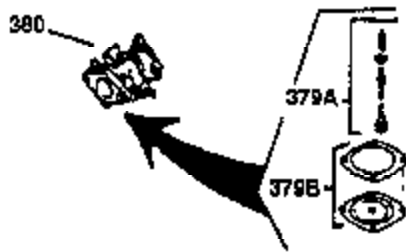
| Ref # | Part Number | Qty | Description |
|-------|-------------|-----|-----------------------------------|
| 420 | 730225 | 1 | SAE 30 4-Cycle Engine Oil (Quart) |
| 435 | 33549 | 1 | Hold Down Clamp |

ILLUSTRATION SHOWS TYPICAL PARTS ONLY. ORDER BY PART NUMBER. PARTS NOT LISTED ARE SUPPLIED BY OEM.

VIEW 2 OF 2



OPTIONAL 110 - 120 VOLT
STARTER MOTOR KIT



| Ref # | Part Number | Qty | Description |
|-------|-------------|-----|---------------------------------------|
| 64 | 30063 | 1 | Screw, Torx T-30, 1/4-20 x 1/2" |
| 72A | 28582 | 2 | Oil Drain Plug |
| 103 | 650489 | 2 | Screw, 1/4-20 x 5/8" |
| 238 | 28820 | 2 | Screw, 10-32 x 1/2" |
| 240 | 31691 | 1 | Air Cleaner Body |
| 245 | 30727 | 1 | Air Cleaner Filter |
| 250 | 31715 | 1 | Air Cleaner Cover |
| 261 | 29747B | 2 | Screw, Torx T-40, 5/16-24 x 21/32" |
| 274 | 35865 | 1 | * Exhaust Gasket |
| 275 | 28269 | 1 | Muffler |
| 277 | 650696 | 2 | Screw, 5/16-18 x 2-3/4" |
| 290 | 29774 | 1 | Fuel Line (2.00") |
| 305 | 35560 | 1 | Oil Fill Tube |
| 307 | 35499 | 1 | "O" Ring |
| 370A | 34346 | 1 | Lubrication Decal |
| 375 | 611043 | 1 | Magneto (Not Sold As Complete Ass'y.) |
| 380 | 632233 | 1 | Carburetor (Incl. 184) |