

ILLUSTRATION SHOWS TYPICAL PARTS ONLY. ORDER BY PART NUMBER. PARTS NOT LISTED ARE SUPPLIED BY OEM.

# VIEW 1 OF 2



| Ref # | Part Number | Qty | Description                               |
|-------|-------------|-----|---|
| 1     | 34913A      | 1   | Cylinder (Incl. 2 & 20)                   |
| 2     | 27652       | 2   | Dowel Pin                                 |
| 14    | 28277       | 1   | Washer                                    |
| 15    | 30669       | 1   | Governor Rod (Incl. 14)                   |
| 16    | 31357       | 1   | Governor Lever                            |
| 17    | 31335       | 1   | Governor Lever Clamp                      |
| 18    | 651018      | 1   | Screw, Torx T-15, 8-32 x 19/64"           |
| 19    | 31361       | 1   | Extension Spring                          |
| 20    | 32630       | 1   | Oil Seal                                  |
| 25    | 29536       | 1   | Blower Housing Baffle                     |
| 26    | 650561      | 2   | Screw, 1/4-20 x 5/8"                      |
| 30    | 35209       | 1   | Crankshaft                                |
| 40    | 34531       | 1   | Piston, Pin & Ring Set (Std.)             |
| 40    | 34532       | 1   | Piston, Pin & Ring Set (.010" OS)         |
| 40    | 34533       | 1   | Piston, Pin & Ring Set (.020" OS)         |
| 41    | 33312B      | 1   | Piston & Pin Ass'y. (Std.) (Incl. 43)     |
| 41    | 33313B      | 1   | Piston & Pin Ass'y. (.010" OS) (Incl. 43) |
| 41    | 33314B      | 1   | Piston & Pin Ass'y. (.020" OS) (Incl. 43) |
| 42    | 34854       | 1   | Ring Set (Std.)                           |
| 42    | 34855       | 1   | Ring Set (.010" OS)                       |
| 42    | 34856       | 1   | Ring Set (.020" OS)                       |
| 43    | 27888       | 2   | Piston Pin Retaining Ring                 |
| 45    | 31380C      | 1   | Connecting Rod Ass'y. (Incl. 46)          |
| 46    | 650662C     | 2   | Connecting Rod Bolt                       |
| 48    | 34034       | 2   | Valve Lifter                              |
| 50    | 32114       | 1   | Camshaft                                  |
| 52    | 31356       | 1   | Oil Pump Ass'y.                           |
| 60    | 30622A      | 1   | Blower Housing Extension                  |
| 65    | 650128      | 1   | Screw, 10-24 x 1/2"                       |
| 66    | 30063       | 1   | Screw, Torx T-30, 1/4-20 x 1/2"           |
| 69    | 30684       | 1   | * Mounting Flange Gasket                  |
| 70    | 31471D      | 1   | Mounting Flange (Incl. 72,75,80,81 & 311) |
| 72A   | 28582       | 1   | Oil Drain Plug                            |
| 72    | 27642       | 1   | Oil Drain Plug                            |
| 75    | 27897       | 1   | Oil Seal                                  |
| 80    | 30668       | 1   | Governor Shaft                            |
| 81    | 30590A      | 2   | Washer                                    |
| 82    | 30591       | 1   | Governor Gear Ass'y. (Incl. 81)           |
| 83    | 30588A      | 1   | Governor Spool                            |
| 84    | 29193       | 2   | Retaining Ring                            |
| 86    | 650488      | 7   | Screw, 1/4-20 x 1-1/4"                    |
| 88    | 31707A      | 1   | Spacer (Incl. 81)                         |
| 89    | 32589       | 1   | Flywheel Key                              |
| 90    | 611084      | 1   | Flywheel                                  |
| 92    | 650815      | 1   | Belleville Washer                         |
| 93    | 8116        | 1   | Flywheel Nut                              |
| 100   | 34443A      | 1   | Solid State Ignition                      |
| 101   | 610118      | 1   | Spark Plug Cover                          |
| 102   | 650872      | 2   | Solid State Mounting Stud                 |
| 103   | 651007      | 2   | Screw, Torx T-15, 10-24 x 15/16"          |
| 110   | 36230       | 1   | Ground Wire                               |
| 119   | 36445       | 1   | * Cylinder Head Gasket                    |
| 120   | 36446       | 1   | Cylinder Head                             |
| 125   | 27878A      | 1   | Exhaust Valve (Std.) (Incl. 151)          |
| 125   | 27880A      | 1   | Exhaust Valve (1/32" OS) (Incl. 151)      |
| 126   | 32783       | 1   | Intake Valve (Std.) (Incl. 151)           |
| 126   | 32784       | 1   | Intake Valve (1/32" OS) (Incl. 151)       |
| 127   | 650691      | 8   | Washer                                    |

| Ref # | Part Number | Qty | Description   |
|-------|-------------|-----|---|
| 128   | 650690      | 8   | Belleville Washer   |
| 130   | 650697A     | 8   | Screw, 5/16-18 x 2-1/2"   |
| 135   | 33636       | 1   | Resistor Spark Plug (RJ17LM)  |
| 149   | 27882       | 2   | Valve Spring Cap  |
| 150   | 27881       | 2   | Valve Spring  |
| 151   | 32581       | 2   | Valve Spring Keeper   |
| 169   | 27896A      | 2   | * Valve Cover Gasket  |
| 170   | 28423       | 1   | Breather Body   |
| 171   | 28424       | 1   | Breather Element  |
| 172   | 28425       | 1   | Valve Cover   |
| 173   | 35350       | 1   | Breather Tube   |
| 174   | 650128      | 2   | Screw, 10-24 x 1/2"   |
| 178   | 650517      | 2   | Screw, 1/4-20 x 27/32"  |
| 182   | 650378      | 2   | Screw, Torx T-30, 5/16-18 x 1-1/8"  |
| 184   | 26756       | 1   | * Carburetor To Intake Pipe Gasket  |
| 185   | 32632       | 1   | Intake Pipe   |
| 186   | 32582       | 1   | Governor Link   |
| 200   | 32181A      | 1   | Control Bracket (Incl.203, 204 & 206)   |
| 203   | 31342       | 1   | Compression Spring  |
| 204   | 650549      | 1   | Screw, 5-40 x 7/16"   |
| 206   | 610973      | 1   | Terminal  |
| 207   | 31823       | 1   | Throttle Link   |
| 209   | 30200       | 2   | Screw, 10-24 x 9/16"  |
| 210   | 27793       | 1   | Conduit Clip  |
| 211   | 28942       | 1   | Screw, 10-32 x 3/8"   |
| 224   | 27915A      | 1   | * Intake Pipe Gasket  |
| 238   | 28820       | 2   | Screw, 10-32 x 1/2"   |
| 239   | 27272A      | 1   | * Air Cleaner Gasket  |
| 240   | 31691       | 1   | Air Cleaner Body  |
| 243   | 650152      | 2   | Screw, 8-32 x 3/8"  |
| 245   | 30727       | 1   | Air Cleaner Filter  |
| 250   | 31715       | 1   | Air Cleaner Cover   |
| 260   | 35892       | 1   | Blower Housing  |
| 262   | 29747B      | 2   | Screw, Torx T-40, 5/16-24 x 21/32"  |
| 265   | 30939A      | 1   | Cylinder Head Cover   |
| 274   | 35865       | 1   | * Exhaust Gasket  |
| 275   | 28269       | 1   | Muffler   |
| 276   | 31588       | 1   | Locking Plate   |
| 277   | 650696      | 2   | Screw, 5/16-18 x 2-3/4"   |
| 285   | 35287A      | 1   | Starter Cup   |
| 287   | 650926      | 4   | Screw, 8-32 x 21/64"  |
| 290   | 29774       | 1   | Fuel Line (2.00")   |
| 300   | 32584       | 1   | Fuel Tank (Incl. 301)   |
| 301   | 33032       | 1   | Fuel Cap  |
| 311   | 34165       | 1   | Oil Fill Plug (Incl. 312)   |
| 311   | 27625       | 1   | Oil Filler Plug   |
| 312   | 29673       | 2   | * Oil Fill Plug Gasket  |
| 325   | 29443       | 1   | Wire Clip   |
| 370   | 550223      | 1   | Logo Decal  |
| 370K  | 36695       | 1   | Starter Decal   |
| 370A  | 36261       | 1   | Lubrication Decal   |
| 380   | 632233      | 1   | Carburetor (Incl. 184)  |
| 390   | 590732A     | 1   | Rewind Starter (Note: This engine could have been built with the 590738 starter. Refer to the design of the rope pulley strength ribs for part identification. Individual starter parts do not interchange. Refer to service bulletin 518). |

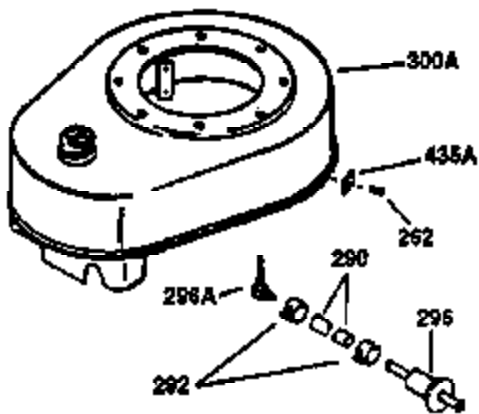
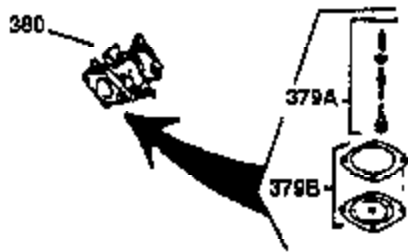
| Ref # | Part Number | Qty | Description  |
|-------|-------------|-----|--|
| 400   | 36447       | 1   | * Gasket Set (Incl. items marked PK i n notes) Incl. part #'s<br>26756 (1), 27272A (1), 27896A (2), 27915A (1), 29673 (1),<br>30684 (1), 31688A (1), 33629 (1), 34912 (1), 35865 (1),<br>36445 (1) |
| 420   | 730225      | 1   | SAE 30 4-Cycle Engine Oil (Quart)  |
| 435   | 33549       | 1   | Hold Down Clamp  |

ILLUSTRATION SHOWS TYPICAL PARTS ONLY. ORDER BY PART NUMBER. PARTS NOT LISTED ARE SUPPLIED BY OEM.

**VIEW 2 OF 2**



OPTIONAL 110 - 120 VOLT  
 STARTER MOTOR KIT



| Ref # | Part Number | Qty | Description                        |
|-------|-------------|-----|------------------------------------|
| 66    | 30063       | 1   | Screw, Torx T-30, 1/4-20 x 1/2"    |
| 72A   | 28582       | 1   | Oil Drain Plug                     |
| 103   | 651007      | 2   | Screw, Torx T-15, 10-24 x 15/16"   |
| 238   | 28820       | 2   | Screw, 10-32 x 1/2"                |
| 240   | 31691       | 1   | Air Cleaner Body                   |
| 245   | 30727       | 1   | Air Cleaner Filter                 |
| 250   | 31715       | 1   | Air Cleaner Cover                  |
| 262   | 29747B      | 2   | Screw, Torx T-40, 5/16-24 x 21/32" |
| 274   | 35865       | 1   | * Exhaust Gasket                   |
| 275   | 28269       | 1   | Muffler                            |
| 277   | 650696      | 2   | Screw, 5/16-18 x 2-3/4"            |
| 290   | 29774       | 1   | Fuel Line (2.00")                  |
| 370K  | 36695       | 1   | Starter Decal                      |
| 370A  | 36261       | 1   | Lubrication Decal                  |
| 380   | 632233      | 1   | Carburetor (Incl. 184)             |