

| Ref # | Part Number | Qty | Description |
|-------|-------------|-----|---|
| 1 | 35383 | | Cylinder (Incl. 2 & 20) (3-1/8" Bore) |
| 2 | 27652 | | Pin, Dowel |
| 14 | 28277 | | Washer, Flat |
| 15 | 35082 | | Rod, Governor |
| 16 | 32651 | | Lever, Governor |
| 17 | 31335 | | Clamp, Governor lever |
| 18 | 650548 | | Screw, 8-32 x 5/16" |
| 19 | 34043 | | Spring, Extension |
| 20 | 35319 | | Seal, Oil |
| 25 | 35326 | | Baffle, Blower housing |
| 26 | 650561 | | Screw, 1/4-20 x 5/8" |
| 30 | 35380 | | Crankshaft |
| 32 | 35653 | | Washer (1-3/8" I.D. 1-3/4" O.D. .015" thick) |
| 40 | 34552 | | Piston, Pin & Ring Set (Std.) (3-1/8" Bore) |
| 40 | 34553 | | Piston, Pin & Ring Set (.010" OS) |
| 40 | 34554 | | Piston, Pin & Ring Set (.020" OS) |
| 41 | 34329A | | Piston & Pin Ass'y. (Std.)(Incl. 43)(3-1/8") |
| 41 | 34330A | | Piston & Pin Ass'y. (.010" OS) (Incl. 43) |
| 41 | 34331A | | Piston & Pin Ass'y. (.020" OS) (Incl. 43) |
| 42 | 34332 | | Ring Set (Std.) (3-1/8" Bore) |
| 42 | 34333 | | Ring Set (.010" OS) |
| 42 | 34334 | | Ring Set (.020" OS) |
| 43 | 27888 | | Ring, Piston Pin retaining |
| 45 | 35373A | | Rod Assy., Connecting (Incl. 46 & 47) |
| 46 | 650908 | | Bolt, Connecting rod |
| 47 | 650882 | | Bolt, Connecting rod (Used 2 in early prod.) |
| 48 | 34034 | | Lifter, Valve |
| 50 | 35381 | | Camshaft (MCR) |
| 52 | 31356 | | Pump Assy., Oil |
| 60 | 33273A | | Extension, Blower housing |
| 64 | 30063 | | Screw, Torx T-30, 1/4-20 x 1/2" |
| 65 | 650128 | | Screw, 10-24 x 1/2" |
| 69 | 35262 | | * Gasket, Mounting flange |
| 70 | 35382A | | Flange Ass'y. (Incl. 72, 75, 80 & 81) |
| 72 | 31927 | | Plug, Pipe |
| 75 | 35319 | | Seal, Oil |
| 80 | 30668 | | Shaft, Mechanical governor |
| 81 | 30590A | | Washer, Flat |
| 82 | 35378 | | Gear Assy., Governor (Incl. 81) |
| 83 | 30588A | | Spool, Governor |
| 84 | 29193 | | Ring, Retaining |
| 86 | 650833 | | Screw, 1/4-20 x 1-3/16" |
| 88 | 31707A | | Governor Spacer Assy. (Incl. 81) |
| 89 | 32589 | | Key, Flywheel |
| 90 | 611090 | | Flywheel |
| 92 | 650880 | | Washer, Lock |
| 93 | 650881 | | Nut, Hex, 5/8-18 |
| 100 | 35135 | | Solid State Assy. |
| 101 | 610118 | | Cover, Spark plug (Use as required) |
| 102 | 650872 | | Stud, Solid State mounting |
| 103 | 650814 | | Screw, Torx T-15, 10-24 x 1" |
| 110 | 35182 | | Wire, Ground |
| 119 | 34041A | | * Gasket, Cylinder head |
| 120 | 34030 | | Head, Cylinder |
| 123 | 33261 | | Bracket, Intake pipe |
| 124 | 650738 | | Screw, 1/4-20 x 5/8" |
| 125 | 27878A | | Exhaust Valve (Std.) (Incl. 151) |
| 125 | 27880A | | Exhaust Valve (1/32" OS) (Incl. 151) |

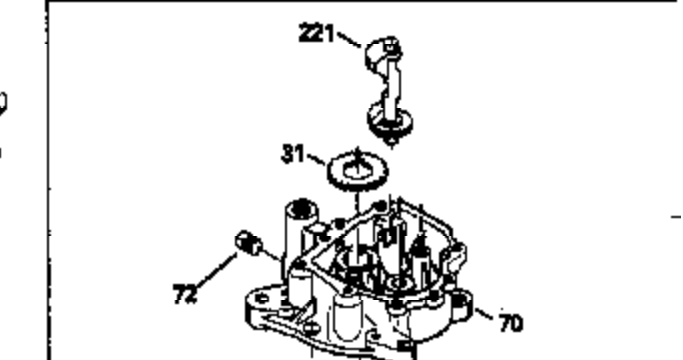
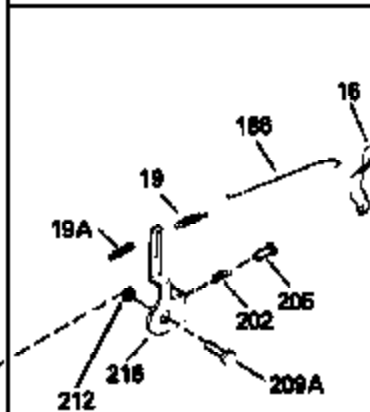
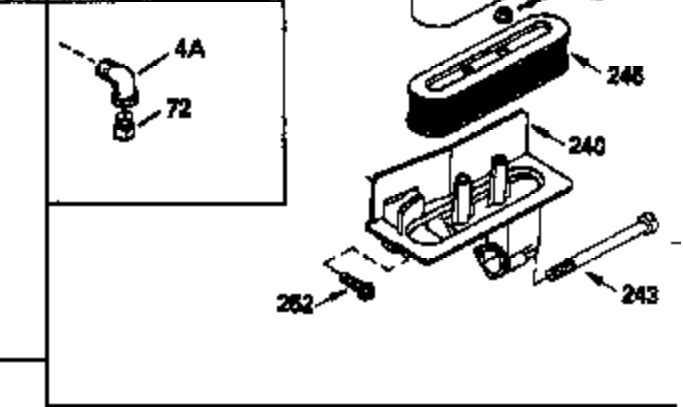
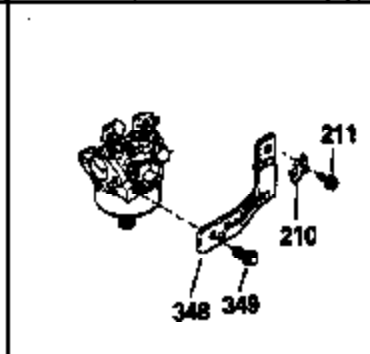
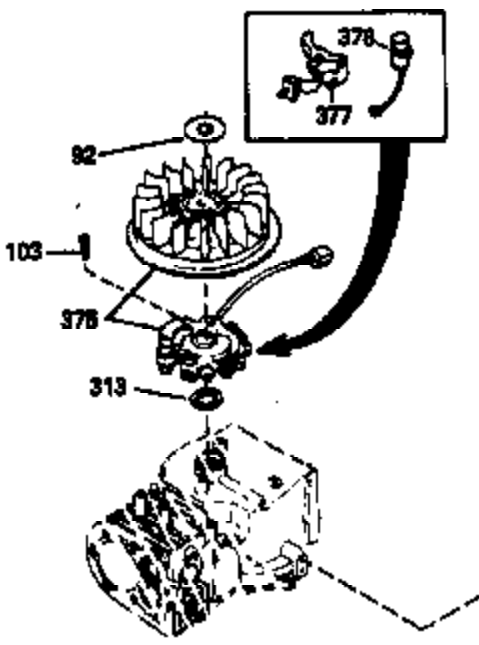
| Ref # | Part Number | Qty | Description |
|-------|-------------|-----|--|
| 126 | 34035 | | Intake Valve (Std.) (Incl. 151) |
| 126 | 34036 | | Intake Valve (1/32" OS) (Incl. 151) |
| 127 | 650691 | | Washer, Flat (Do not use with 6021A s crew) |
| 128 | 650690 | | Washer, Belleville |
| 130 | 650694A | | Screw, 5/16-18 x 2" |
| 131 | 6021A | | Screw, 5/16-18 x 1-1/2" (Do not use w /650691) |
| 131 | 650788 | | Screw, 5/16-18 x 3/4" |
| 135 | 33636 | | Resistor Spark Plug |
| 149A | 35862 | | Seal Assy., Intake valve |
| 149 | 27882 | | Valve Spring Cap |
| 150 | 27881 | | Spring, Valve |
| 151 | 32581 | | Valve Spring Keeper |
| 169 | 27896A | | * Gasket, Breather |
| 170 | 28423 | | Body Assy., Breather |
| 171 | 28424 | | Element, Breather |
| 172 | 28425 | | Cover, Breather |
| 173 | 35350 | | Tube, Breather |
| 174 | 650128 | | Screw, 10-24 x 1/2" |
| 178 | 29752 | | Nut & Lockwasher, 1/4-28 |
| 182 | 30088A | | Screw, 1/4-28 x 1" |
| 184 | 33263 | | * Gasket, Carburetor |
| 185 | 34926 | | Pipe, Intake |
| 186 | 33860 | | Link, Governor-to-throttle |
| 200 | 35201 | | Control Bracket |
| 202 | 33802 | | Spring, Compression |
| 205 | 650777 | | Screw, 6-32 x 21/32" |
| 206 | 610973 | | Terminal Assy. (Use as required) |
| 209 | 30200 | | Screw, 10-24 x 9/16" |
| 210 | 27793 | | Clip, Conduit |
| 211 | 28942 | | Screw, 10-32 x 3/8" |
| 223 | 650378 | | Screw, Torx T-30, 5/16-18 x 1-1/8" |
| 224 | 27915A | | * Gasket, Intake pipe |
| 239A | 34912 | | * Gasket, Air cleaner-to-housing |
| 239 | 33629 | | * Gasket, Air cleaner |
| 243 | 650834 | | Screw, 10-32 x 1-17/32" |
| 246A | 34910 | | Element, Air cleaner |
| 250A | 34911 | | Cover, Air cleaner |
| 252A | 650784 | | Screw, 10-24 x 11/16" |
| 253 | 650651 | | Screw, 1/4-20 x 5/8" |
| 260 | 33635B | | Blower Housing (For electric starter) NOTE: Replacement hardware may differ when servicing starter assy. or blower housing. Refer to Service Bulletin 508. |
| 261 | 650788 | | Screw, 5/16-18 x 3/4" |
| 262 | 29747B | | Screw, 5/16-24 x 21/32" |
| 264 | 650802 | | Screw, 1/4-20 x 5/8" |
| 264A | 650738 | | Screw, 1/4-20 x 5/8" |
| 265 | 33272A | | Cover, Cylinder head |
| 275 | 33280A | | Muffler |
| 276 | 31588 | | Plate, Muffler locking |
| 277 | 650729 | | Screw, 5/16-18 x 3-3/16" (Use As Req.) |
| 277 | 651002 | | Screw, 5/16-18 x 4-3/16" (Use As Req.) |
| 277 | 30196 | | Screw, 5/16-18 x 3/4" (Use As Req.) |
| 281 | 33013 | | Cover, Starter bubble |
| 282 | 650760 | | Screw, 8-32 x 3/8" |
| 285 | 35287 | | Cup, Starter |
| 286B | 35446 | | Screen, Starter (Stationary) |
| 287 | 29752 | | Nut & Whizlock, 1/4-28 |

| Ref # | Part Number | Qty | Description |
|-------|-------------|-----|---|
| 290 | 30705 | | Fuel Line (Braided 16") (40cm) |
| 290 | 29774 | | Fuel Line (Braided 8-1/4") (21cm)(As req.) |
| 292 | 26460 | | Clamp, Fuel line |
| 292A | 35864 | | Clamp, fuel filter to fuel line |
| 298 | 28763 | | Screw, 10-32 x 35/64" |
| 300 | 33583B | | Fuel Tank (Incl. 292, 298 & 301) NOTE: This tank was built with different size fuel inlet opening. Tanks with the 1-3/16" I.D. opening use fuel cap 34210. Tanks with the 1-1/2" I.D. opening use fuel cap 35355. |
| 301 | 33032 | | Fuel Cap (Use as required in early pr od.) |
| 301 | 34210 | | Fuel Cap (Use as required in early pr od.) |
| 301 | 35355 | | Fuel Cap |
| 305 | 35574 | | Tube, Oil fill |
| 307 | 35499 | | "O" Ring |
| 308 | 35437 | | Clip, Oil fill tube |
| 310 | 35576 | | Dipstick, Oil |
| 327 | 35392 | | Plug, Starter |
| 370A | 34686 | | Decal, Name |
| 370 | 34346 | | Decal, Instruction |
| 379 | 631021 | | Inlet Needle, Seat & Clip Assy. |
| 380 | 632237 | | Carburetor (Incl. 184) (Refer to Division 5, Section A, page 182 for breakdown or Fiche10A, Grid E-11) |
| 381 | 29117 | | Screw, 8-32 x 5/16 (Not used on late prod.) |
| 382 | 33581 | | Screen, Oil filter (Not used in late prod.) |
| 400 | 33279G | | * Gasket Set (Incl. items marked *) |

ILLUSTRATION SHOWS TYPICAL PARTS ONLY. ORDER BY PART NUMBER. PARTS NOT LISTED ARE SUPPLIED BY DEM.



STANDARD POINT IGNITION

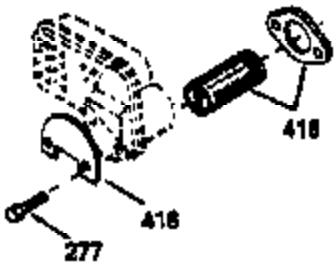


COUNTERBALANCE

| Ref # | Part Number | Qty | Description |
|-------|-------------|-----|--|
| | 16 32651 | | Lever, Governor |
| | 19A 35203 | | Spring, Extension |
| | 19 34043 | | Spring, Extension |
| | 64 30063 | | Screw, Torx T-30, 1/4-20 x 1/2" |
| | 70 35382A | | Flange Ass'y. (Incl. 72, 75, 80 & 81) |
| | 72 31927 | | Plug, Pipe |
| | 92 650880 | | Washer, Lock |
| | 103 650814 | | Screw, Torx T-15, 10-24 x 1" |
| | 186 33860 | | Link, Governor-to-throttle |
| | 202 33802 | | Spring, Compression |
| | 205 650777 | | Screw, 6-32 x 21/32" |
| | 209A 30312 | | Screw, 10-24 x 1/2" |
| | 210 27793 | | Clip, Conduit |
| | 211 28942 | | Screw, 10-32 x 3/8" |
| | 212 35550 | | Bushing, Governor Adjusting lever |
| | 216 35202A | | R.P.M. Adj. Lever (Incl.19A,209A,212, 222,239) |
| | 222 30312 | | Screw, 10-32 x 1/2" |
| | 240 34909 | | Body, Air cleaner |
| | 243 650834 | | Screw, 10-32 x 1-17/32" |
| | 274 27930 | | * Exhaust Gasket (use as required) |
| | 277 650729 | | Screw, 5/16-18 x 3-3/16" (Use As Req.) |
| | 277 651002 | | Screw, 5/16-18 x 4-3/16" (Use As Req.) |
| | 277 30196 | | Screw, 5/16-18 x 3/4" (Use As Req.) |
| | 285 35287 | | Cup, Starter |
| | 287 29752 | | Nut & Whizlock, 1/4-28 |
| | 325A 29443 | | Clip, Fuel line |
| | 327 35392 | | Plug, Starter |
| | 415 730130 | | Exh.Adapter Kit (Incl. 274 & 277)(As req.) |

ILLUSTRATION SHOWS TYPICAL PARTS ONLY. ORDER BY PART NUMBER. PARTS NOT LISTED ARE SUPPLIED BY OEM.

**OPTIONAL SPARK
ARRESTOR**



**VIEW 3 of 3
MUFFLER (QUIET)
(OPTIONAL)**



**DEBRIS SCREEN KIT
(OPTIONAL)**



| Ref # | Part Number | Qty | Description |
|-------|-------------|-----|--|
| 275C | 35824 | | Muffler (Quiet) (Optional) |
| 275 | 33280A | | Muffler |
| 277 | 650729 | | Screw, 5/16-18 x 3-3/16" (Use As Req.) |
| 277 | 651002 | | Screw, 5/16-18 x 4-3/16" (Use As Req.) |
| 277 | 30196 | | Screw, 5/16-18 x 3/4" (Use As Req.) |
| 327 | 35392 | | Plug, Starter |
| 370C | 34870 | | Decal, Instruction (Optional) |
| 370D | 34387 | | Decal, Instruction (Optional) |
| 390A | 590633 | | Rewind Starter NOTE: Replacement hardware may differ when servicing starter assy. or blower housing. Refer to Service Bulletin 508. (Refer to Division 5, Section C, page 30 for breakdown or Fiche 10A, Grid G-9) |
| 408 | 35570 | | Screen Seal (Optional) |
| 409 | 35569 | | Spacer (Optional) |
| 410 | 730573 | | Opt.Screen Kit(Incl.370D,408,409,411, 413) |
| 411 | 35568 | | Debris Screen (Optional) |
| 413 | 650907 | | Screw, 5/16-18 x 1-5/8" (Optional) |
| 416 | 34479 | | Spark Arrestor Kit (Optional) |
| 425 | 730572 | | Starter Muff Kit(Incl.370C,426,427)(O pt.) |
| 426 | 34687 | | Starter Air Cleaner (Optional) |
| 427 | 34869 | | Starter Air Cleaner Bracket (Optional) |