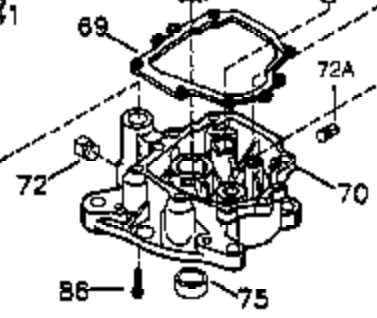




| Ref # | Part Number | Qty | Description |
|-------|-------------|-----|--------------------------------------|
| | 1 35745 | 1 | Cylinder (Incl. 2 & 20) |
| | 2 27652 | 2 | Dowel Pin |
| | 14 28277 | 2 | Washer |
| | 15 35082 | 1 | Governor Rod |
| | 16 36494 | 1 | Governor Lever |
| | 17 29916 | 1 | Governor Lever Clamp |
| | 18 650548 | 1 | Screw, 8-32 x 5/16" |
| | 19A 36495 | 1 | Extension Spring |
| | 20 35319 | 1 | Oil Seal |
| | 25 36460 | 1 | Blower Housing Baffle |
| | 26 650561 | 2 | Screw, 1/4-20 x 5/8" |
| | 28 30322 | 1 | Lock Nut, 8-32 |
| | 35 29826 | 1 | Screw, 10-32 x 3/4" |
| | 36 29918 | 1 | Lock Washer |
| | 37 29216 | 1 | Lock Nut, 10-32 |
| | 38 29642 | 1 | Retaining Ring |
| | 60 33273A | 1 | Blower Housing Extension |
| | 62 650760 | 1 | Screw, 8-32 x 3/8" |
| | 63 28545 | 1 | Grommet |
| | 64 650990 | 1 | Screw, Torx T-30, 1/4-20 x 15/32" |
| | 65 650128 | 1 | Screw, 10-24 x 1/2" |
| | 68 33356 | 1 | Ground Terminal |
| | 90 611090 | 1 | Flywheel |
| | 92 650880 | 1 | Lock Washer |
| | 93 650881 | 1 | Flywheel Nut |
| | 100 35135 | 1 | Solid State Ignition |
| | 101 610118 | 1 | Spark Plug Cover |
| | 102 650872 | 2 | Solid State Mounting Stud |
| | 103 651007 | 2 | Screw, Torx T-15, 10-24 x 15/16" |
| | 110 35349 | 1 | Ground Wire |
| | 119 36448 | 1 | * Cylinder Head Gasket |
| | 120 36449 | 1 | Cylinder Head |
| | 125 27878A | 1 | Exhaust Valve (Std.) (Incl. 151) |
| | 125 27880A | 1 | Exhaust Valve (1/32" OS) (Incl. 151) |
| | 126 34035 | 1 | Intake Valve (Std.) (Incl. 151) |
| | 126 34036 | 1 | Intake Valve (1/32" OS) (Incl. 151) |
| | 127 650691 | 9 | Washer |
| | 128 650690 | 9 | Belleville Washer |
| | 130 650694A | 9 | Screw, 5/16-18 x 2" |
| | 135 33636 | 1 | Resistor Spark Plug (RJ17LM) |
| | 149A 35862 | 1 | Valve Spring Cap |
| | 149 27882 | 1 | Valve Spring Cap |
| | 150 27881 | 2 | Valve Spring |
| | 151 32581 | 2 | Valve Spring Keeper |
| | 169 27896A | 2 | * Valve Cover Gasket |
| | 170 28423 | 1 | Breather Body |
| | 171 28424 | 1 | Breather Element |
| | 172 28425 | 1 | Valve Cover |
| | 173 35350 | 1 | Breather Tube |
| | 174 650128 | 2 | Screw, 10-24 x 1/2" |
| | 186 33860 | 1 | Governor Link |
| | 200 35956 | 1 | Control Bracket (Incl. 203 & 204) |
| | 203 36482 | 1 | Compression Spring |
| | 204 650777 | 1 | Screw, 6-32 x 21/32" |
| | 207 35989 | 1 | Throttle Link |
| | 209 650902 | 2 | Screw, 10-32 x 7/16" |
| | 210 27793 | 1 | Conduit Clip |
| | 211 28942 | 1 | Screw, 10-32 x 3/8" |

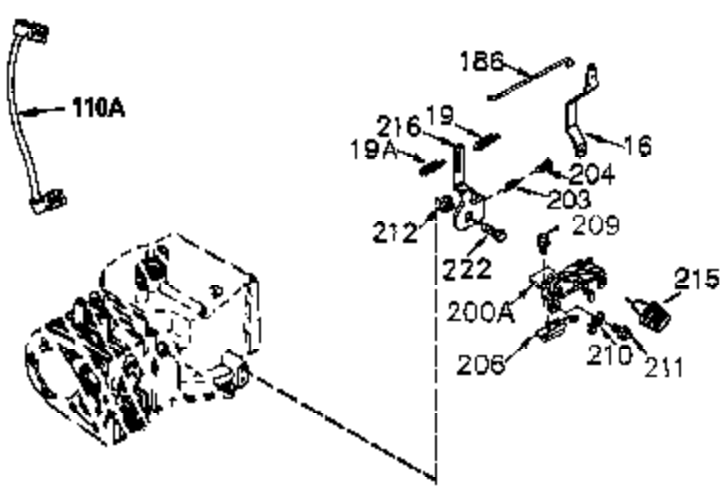
| Ref # | Part Number | Qty | Description |
|-------|-------------|-----|--|
| 260 | 33635C | 1 | Blower Housing |
| 261 | 650788 | 2 | Screw, 5/16-18 x 3/4" |
| 262 | 29747B | 2 | Screw, Torx T-40, 5/16-24 x 21/32" |
| 264A | 650802 | 1 | Screw, 1/4-20 x 5/8" |
| 265 | 33272B | 1 | Cylinder Head Cover |
| 275 | 34185B | 1 | Muffler |
| 276 | 31588 | 1 | Locking Plate |
| 277 | 650729 | 2 | Screw, 5/16-18 x 3-3/16" |
| 281 | 33013 | 1 | Starter Bubble Cover |
| 282 | 650760 | 1 | Screw, 8-32 x 3/8" |
| 285 | 35985B | 1 | Starter Cup |
| 287 | 29752 | 4 | Nut & Lockwasher, 1/4-28 |
| 290 | 30705 | 1 | Fuel Line |
| 292 | 26460 | 2 | Fuel Line Clamp |
| 298 | 28763 | 2 | Screw, 10-32 x 35/64" |
| 300 | 33583B | 1 | Fuel Tank (Incl. 292, 298 & 301) |
| 301 | 36246 | 1 | Fuel Cap |
| 325 | 34246 | 1 | Wire Clip |
| 327 | 35392 | 1 | Starter Plug |
| 370 | 36261 | 1 | Lubrication Decal |
| 370A | 35274 | 1 | Oil Instruction Decal |
| 390 | 590704 | 1 | Rewind Starter (Note: This engine could have been built with 590671 starter. Refer to the design of the rope pulley strength ribs for part identification. Individual starter parts do not interchange. Refer to service bulletin number 518). |

CONTINUED FROM PAGE 2

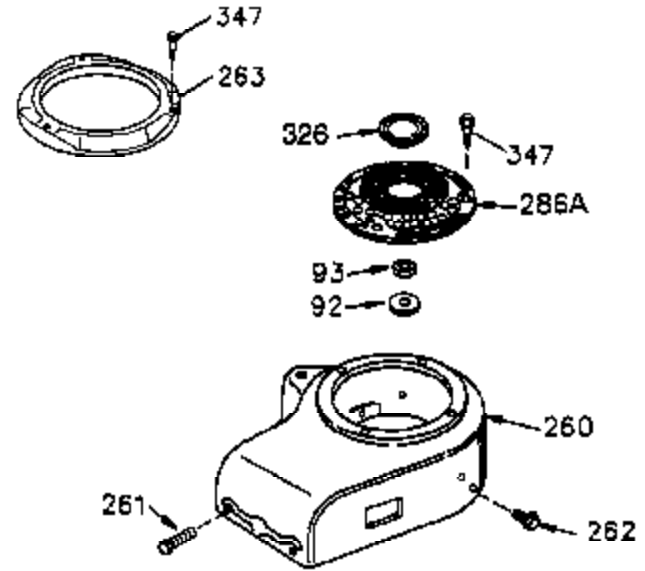
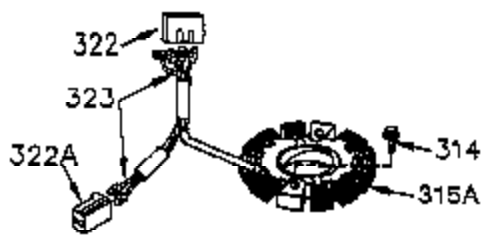
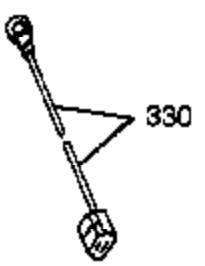


| Ref # | Part Number | Qty | Description |
|-------|-------------|-----|--|
| 30 | 35746B | 1 | Crankshaft |
| 31 | 35327 | 1 | Counterbalance Gear |
| 40 | 34552 | 1 | Piston, Pin & Ring Set (Std.) |
| 40 | 34553 | 1 | Piston, Pin & Ring Set (.010" OS) |
| 40 | 34554 | 1 | Piston, Pin & Ring Set (.020" OS) |
| 41 | 34329A | 1 | Piston & Pin Ass'y. (Std.) (Incl. 43) |
| 41 | 34330A | 1 | Piston & Pin Ass'y. (.010" OS) (Incl. 43) |
| 41 | 34331A | 1 | Piston & Pin Ass'y. (.020" OS) (Incl. 43) |
| 42 | 34332 | 1 | Ring Set (Std.) |
| 42 | 34333 | 1 | Ring Set (.010" OS) |
| 42 | 34334 | 1 | Ring Set (.020" OS) |
| 43 | 27888 | 2 | Piston Pin Retaining Ring |
| 45 | 35373A | 1 | Connecting Rod Ass'y. (Incl. 46 & 47) |
| 46 | 650908 | 1 | Connecting Rod Bolt |
| 47 | 650882 | 1 | Connecting Rod Bolt |
| 48 | 34034 | 2 | Valve Lifter |
| 50 | 35381 | 1 | Camshaft (MCR) |
| 51 | 35747A | 1 | Counterbalance Weight |
| 52 | 31356 | 1 | Oil Pump Ass'y. |
| 64 | 650990 | 1 | Screw, Torx T-30, 1/4-20 x 15/32" |
| 69 | 35317 | 1 | * Mounting Flange Gasket |
| 70 | 35711A | 1 | Mounting Flange (Incl. 72,75,80 & 81) |
| 72 | 31927 | 1 | Oil Drain Plug |
| 75 | 35319 | 1 | Oil Seal |
| 80 | 35783 | 1 | Governor Shaft |
| 81 | 30590A | 2 | Washer |
| 82 | 35378 | 1 | Governor Gear Ass'y. (Incl. 81) |
| 83 | 30588A | 1 | Governor Spool |
| 84 | 29193 | 2 | Retaining Ring |
| 86 | 650833 | 7 | Screw, 1/4-20 x 1-3/16" |
| 88 | 31707A | 1 | Spacer (Incl. 81) |
| 89 | 32589 | 1 | Flywheel Key |
| 123 | 33261 | 1 | Intake Pipe Brace |
| 124 | 650738 | 3 | Screw, 1/4-20 x 5/8" |
| 178 | 29752 | 2 | Nut & Lock Washer, 1/4-28 |
| 182 | 30088A | 2 | Screw, 1/4-28 x 1" |
| 184 | 33263 | 1 | * Carburetor To Intake Pipe Gasket |
| 185 | 34926 | 1 | Intake Pipe |
| 223 | 650378 | 2 | Screw, Torx T-30, 5/16-18 x 1-1/8" |
| 224 | 27915A | 1 | * Intake Pipe Gasket |
| 234 | 650825 | 2 | Nut & Lock Washer, 1/4-20 |
| 238 | 650834 | 2 | Screw, 10-32 x 1-17/32" |
| 239 | 33629 | 1 | * Air Cleaner Gasket |
| 240 | 35538B | 1 | Air Cleaner Body (Incl. 239) |
| 245A | 35404 | 1 | Air Cleaner Filter |
| 245 | 35403 | 1 | Air Cleaner Filter (Incl. 234) |
| 250 | 35961 | 1 | Air Cleaner Cover |
| 251 | 650886 | 2 | Wing Nut, 1/4-20 |
| 292 | 26460 | 2 | Fuel Line Clamp |
| 305 | 35574 | 1 | Oil Fill Tube |
| 307 | 35499 | 1 | "O" Ring |
| 308 | 35437 | 1 | Fill Tube Clip |
| 310 | 35576 | 1 | Dipstick |
| 380 | 632677 | 1 | Carburetor (Incl. 184) |
| 400 | 36450b | 1 | * Gasket Set (Incl. items marked PK in notes) Incl. part #'s 27272A (1), 27896A (2), 27915A (1), 29673 (1), 33263 (1), 33629 (1), 34698A (1), 35317 (1), 36448 (1) |

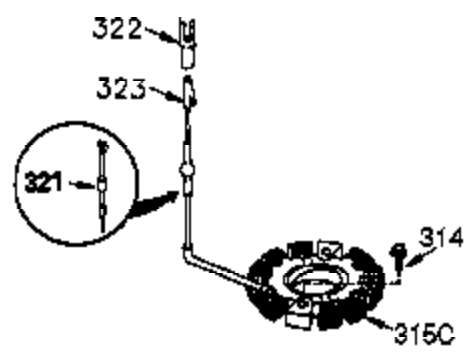
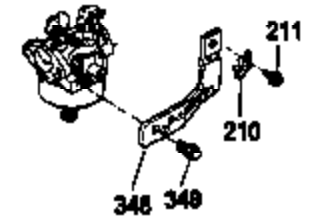
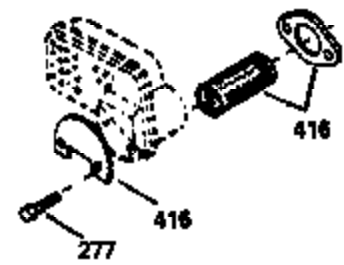
| Ref # | Part Number | Qty | Description |
|-------|-------------|-----|-----------------------------------|
| 420 | 730225 | 1 | SAE 30 4-Cycle Engine Oil (Quart) |



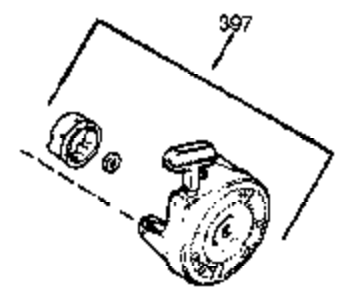
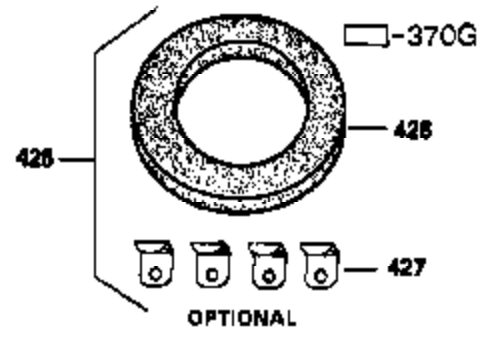
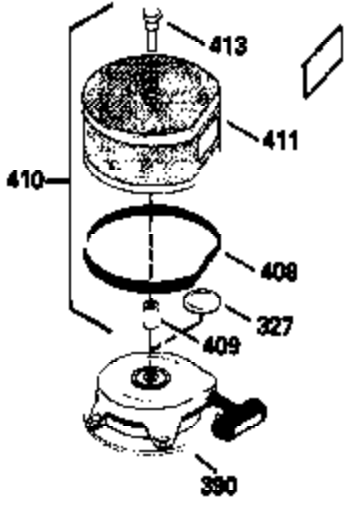
**MUFFLER (QUIET)
(OPTIONAL)**



**OPTIONAL SPARK
ARRESTOR**



**DEBRIS SCREEN KIT
(OPTIONAL)**



OPTIONAL

| Ref # | Part Number | Qty | Description |
|-------|-------------|-----|--|
| 16 | 36494 | 1 | Governor Lever |
| 19A | 36495 | 1 | Extension Spring |
| 64 | 650990 | 1 | Screw, Torx T-30, 1/4-20 x 15/32" |
| 92 | 650880 | 1 | Lock Washer |
| 93 | 650881 | 1 | Flywheel Nut |
| 186 | 33860 | 1 | Governor Link |
| 203 | 36482 | 1 | Compression Spring |
| 204 | 650777 | 1 | Screw, 6-32 x 21/32" |
| 209 | 650902 | 2 | Screw, 10-32 x 7/16" |
| 210 | 27793 | 1 | Conduit Clip |
| 211 | 28942 | 1 | Screw, 10-32 x 3/8" |
| 260 | 33635C | 1 | Blower Housing |
| 261 | 650788 | 2 | Screw, 5/16-18 x 3/4" |
| 262 | 29747B | 2 | Screw, Torx T-40, 5/16-24 x 21/32" |
| 277 | 650729 | 2 | Screw, 5/16-18 x 3-3/16" |
| 327 | 35392 | 1 | Starter Plug |
| 390 | 590704 | 1 | Rewind Starter (Note: This engine could have been built with 590671 starter. Refer to the design of the rope pulley strength ribs for part identification. Individual starter parts do not interchange. Refer to service bulletin number 518). |