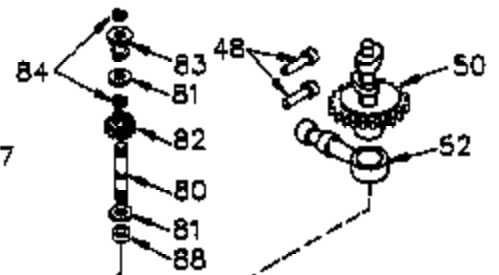
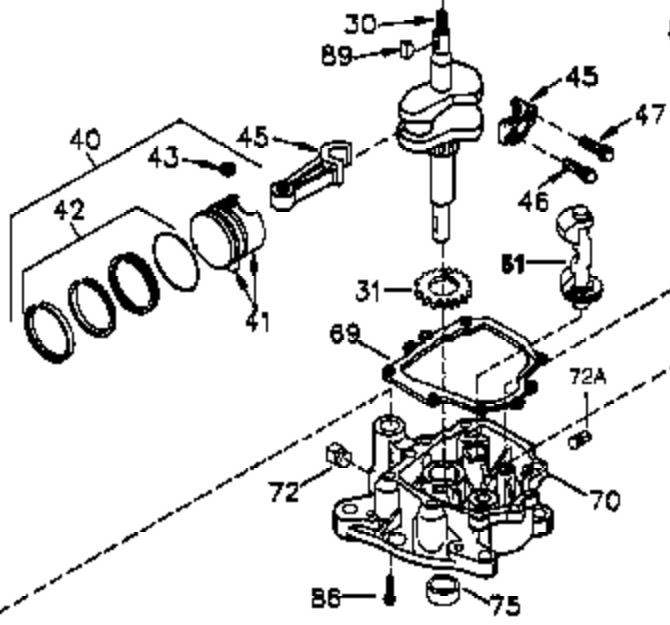
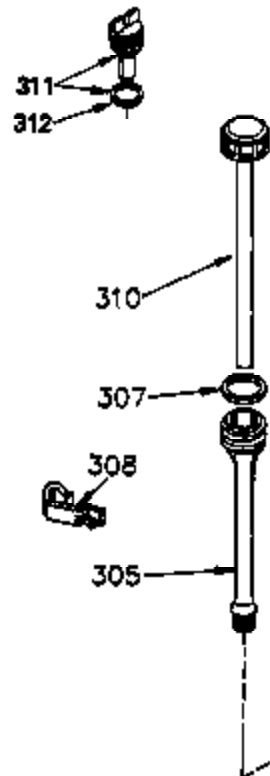
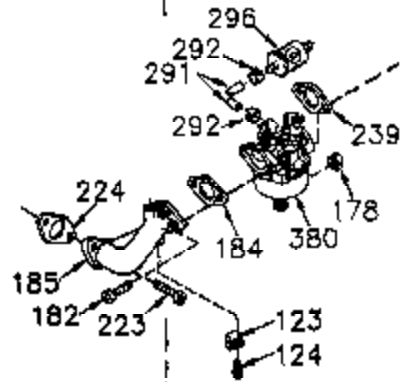
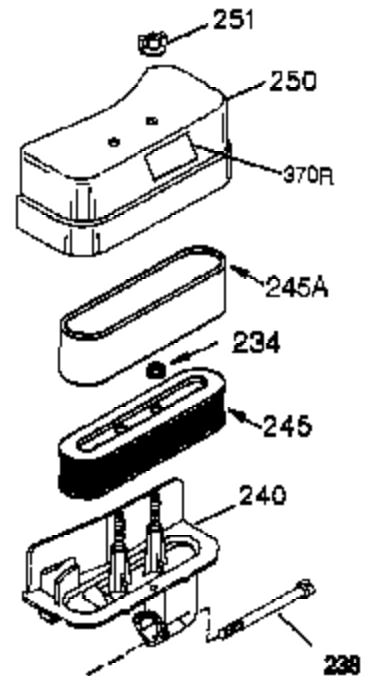


| Ref # | Part Number | Qty | Description |
|-------|-------------|-----|--------------------------------------|
| 1 | 35383A | 1 | Cylinder (Incl. 2 & 20) |
| 2 | 27652 | 2 | Dowel Pin |
| 14 | 28277 | 2 | Washer |
| 15 | 35082 | 1 | Governor Rod |
| 16 | 32651 | 1 | Governor Lever |
| 17 | 29916 | 1 | Governor Lever Clamp |
| 18 | 650548 | 1 | Screw, 8-32 x 5/16" |
| 19A | 34043 | 1 | Extension Spring |
| 19 | 35203 | 1 | Control Spring |
| 20 | 35319 | 1 | Oil Seal |
| 25 | 36460 | 1 | Blower Housing Baffle |
| 26 | 650561 | 2 | Screw, 1/4-20 x 5/8" |
| 28 | 30322 | 1 | Lock Nut, 8-32 |
| 35 | 29826 | 1 | Screw, 10-32 x 3/4" |
| 36 | 29918 | 1 | Lock Washer |
| 37 | 29216 | 1 | Lock Nut, 10-32 |
| 38 | 29642 | 1 | Retaining Ring |
| 60 | 33273A | 1 | Blower Housing Extension |
| 64 | 650990 | 1 | Screw, 5/16-18 x 15/32" |
| 65 | 650128 | 1 | Screw, 10-24 x 1/2" |
| 90 | 611090 | 1 | Flywheel |
| 92 | 650880 | 1 | Lock Washer |
| 93 | 650881 | 1 | Flywheel Nut |
| 100 | 35135 | 1 | Solid State Ignition |
| 101 | 610118 | 1 | Spark Plug Cover |
| 102 | 650872 | 2 | Solid State Mounting Stud |
| 103 | 651007 | 2 | Screw, Torx T-15, 10-24 x 15/16" |
| 110 | 35195A | 1 | Ground Wire |
| 119 | 36448 | 1 | * Cylinder Head Gasket |
| 120 | 36449 | 1 | Cylinder Head |
| 125 | 27878A | 1 | Exhaust Valve (Std.) (Incl. 151) |
| 125 | 27880A | 1 | Exhaust Valve (1/32" OS) (Incl. 151) |
| 126 | 34036 | 1 | Intake Valve (1/32" OS) (Incl. 151) |
| 126 | 34035 | 1 | Intake Valve (Std.) (Incl. 151) |
| 127 | 650691 | 9 | Washer |
| 128 | 650690 | 9 | Belleville Washer |
| 130 | 650694A | 9 | Screw, 5/16-18 x 2" |
| 135 | 33636 | 1 | Resistor Spark Plug (RJ17LM) |
| 149 | 27882 | 1 | Valve Spring Cap |
| 149A | 35862 | 1 | Valve Spring Cap |
| 150 | 27881 | 2 | Valve Spring |
| 151 | 32581 | 2 | Valve Spring Keeper |
| 169 | 27896A | 2 | * Valve Cover Gasket |
| 170 | 28423 | 1 | Breather Body |
| 171 | 28424 | 1 | Breather Element |
| 172 | 28425 | 1 | Valve Cover |
| 173 | 35350 | 1 | Breather Tube |
| 174 | 650128 | 2 | Screw, 10-24 x 1/2" |
| 186 | 33860 | 1 | Governor Link |
| 200 | 35201 | 1 | Control Bracket |
| 201 | 35202A | 1 | Override Control Bracket |
| 202 | 36482 | 1 | Compressoin Spring |
| 205 | 650777 | 1 | Screw, 6-32 x 21/32" |
| 209 | 30200 | 2 | Screw, 10-24 x 9/16" |
| 209A | 30312 | 1 | Screw, 10-32 x 1/2" |
| 210 | 27793 | 1 | Conduit Clip |
| 211 | 28942 | 1 | Screw, 10-32 x 3/8" |
| 260 | 34094B | 1 | Blower Housing |

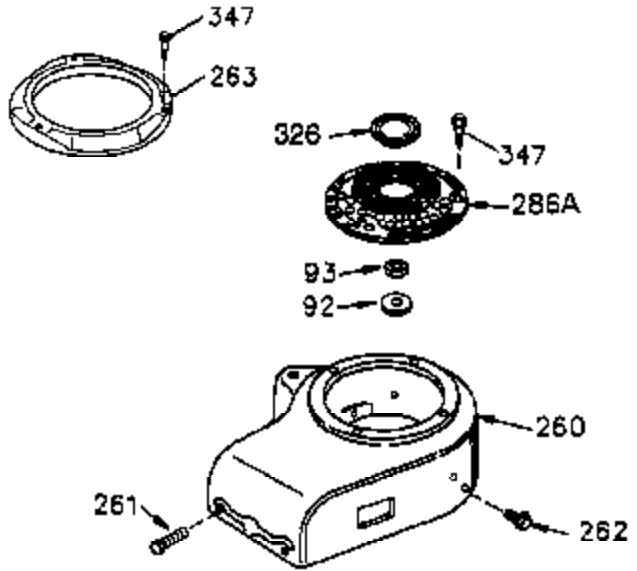
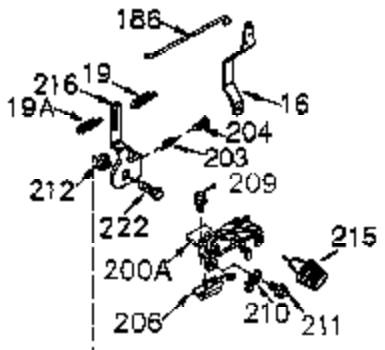
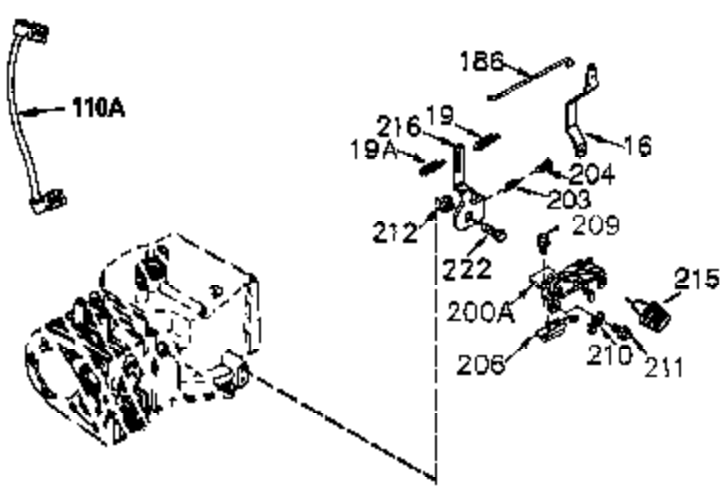
| Ref # | Part Number | Qty | Description |
|-------|-------------|-----|--|
| 261 | 650788 | 2 | Screw, 5/16-18 x 3/4" |
| 262 | 29747B | 2 | Screw, Torx T-40, 5/16-24 x 21/32" |
| 264A | 650802 | 1 | Screw, 1/4-20 x 5/8" |
| 265 | 33272B | 1 | Cylinder Head (Black) |
| 275 | 34185B | 1 | Muffler |
| 276 | 31588 | 1 | Locking Plate |
| 277 | 650729 | 2 | Screw, 5/16-18 x 3-3/16" |
| 281 | 33013 | 1 | Starter Bubble Cover |
| 282 | 650760 | 1 | Screw, 8-32 x 3/8" |
| 285 | 35985B | 1 | Starter Cup |
| 287 | 29752 | 4 | Nut & Lockwasher, 1/4-28 |
| 290 | 34357 | 1 | Fuel Line |
| 292 | 26460 | 2 | Fuel Line Clamp |
| 308A | 33997 | 1 | Fill Tube Clip |
| 325 | 29443 | 1 | Wire Clip |
| 327 | 35392 | 1 | Starter Decal |
| 355 | 590701 | 1 | Starter Handle |
| 370 | 36261 | 1 | Lubrication Decal |
| 370A | 35274 | 1 | Oil Instruction Decal |
| 390 | 590704 | 1 | Rewind Starter (Note: This engine could have been built with 590671 starter. Refer to the design of the rope pulley strength robs for part identification. Individual starter parts do not interchange.) |

CONTINUED FROM PAGE 2



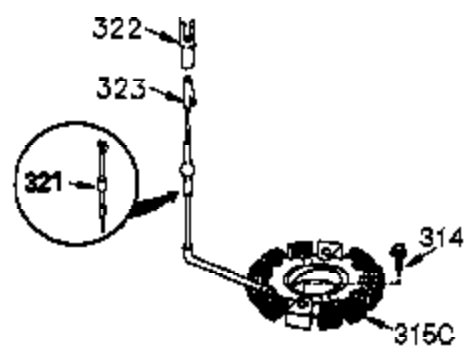
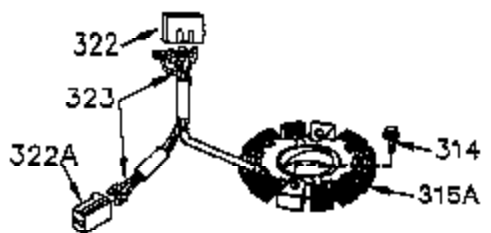
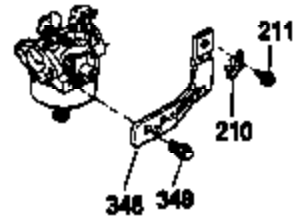
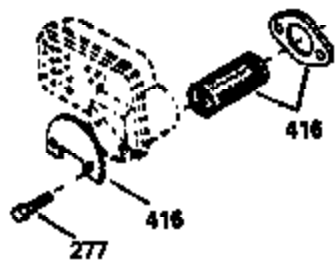
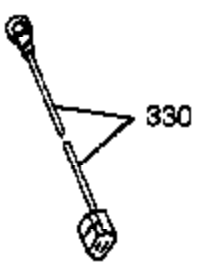
| Ref # | Part Number | Qty | Description |
|-------|-------------|-----|---|
| 19 | 35203 | 1 | Control Spring |
| 30 | 35380A | 1 | Crankshaft |
| 40 | 34552 | 1 | Piston, Pin & Ring Set (Std.) |
| 40 | 34553 | 1 | Piston, Pin & Ring Set (.010" OS) |
| 40 | 34554 | 1 | Piston, Pin & Ring Set (.020" OS) |
| 41 | 34329A | 1 | Piston & Pin Ass'y. (Std.) (Incl. 43) |
| 41 | 34330A | 1 | Piston & Pin Ass'y. (.010" OS) (Incl. 43) |
| 41 | 34331A | 1 | Piston & Pin Ass'y. (.020" OS) (Incl. 43) |
| 42 | 34332 | 1 | Ring Set (Std.) |
| 42 | 34333 | 1 | Ring Set (.010" OS) |
| 42 | 34334 | 1 | Ring Set (.020" OS) |
| 43 | 27888 | 2 | Piston Pin Retaining Ring |
| 45 | 35373A | 1 | Connecting Rod Ass'y. (Incl. 46 & 47) |
| 46 | 650908 | 1 | Connecting Rod Bolt |
| 47 | 650882 | 1 | Connecting Rod Bolt |
| 48 | 34034 | 2 | Valve Lifter |
| 50 | 35381 | 1 | Camshaft (MCR) |
| 52 | 31356 | 1 | Oil Pump Ass'y. |
| 64 | 650990 | 1 | Screw, 5/16-18 x 15/32" |
| 69 | 35262A | 1 | * Mounting Flange Gasket |
| 70 | 35382A | 1 | Mounting Flange (Incl. 72,75,80 & 81) |
| 72 | 31927 | 1 | Oil Drain Plug |
| 75 | 35319 | 1 | Oil Seal |
| 80 | 30668 | 1 | Governor Shaft |
| 81 | 30590A | 2 | Washer |
| 82 | 35378 | 1 | Governor Gear Ass'y. (Incl. 81) |
| 83 | 30588A | 1 | Governor Spool |
| 84 | 29193 | 2 | Retaining Ring |
| 86 | 650833 | 8 | Screw, 1/4-20 x 1-3/16" |
| 88 | 31707A | 1 | Spacer (Incl. 81) |
| 89 | 32589 | 1 | Flywheel Key |
| 123 | 33261 | 1 | Intake Pipe Brace |
| 124 | 650738 | 3 | Screw, 1/4-20 x 5/8" |
| 178 | 29752 | 2 | Nut & Lock Washer, 1/4-28 |
| 182 | 30088A | 2 | Screw, 1/4-28 x 1" |
| 184 | 33263 | 1 | * Carburetor To Intake Pipe Gasket |
| 185 | 34926 | 1 | Intake Pipe |
| 201 | 35202A | 1 | Override Control Bracket |
| 202 | 36482 | 1 | Compressoin Spring |
| 205 | 650777 | 1 | Screw, 6-32 x 21/32" |
| 209A | 30312 | 1 | Screw, 10-32 x 1/2" |
| 223 | 650378 | 2 | Screw, Torx T-30, 5/16-18 x 1-1/8" |
| 224 | 27915A | 1 | * Intake Pipe Gasket |
| 234 | 650825 | 2 | Nut & Lock Washer, 1/4-20 |
| 238 | 650834 | 2 | Screw, 10-32 x 1-17/32" |
| 239 | 33629 | 1 | * Air Cleaner Gasket |
| 240 | 35538B | 1 | Air Cleaner Body (Incl. 239) |
| 245 | 35403 | 1 | Air Cleaner Filter (Incl. 324) |
| 245A | 35404 | 1 | Air Cleaner Filter |
| 250 | 35961 | 1 | Air Cleaner Cover |
| 251 | 650886 | 2 | Wing Nut, 1/4-20 |
| 292 | 26460 | 2 | Fuel Line Clamp |
| 296 | 34279B | 1 | Fuel Filter (Incl. 292) |
| 305 | 35574 | 1 | Oil Fill Tube |
| 307 | 35499 | 1 | "O" Ring |
| 308 | 35437 | 1 | Fill Tube Clip |
| 310 | 35576 | 1 | Dipstick |
| 355 | 590701 | 1 | Starter Handle |

| Ref # | Part Number | Qty | Description |
|-------|-------------|-----|--|
| 380 | 632238 | 1 | Carburetor (Incl. 184) |
| 400 | 36450A | 1 | * Gasket Set (Incl. items marked PK i n notes) Incl. part #'s 27272A (1), 27896A (2), 27915A (1), 29673 (1), 33263 (1), 33629 (1), 34698A (1), 35262A (1), 36448 (1) |
| 420 | 730225 | 1 | SAE 30 4-Cycle Engine Oil (Quart) |

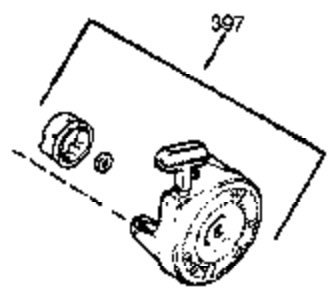
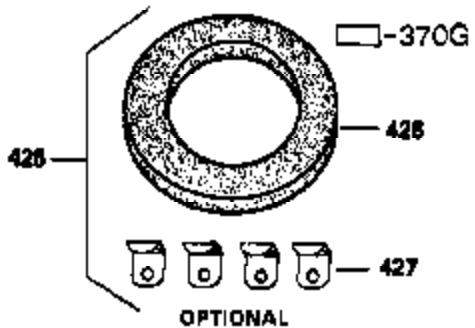
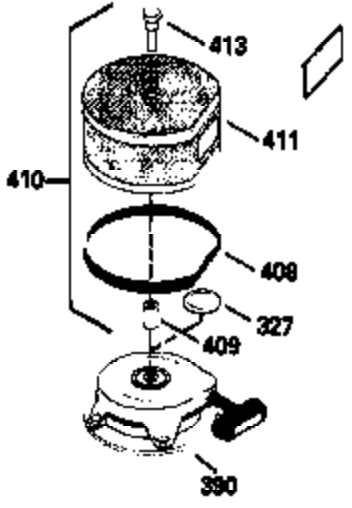


**MUFFLER (QUIET)
 (OPTIONAL)**

**OPTIONAL SPARK
 ARRESTOR**



**DEBRIS SCREEN KIT
 (OPTIONAL)**



OPTIONAL

| Ref # | Part Number | Qty | Description |
|-------|-------------|-----|--|
| 16 | 32651 | 1 | Governor Lever |
| 19 | 35203 | 1 | Control Spring |
| 19A | 34043 | 1 | Extension Spring |
| 64 | 650990 | 1 | Screw, 5/16-18 x 15/32" |
| 92 | 650880 | 1 | Lock Washer |
| 93 | 650881 | 1 | Flywheel Nut |
| 186 | 33860 | 1 | Governor Link |
| 201 | 35202A | 1 | Override Control Bracket |
| 202 | 36482 | 1 | Compressoin Spring |
| 205 | 650777 | 1 | Screw, 6-32 x 21/32" |
| 206 | 610973 | 1 | Terminal |
| 209A | 30312 | 1 | Screw, 10-32 x 1/2" |
| 209 | 30200 | 2 | Screw, 10-24 x 9/16" |
| 210 | 27793 | 1 | Conduit Clip |
| 211 | 28942 | 1 | Screw, 10-32 x 3/8" |
| 212 | 35550 | 1 | Bushing |
| 260 | 34094B | 1 | Blower Housing |
| 261 | 650788 | 2 | Screw, 5/16-18 x 3/4" |
| 262 | 29747B | 2 | Screw, Torx T-40, 5/16-24 x 21/32" |
| 277 | 650729 | 2 | Screw, 5/16-18 x 3-3/16" |
| 327 | 35392 | 1 | Starter Decal |
| 355 | 590701 | 1 | Starter Handle |
| 390 | 590704 | 1 | Rewind Starter (Note: This engine could have been built with 590671 starter. Refer to the design of the rope pulley strength robs for part inentification. Individual starter parts do not interchange.) |