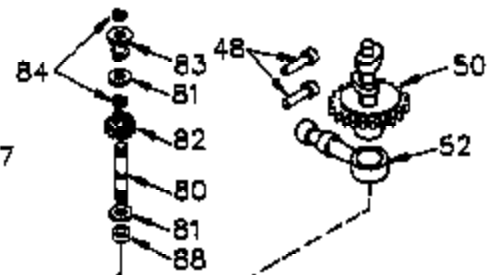
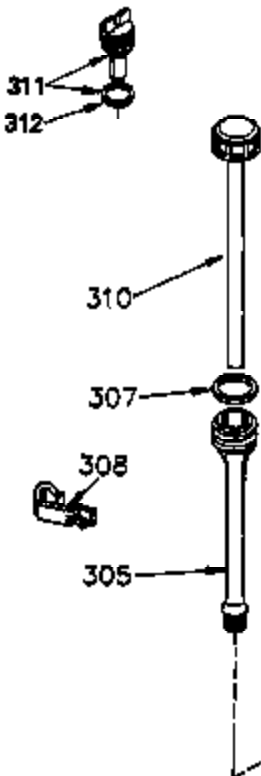
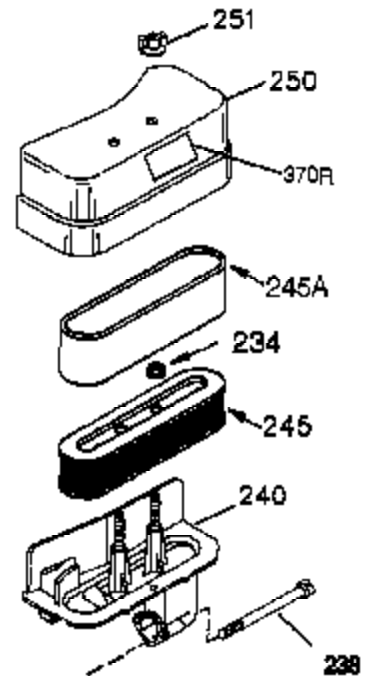


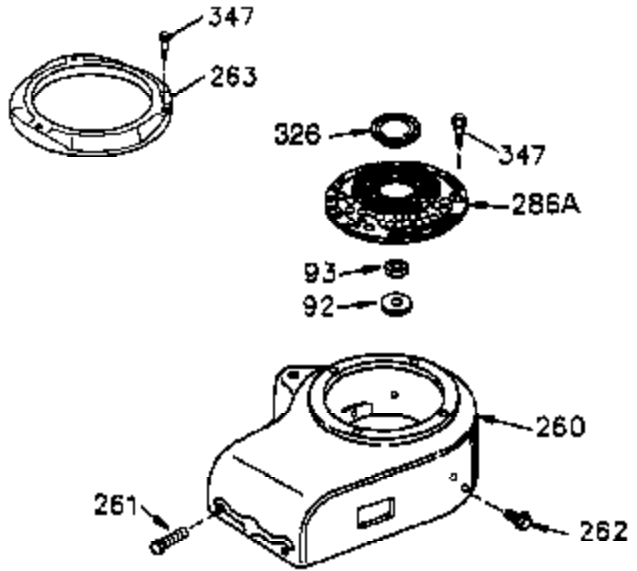
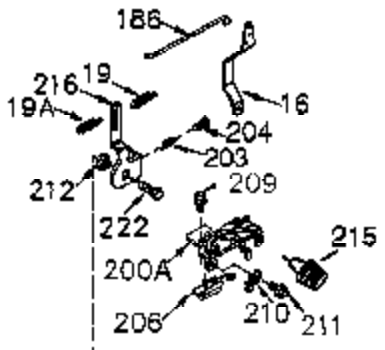
Ref #	Part Number	Qty	Description
	1 35745	1	Cylinder (Incl. 2 & 20)
	2 27652	2	Dowel Pin
	14 28277	2	Washer
	15 35082	1	Governor Rod
	16 32651	1	Governor Lever
	17 29916	1	Governor Lever Clamp
	18 650548	1	Screw, 8-32 x 5/16"
	19A 35203	1	Control Spring
	19A 34043	1	Extension Spring
	20 35319	1	Oil Seal
	25 36460	1	Blower Housing Baffle
	26 650561	2	Screw, 1/4-20 x 5/8"
	28 30322	1	Lock Nut, 8-32
	35 29826	1	Screw, 10-32 x 3/4"
	36 29918	1	Lock Washer
	37 29216	1	Lock Nut, 10-32
	38 29642	1	Retaining Ring
	60 33273A	1	Blower Housing Extension
	65 650128	1	Screw, 10-24 x 1/2"
	66 650990	1	Screw, Torx T-30, 1/4-20 x 15/32"
	90 611093	1	Flywheel
	92 650880	1	Lock Washer
	93 650881	1	Flywheel Nut
	100 35135	1	Solid State Ignition
	101 610118	1	Spark Plug Cover
	102 650872	2	Solid State Mounting Stud
	103 651007	2	Screw, Torx T-15, 10-24 x 15/16"
	110 35195A	1	Ground Wire
	119 36448	1	* Cylinder Head Gasket
	120 36449	1	Cylinder Head
	125 27878A	1	Exhaust Valve (Std.) (Incl. 151)
	125 27880A	1	Exhaust Valve (1/32" OS) (Incl. 151)
	126 34035	1	Intake Valve (Std.) (Incl. 151)
	126 34036	1	Intake Valve (1/32" OS) (Incl. 151)
	127 650691	9	Washer
	128 650690	9	Belleville Washer
	130 650694A	9	Screw, 5/16-18 x 2"
	135 33636	1	Resistor Spark Plug (RJ17LM)
	149A 35862	1	Valve Spring Cap
	149 27882	1	Valve Spring Cap
	150 27881	2	Valve Spring
	151 32581	2	Valve Spring Keeper
	169 27896A	2	* Valve Cover Gasket
	170 28423	1	Breather Body
	171 28424	1	Breather Element
	172 28425	1	Valve Cover
	173 35350	1	Breather Tube
	174 650128	2	Screw, 10-24 x 1/2"
	186 33860	1	Governor Link
	200 35201	1	Control Bracket
	203 36482	1	Compressions Spring
	204 650777	1	Screw, 6-32 x 21/32"
	209 30200	2	Screw, 10-24 x 9/16"
	210 27793	1	Conduit Clip
	211 28942	1	Screw, 10-32 x 3/8"
	260 34094B	1	Blower Housing
	261 650788	2	Screw, 5/16-18 x 3/4"
	262 29747B	2	Screw, Torx T-40, 5/16-24 x 21/32"

Ref #	Part Number	Qty	Description
264A	650738	1	Screw, 1/4-20 x 5/8"
265	33272B	1	Cylinder Head Cover
281	33013	1	Starter Bubble Cover
282	650760	1	Screw, 8-32 x 3/8"
285	35985B	1	Starter Cup
287	29752	4	Nut & Lockwasher, 1/4-28
290	34357	1	Fuel Line
292	26460	2	Fuel Line Clamp
314	650873	2	Screw, 1/4-20 x 3/4"
315	611113	1	Alternator Coil (3 Amp)(Incl. 321,322 & 323)
321	611161	1	Diode
322	610921	1	Connector Body
323	610922	1	Terminal
324	33177	1	Terminal
325A	27275	1	Wire Clip
325	29443	1	Wire Clip
370K	35392	1	Starter Decal
370A	35274	1	Oil Instruction Decal
370	36261	1	Lubrication Decal
390	590704	1	Rewind Starter (Note: This engine could have been built with 590671 starter. Refer to the design of the rope pulley strength ribs for part identification. Individual starter parts do not interchange. Refer to service bulletin number 518).

CONTINUED FROM PAGE 2

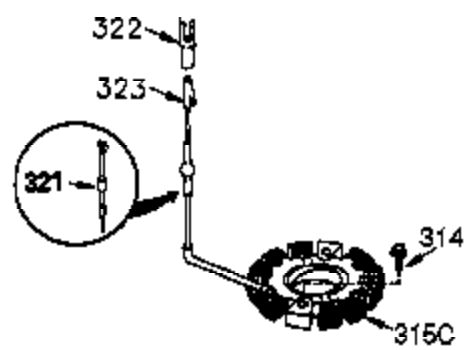
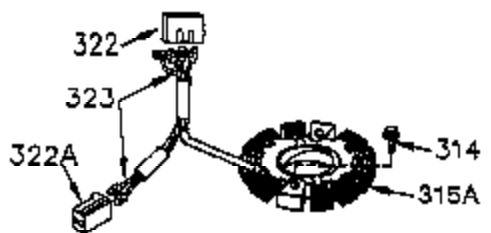
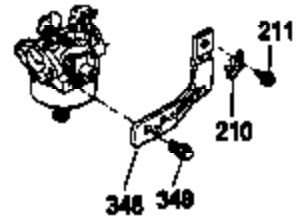
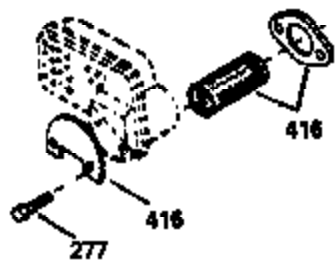
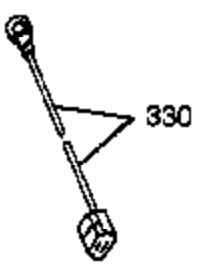


Ref #	Part Number	Qty	Description
30	35746B	1	Crankshaft
31	35327	1	Counterbalance Gear
40	34552	1	Piston, Pin & Ring Set (Std.)
40	34553	1	Piston, Pin & Ring Set (.010" OS)
40	34554	1	Piston, Pin & Ring Set (.020" OS)
41	34329A	1	Piston & Pin Ass'y. (Std.) (Incl. 43)
41	34330A	1	Piston & Pin Ass'y. (.010" OS) (Incl. 43)
41	34331A	1	Piston & Pin Ass'y. (.020" OS) (Incl. 43)
42	34332	1	Ring Set (Std.)
42	34333	1	Ring Set (.010" OS)
42	34334	1	Ring Set (.020" OS)
43	27888	2	Piston Pin Retaining Ring
45	35373A	1	Connecting Rod Ass'y. (Incl. 46 & 47)
46	650908	1	Connecting Rod Bolt
47	650882	1	Connecting Rod Bolt
48	34034	2	Valve Lifter
50	35381	1	Camshaft (MCR)
51	35747A	1	Counterbalance Weight
52	31356	1	Oil Pump Ass'y.
69	35317	1	* Mounting Flange Gasket
70	35711A	1	Mounting Flange (Incl. 72,75,80 & 81)
72	31927	1	Oil Drain Plug
75	35319	1	Oil Seal
80	35783	1	Governor Shaft
81	30590A	2	Washer
82	35378	1	Governor Gear Ass'y. (Incl. 81)
83	30588A	1	Governor Spool
84	29193	2	Retaining Ring
86	650833	8	Screw, 1/4-20 x 1-3/16"
88	31707A	1	Spacer (Incl. 81)
89	32589	1	Flywheel Key
123	33261	1	Intake Pipe Brace
124	650738	3	Screw, 1/4-20 x 5/8"
178	29752	2	Nut & Lock Washer, 1/4-28
182	30088A	2	Screw, 1/4-28 x 1"
184	33263	1	* Carburetor To Intake Pipe Gasket
185	34926	1	Intake Pipe
223	650378	2	Screw, Torx T-30, 5/16-18 x 1-1/8"
224	27915A	1	* Intake Pipe Gasket
234	650825	2	Nut & Lock Washer, 1/4-20
238	650834	2	Screw, 10-32 x 1-17/32"
239	33629	1	* Air Cleaner Gasket
240	35538B	1	Air Cleaner Body (Incl. 239)
245	35403	1	Air Cleaner Filter (Incl. 251A)
245	35404	1	Air Cleaner Filter
250	35961	1	Air Cleaner Cover
251	650886	2	Wing Nut, 1/4-20
292	26460	2	Fuel Line Clamp
311	34245	1	Oil Fill Plug
312	29673	1	Oil Fill Plug Gasket
380	632238	1	Carburetor (Incl. 184)
400	36450	1	* Gasket Set (Incl. items marked PK i n notes) Incl. part #'s 27272A (1), 27896A (2), 27915A (1), 29673 (1), 33263 (1), 33629 (1), 34698A (1), 35262 (1), 36448 (1)
420	730225	1	SAE 30 4-Cycle Engine Oil (Quart)

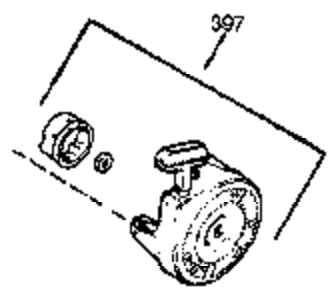
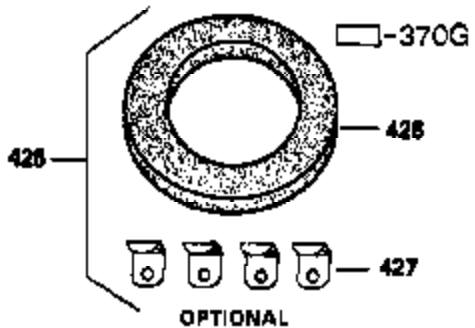
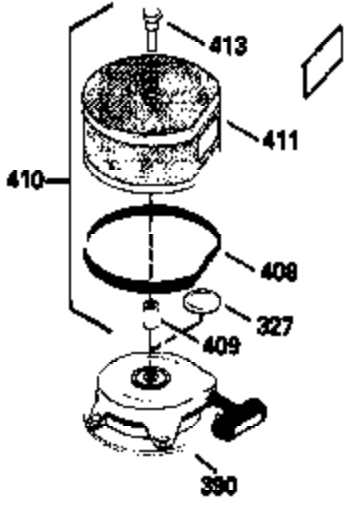


**MUFFLER (QUIET)
 (OPTIONAL)**

**OPTIONAL SPARK
 ARRESTOR**



**DEBRIS SCREEN KIT
 (OPTIONAL)**



Ref #	Part Number	Qty	Description
16	32651	1	Governor Lever
19A	35203	1	Control Spring
19A	34043	1	Extension Spring
92	650880	1	Lock Washer
93	650881	1	Flywheel Nut
186	33860	1	Governor Link
203	36482	1	Compressions Spring
204	650777	1	Screw, 6-32 x 21/32"
206	610973	1	Terminal
209	30200	2	Screw, 10-24 x 9/16"
210	27793	1	Conduit Clip
211	28942	1	Screw, 10-32 x 3/8"
212	35550	1	Bushing
216	35202A	1	R.P.M. Adj. Lever (Incl. 19A, 121, 22 2 & 239)
222	30312	1	Screw, 10-32 x 1/2"
260	34094B	1	Blower Housing
261	650788	2	Screw, 5/16-18 x 3/4"
262	29747B	2	Screw, Torx T-40, 5/16-24 x 21/32"
314	650873	2	Screw, 1/4-20 x 3/4"
321	611161	1	Diode
322	610921	1	Connector Body
323	610922	1	Terminal
390	590704	1	Rewind Starter (Note: This engine could have been built with 590671 starter. Refer to the design of the rope pulley strength ribs for part identification. Individual starter parts do not interchange. Refer to service bulletin number 518).