

ILLUSTRATION SHOWS TYPICAL PARTS ONLY. ORDER BY PART NUMBER. PARTS NOT LISTED ARE SUPPLIED BY OEM.

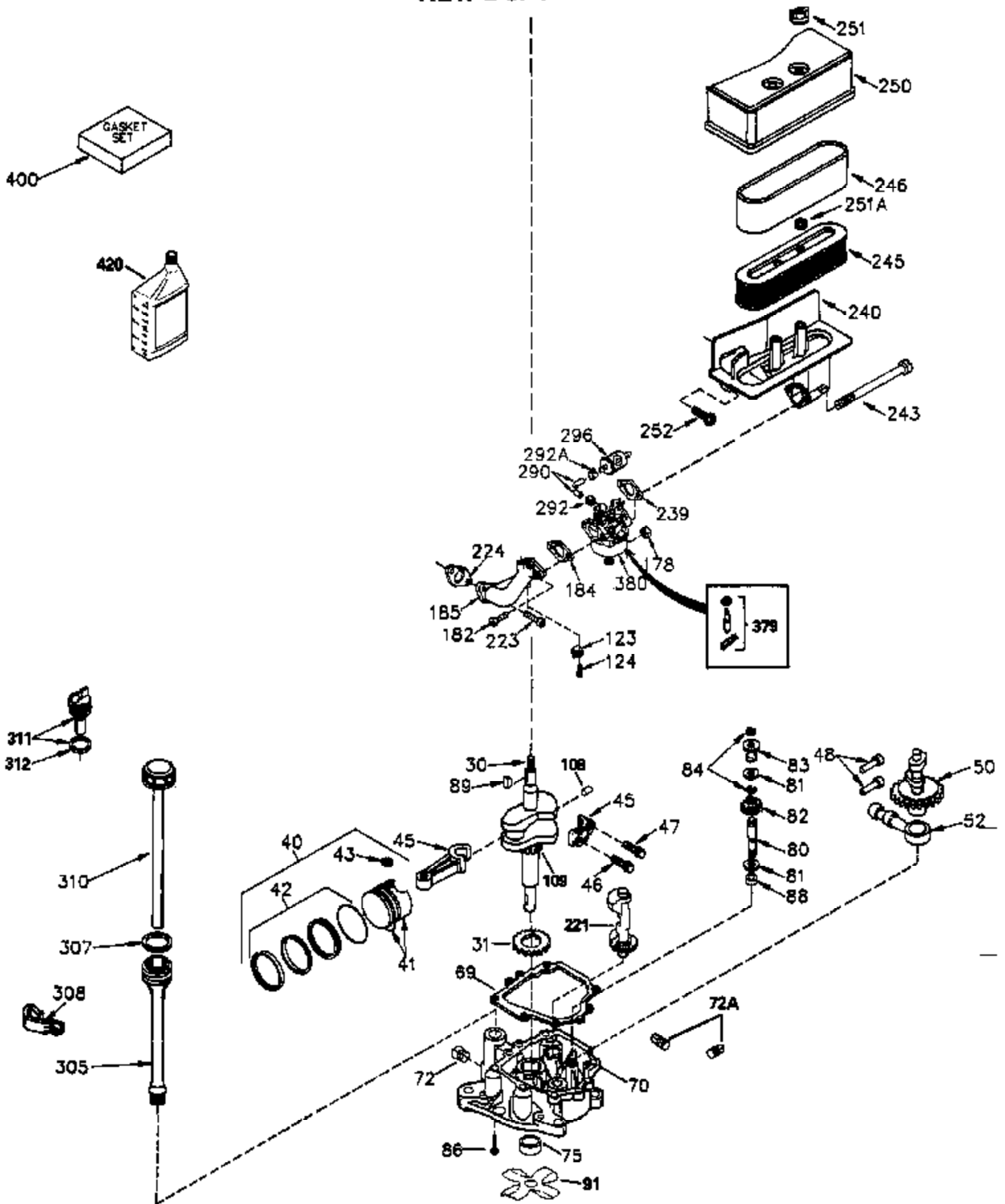


Ref #	Part Number	Qty	Description
	1 35745	1	Cylinder (Incl. 2 & 20)
	2 27652	2	Dowel Pin
	14 28277	2	Washer
	15 35082	1	Governor Rod
	16 36494	1	Governor Lever
	17 29916	1	Governor Lever Clamp
	18 650548	1	Screw, 8-32 x 5/16"
	19A 36495	1	Extension Spring
	20 35319	1	Oil Seal
	25 36460	1	Blower Housing Baffle
	26 650561	2	Screw, 1/4-20 x 5/8"
	28 30322	1	Lock Nut, 8-32
	35 29826	1	Screw, 10-32 x 3/4"
	36 29918	1	Lock Washer
	37 29216	1	Lock Nut, 10-32
	38 29642	1	Retaining Ring
	51 35747A	1	Counterbalance Weight
	60 33273A	1	Blower Housing Extension
	65 650128	1	Screw, 10-24 x 1/2"
	66 650990	1	Screw, 5/16-18 x 15/32"
	90 611093	1	Flywheel
	92 650880	1	Lock Washer
	93 650881	1	Flywheel Nut
	100 35135	1	Solid State Ignition
	101 610118	1	Spark Plug Cover
	102 650872	2	Solid State Mounting Stud
	103 650814	2	Screw, Torx T-15, 10-24 x 1"
	110 36225	1	Ground Wire
	119 36448	1	* Cylinder Head Gasket
	120 36449	1	Cylinder Head
	125 27878A	1	Exhaust Valve (Std.) (Incl. 151)
	125 27880A	1	Exhaust Valve (1/32" OS) (Incl. 151)
	126 34036	1	Intake Valve (1/32" OS) (Incl. 151)
	126 34035	1	Intake Valve (Std.) (Incl. 151)
	127 650691	9	Washer
	128 650690	9	Belleville Washer
	130 650694A	9	Screw, 5/16-18 x 2"
	135 33636	1	Resistor Spark Plug (RJ17LM)
	149 27882	1	Valve Spring Cap
	149A 35862	1	Valve Spring Cap
	150 27881	2	Valve Spring
	151 32581	2	Valve Spring Keeper
	169 27896A	2	* Valve Cover Gasket
	170 28423	1	Breather Body
	171 28424	1	Breather Element
	172 28425	1	Valve Cover
	173 35350	1	Breather Tube
	174 650128	2	Screw, 10-24 x 1/2"
	186 33860	1	Governor Link
	200 36233	1	Control Bracket (Incl. 203 & 204)
	209 650902	2	Screw, 10-32 x 7/16"
	210 27793	2	Conduit Clip
	211 28942	1	Screw, 10-32 x 3/8"
	234 650825	2	Nut & Lock Washer, 1/4-20
	238 650834	2	Screw, 10-32 x 1-17/32"
	260 36292	1	Blower Housing
	261 650788	2	Screw, 5/16-18 x 3/4"
	262 29747B	2	Screw, Torx T-40, 5/16-24 x 21/32"

Ref #	Part Number	Qty	Description
263	35963	1	Trim Ring
264	650802	1	Screw, 1/4-20 x 5/8"
265	33272B	1	Cylinder Head Cover
275	36506A	1	Muffler
277	650729	2	Screw, 5/16-18 x 3-3/16"
286	35962	1	Cup & Screen
290	30962	1	Fuel Line
292	26460	2	Fuel Line Clamp
308A	33997	1	Fill Tube Clip
314	650873	2	Screw, 1/4-20 x 3/4"
315	611113	1	Alternator Coil (3 Amp)(Incl. 321,322 & 323)
321	611161	1	Diode
322	610921	1	Connector Body
323	610922	1	Terminal
324	33177	1	Terminal
325	34246	1	Wire Clip
325A	27275	1	Wire Clip
326	36210	1	Starter Plug
347	650949	3	Screw, 10-32 x 9/16
361	650990	4	Screw, Torx T-30, 1/4-20 x 15/32"
370A	35274	1	Oil Instruction Decal
370	36261	1	Lubrication Decal
394A	650948	1	Washer

ILLUSTRATION SHOWS TYPICAL PARTS ONLY. ORDER BY PART NUMBER. PARTS NOT LISTED ARE SUPPLIED BY OEM.

VIEW 2 of 4

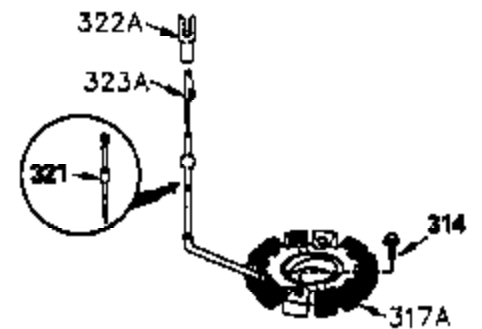
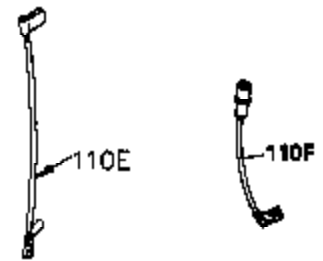
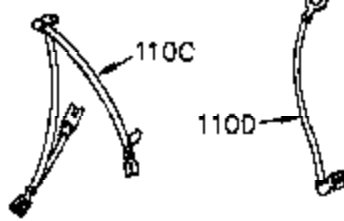
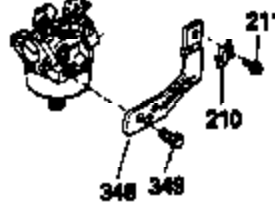


Ref #	Part Number	Qty	Description
28	30322	1	Lock Nut, 8-32
30	35802A	1	Crankshaft
31	35327	1	Counterbalance Gear
40	34552	1	Piston, Pin & Ring Set (Std.)
40	34553	1	Piston, Pin & Ring Set (.010" OS)
40	34554	1	Piston, Pin & Ring Set (.020" OS)
41	34329A	1	Piston & Pin Ass'y. (Std.) (Incl. 43)
41	34330A	1	Piston & Pin Ass'y. (.010" OS) (Incl. 43)
41	34331A	1	Piston & Pin Ass'y. (.020" OS) (Incl. 43)
42	34332	1	Ring Set (Std.)
42	34333	1	Ring Set (.010" OS)
42	34334	1	Ring Set (.020" OS)
43	27888	2	Piston Pin Retaining Ring
45	35373A	1	Connecting Rod Ass'y. (Incl. 46 & 47)
46	650908	1	Connecting Rod Bolt
47	650882	1	Connecting Rod Bolt
48	34034	2	Valve Lifter
50	35381	1	Camshaft (MCR)
51	35747A	1	Counterbalance Weight
52	31356	1	Oil Pump Ass'y.
66	650990	1	Screw, 5/16-18 x 15/32"
69	35317	1	* Mounting Flange Gasket
70	35711A	1	Mounting Flange (Incl. 72,75,80 & 81)
72	31927	1	Oil Drain Plug
75	35319	1	Oil Seal
80	35783	1	Governor Shaft
81	30590A	2	Washer
82	35378	1	Governor Gear Ass'y. (Incl. 81)
83	30588A	1	Governor Spool
84	29193	2	Retaining Ring
86	650833	8	Screw, 1/4-20 x 1-3/16"
88	31707A	1	Spacer (Incl. 81)
89	32589	1	Flywheel Key
123	33261	1	Intake Pipe Brace
124	650738	3	Screw, 1/4-20 x 5/8"
178	29752	2	Nut & Lock Washer, 1/4-28
182	30088A	2	Screw, 1/4-28 x 1"
184	33263	1	* Carburetor To Intake Pipe Gasket
185	34926	1	Intake Pipe
223	650378	2	Screw, Torx T-30, 5/16-18 x 1-1/8"
224	27915A	1	* Intake Pipe Gasket
234	650825	2	Nut & Lock Washer, 1/4-20
238	650834	2	Screw, 10-32 x 1-17/32"
239	33629	1	* Air Cleaner Gasket
240	35538B	1	Air Cleaner Body (Incl. 239)
245	35403	1	Air Cleaner Filter (Incl. 234)
250	35961	1	Air Cleaner Cover
251	650886	2	Wing Nut, 1/4-20
263	35963	1	Trim Ring
290	30962	1	Fuel Line
292	26460	2	Fuel Line Clamp
296	34279B	1	Fuel Filter
305	35574	1	Oil Fill Tube
307	35499	1	"O" Ring
308	35437	1	Fill Tube Clip
310	35576	1	Dipstick
315	611113	1	Alternator Coil (3 Amp)(Incl. 321,322 & 323)
326	36210	1	Starter Plug

Ref #	Part Number	Qty	Description
347	650949	3	Screw, 10-32 x 9/16
380	632530	1	Carburetor (Incl. 184)
394A	650948	1	Washer
400	36450A	1	* Gasket Set (Incl. items marked PK i n notes) Incl. part #'s 27272A (1), 27896A (2), 27915A (1), 29673 (1), 33263 (1), 33629 (1), 34698A (1), 35262A (1), 36448 (1)
420	730225	1	SAE 30 4-Cycle Engine Oil (Quart)

ILLUSTRATION SHOWS TYPICAL PARTS ONLY. ORDER BY PART NUMBER. PARTS NOT LISTED ARE SUPPLIED BY OEM.

VIEW 3 of 4



Ref #	Part Number	Qty	Description
28	30322	1	Lock Nut, 8-32
51	35747A	1	Counterbalance Weight
66	650990	1	Screw, 5/16-18 x 15/32"
210	27793	2	Conduit Clip
211	28942	1	Screw, 10-32 x 3/8"
234	650825	2	Nut & Lock Washer, 1/4-20
238	650834	2	Screw, 10-32 x 1-17/32"
263	35963	1	Trim Ring
277	650729	2	Screw, 5/16-18 x 3-3/16"
314	650873	2	Screw, 1/4-20 x 3/4"
315	611113	1	Alternator Coil (3 Amp)(Incl. 321,322 & 323)
321	611161	1	Diode
323	610922	1	Terminal
326	36210	1	Starter Plug
347	650949	3	Screw, 10-32 x 9/16
348	35426	1	Remote Choke Bracket
349	650767	2	Screw, 8-32 x 27/64"
394A	650948	1	Washer



ILLUSTRATION SHOWS TYPICAL PARTS ONLY. ORDER BY PART NUMBER. PARTS NOT LISTED ARE SUPPLIED BY OEM.

STANDARD POINT IGNITION

VIEW 4 of 4



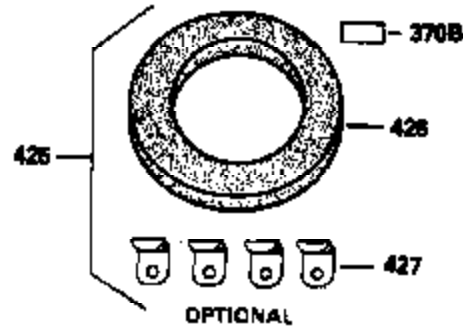
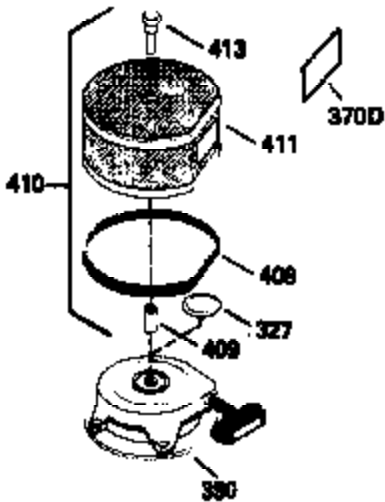
MUFFLER (QUIET)  
 (OPTIONAL)



OPTIONAL SPARK  
 ARRESTOR



DEBRIS SCREEN KIT  
 (OPTIONAL)



Ref #	Part Number	Qty	Description
16	36494	1	Governor Lever
19A	36495	1	Extension Spring
28	30322	1	Lock Nut, 8-32
51	35747A	1	Counterbalance Weight
66	650990	1	Screw, 5/16-18 x 15/32"
92	650880	1	Lock Washer
93	650881	1	Flywheel Nut
103	650814	2	Screw, Torx T-15, 10-24 x 1"
186	33860	1	Governor Link
200	36233	1	Control Bracket (Incl. 203 & 204)
209	650902	2	Screw, 10-32 x 7/16"
210	27793	2	Conduit Clip
211	28942	1	Screw, 10-32 x 3/8"
234	650825	2	Nut & Lock Washer, 1/4-20
238	650834	2	Screw, 10-32 x 1-17/32"
260	36292	1	Blower Housing
261	650788	2	Screw, 5/16-18 x 3/4"
262	29747B	2	Screw, Torx T-40, 5/16-24 x 21/32"
263	35963	1	Trim Ring
277	650729	2	Screw, 5/16-18 x 3-3/16"
286	35962	1	Cup & Screen
315	611113	1	Alternator Coil (3 Amp)(Incl. 321,322 & 323)
326	36210	1	Starter Plug
347	650949	3	Screw, 10-32 x 9/16
361	650990	4	Screw, Torx T-30, 1/4-20 x 15/32"
394A	650948	1	Washer
395	35763A	1	Electric Starter Motor (12 Volt)
416	34479A	1	Spark Arrestor Screen Kit (Optional)