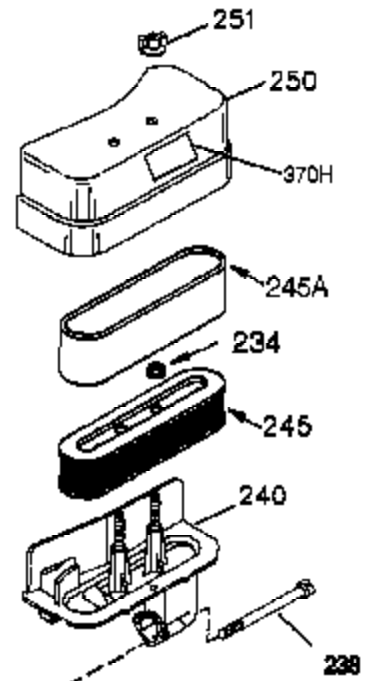




Ref #	Part Number	Qty	Description
	1 35421	1	Cylinder (Incl. 2 & 20)
	2 27652	2	Dowel Pin
	14 28277	2	Washer
	15 35082	1	Governor Rod
	16 32651	1	Governor Lever
	17 29916	1	Governor Lever Clamp
	18 651028	1	Screw, T-15, 8-32 x 7/16"
	19A 34043	1	Extension Spring
	20 35319	1	Oil Seal
	25 37706	1	Blower Housing Baffle
	26 650561	2	Screw, 1/4-20 x 19/32"
	28 30322	1	Lock Nut, 8-32
	35 29826	1	Screw, 10-32 x 3/4"
	36 29918	1	Lock Washer
	37 29216	1	Lock Nut, 10-32
	38 29642	1	Retaining Ring
	60 33273A	1	Blower Housing Extension
	62 650760	1	Screw, 8-32 x 3/8"
	63 28545	1	Grommet
	65 650128	1	Screw, 10-24 x 1/2"
	66 650990	1	Screw, T-30, 5/16-18 x 15/32"
	68 33356	1	Ground Terminal
	90 611090	1	Flywheel
	92 650880	1	Lock Washer
	93 650881	1	Flywheel Nut
	100 35135A	1	Solid State Ignition (Incl. 101)
	101 610118	1	Spark Plug Cover
	102 651024	2	Solid State Mounting Stud
	103 651007	2	Screw, T-15, 10-24 x 15/16"
	110 35349	1	Ground Wire
	119 36451	1	* Cylinder Head Gasket
	120 36449	1	Cylinder Head
	125 27878A	1	Exhaust Valve (Std.) (Incl. 151)
	125 27880A	1	Exhaust Valve (1/32" OS) (Incl. 151)
	126 34035	1	Intake Valve (Std.) (Incl. 151)
	127 650691	9	Washer
	128 650690	9	Belleville Washer
	130 650694A	9	Screw, 5/16-18 x 2"
	135 33636	1	Resistor Spark Plug (RJ17LM)
	149A 35862	1	Valve Spring Cap
	149 27882	1	Valve Spring Cap
	150 27881	2	Valve Spring
	151 32581	2	Valve Spring Keeper
	169 27896A	2	* Valve Cover Gasket
	170 28423	1	Breather Body
	171 28424	1	Breather Element
	172 28425	1	Valve Cover
	173 35350	1	Breather Tube
	174 650128	2	Screw, 10-24 x 1/2"
	186 33860	1	Governor Link
	200 35524	1	Control Bracket (Incl. 203 & 204)
	203 36482	1	Compression Spring
	204 651019	1	Screw, T-10, 6-32 x 41/64"
	207 35803	1	Choke Link
	209 651081	2	Screw, 10-32 x 15/32"
	210 27793	1	Conduit Clip
	210 27793	1	Conduit Clip
	211 28942	1	Screw, 10-32 x 3/8"

Ref #	Part Number	Qty	Description
211	28942	1	Screw, 10-32 x 3/8"
260	33635C	1	Blower Housing
261	650788	4	Screw, 5/16-18 x 3/4"
262	29747B	2	Screw, T-40, 5/16-24 x 21/32"
264A	650802	1	Screw, 1/4-20 x 5/8"
265	33272D	1	Cylinder Head Cover (Black)
275	40003	1	Muffler
276	31588	1	Locking Plate
277	650729	2	Screw, 5/16-18 x 3-3/16"
281	33013	1	Starter Bubble Cover
282	650760	1	Screw, 8-32 x 3/8"
285	35985B	1	Starter Cup
287	29752	4	Nut & Lock Washer, 1/4-28
290	30705	1	Fuel Line
292	26460	2	Fuel Line Clamp
298	28763	2	Screw, 10-32 x 33/64"
300	33583B	1	Fuel Tank (Incl. 292, 298 & 301)
301	36246	1	Fuel Cap
325B	34246	1	Wire Clip
327	35392	1	Starter Plug
370A	35274	1	Oil Instruction Decal
390	590746	1	Rewind Starter (NOTE: This engine could have been built with 590704 starter.)

CONTINUED FROM PAGE 2



Ref #	Part Number	Qty	Description
30	35429A	1	Crankshaft
31	35327	1	Counterbalance Gear
40	35776A	1	Piston, Pin & Ring Set (Std.)(Incl. 4 1,42 & 43)
40	35777A	1	Piston, Pin & Ring Set (.010" OS)(Incl. 41,42 & 43)
40	35778A	1	Piston, Pin & Ring Set (.020" OS)(Incl. 41,42 & 43)
41	35773A	1	Piston & Pin Ass'y. (Std.)(Incl. 43)
41	35774A	1	Piston & Pin Ass'y. (.010" OS)(Incl. 43)
41	35775A	1	Piston & Pin Ass'y. (.020" OS)(Incl. 43)
42	35779	1	Ring Set (Std.)
42	35780	1	Ring Set (.010" OS)
42	35781	1	Ring Set (.020" OS)
43	35772	2	Piston Pin Retaining Ring
45	36895	1	Connecting Rod Ass'y. (Incl. 47)
47	651033	2	Connecting Rod Bolt
48	34034	2	Valve Lifter
50	35381	1	Camshaft Ass'y (MCR)
51	35315A	1	Counterbalance Weight
52	31356	1	Oil Pump Ass'y.
69	35317	1	* Mounting Flange Gasket
70	35711A	1	Mounting Flange (Incl. 72,75,80 & 81)
72	31927	1	Oil Drain Plug
75	35319	1	Oil Seal
80	35783	1	Governor Shaft
81	30590A	2	Washer
82	35378	1	Governor Gear Ass'y. (Incl. 81)
83	30588A	1	Governor Spool
84	29193	2	Retaining Ring
86	650833	7	Screw, 1/4-20 x 1-3/16"
88	31707A	1	Spacer (Incl. 81)
89	32589	1	Flywheel Key
123	33261	1	Intake Pipe Brace
124	651031	3	Screw, 1/4-20 x 9/16"
171	28424	1	Breather Element
178	29752	2	Nut & Lock Washer. 1/4-28
182	30088A	2	Screw, 1/4-28 x 1"
184	33263	1	Carburetor To Intake Pipe Gasket
185	34926	1	Intake Pipe
223	650378	2	Screw, T-30, 5/16-18 x 1-3/32"
224	27915A	1	* Intake Pipe Gasket
234	650825	2	Nut & Lock Washer, 1/4-20
238	650834	2	Screw, 10-32 x 1-17/32"
239	33629	1	* Air Cleaner Gasket
240	35538B	1	Air Cleaner Body (Incl. 239)
245	35403	1	Air Cleaner Filter (Incl. 234)
245A	35404	1	Air Cleaner Filter
250	35961	1	Air Cleaner Cover
251	650886	2	Wing Nut, 1/4-20
292	26460	2	Fuel Line Clamp
305	35574	1	Oil Fill Tube
307	35499	1	"O" Ring
308	35437	1	Fill Tube Clip
310	35576	1	Dipstick
380	640091A	1	Carburetor (Incl. 184)
400	36450C		* Gasket Set (Incl. items marked PK i n notes)
420	730225A	1	SAE 30 4-Cycle Engine Oil (Quart)



Ref #	Part Number	Qty	Description
60	33273A	1	Blower Housing Extension
62	650760	1	Screw, 8-32 x 3/8"
65	650128	1	Screw, 10-24 x 1/2"
92	650880	1	Lock Washer
93	650881	1	Flywheel Nut
171	28424	1	Breather Element
209	651081	2	Screw, 10-32 x 15/32"
210	27793	1	Conduit Clip
210	27793	1	Conduit Clip
211	28942	1	Screw, 10-32 x 3/8"
211	28942	1	Screw, 10-32 x 3/8"
260	33635C	1	Blower Housing
261	650788	4	Screw, 5/16-18 x 3/4"
262	29747B	2	Screw, T-40, 5/16-24 x 21/32"
327	35392	1	Starter Plug
390	590746	1	Rewind Starter (NOTE: This engine could have been built with 590704 starter.)