

ILLUSTRATION SHOWS TYPICAL PARTS ONLY. ORDER BY PART NUMBER. PARTS NOT LISTED ARE SUPPLIED BY OEM.

VIEW 1 of 3



| Ref # | Part Number | Qty | Description |
|-------|-------------|-----|---|
| 1 | 34908A | | Cylinder (Incl. 2 & 20) (3-5/16" Bore) |
| 2 | 27652 | | Pin, Dowel |
| 14 | 28277 | | Washer, Flat |
| 15 | 35082 | | Rod, Governor |
| 16 | 32651 | | Lever, Governor |
| 17 | 31335 | | Clamp, Governor lever |
| 18 | 650548 | | Screw, 8-32 x 5/16" |
| 19 | 34043 | | Spring, Extension |
| 20 | 32630 | | Seal, Oil |
| 25 | 35256A | | Baffle, Blower housing |
| 26 | 650561 | | Screw, 1/4-20 x 5/8" |
| 30 | 35199 | | Crankshaft (Incl. 108 & 109) |
| 32 | 35653 | | Washer (1-3/8" I.D. 1-3/4" O.D. .015" thick) |
| 40 | 34860A | | Piston, Pin & Ring Set (Std.)(3-5/16" Bore) |
| 40 | 34861A | | Piston, Pin & Ring Set (.010" OS) |
| 40 | 34862A | | Piston, Pin & Ring Set (.020" OS) |
| 41 | 34863 | | Piston & Pin Ass'y. (Std.)(Incl.43)(3 -5/16") |
| 41 | 34864 | | Piston & Pin Ass'y. (.010" OS) (Incl. 43) |
| 41 | 34865 | | Piston & Pin Ass'y. (.020" OS) (Incl. 43) |
| 42 | 34866A | | Ring Set (Std.) (3-5/16" Bore) |
| 42 | 34867A | | Ring Set (.010" OS) |
| 42 | 34868A | | Ring Set (.020" OS) |
| 43 | 27888 | | Ring, Piston pin retaining |
| 45 | 32591C | | Rod Assy., Connecting (Incl. 47) |
| 47 | 650662C | | Bolt, Connecting rod (2 pieces) |
| 48 | 34034 | | Lifter, Valve |
| 50 | 34040 | | Camshaft (MCR) |
| 52 | 31356 | | Pump Assy., Oil |
| 60 | 33273A | | Extension, Blower housing |
| 64 | 30063 | | Screw, Torx T-30, 1/4-20 x 1/2" |
| 65 | 650128 | | Screw, 10-24 x 1/2" |
| 69 | 35262 | | * Gasket, Mounting flange |
| 70 | 33580 | | Flange Ass'y. (Incl. 72, 75, 80 & 81) |
| 72 | 31927 | | Plug, Pipe |
| 75 | 31950 | | Seal, Oil |
| 80 | 30668 | | Shaft, Mechanical governor |
| 81 | 30590A | | Washer, Flat |
| 82 | 30591 | | Gear Assy., Governor (Incl. 81) |
| 83 | 30588A | | Spool, Governor |
| 84 | 29193 | | Ring, Retaining |
| 86 | 650833 | | Screw, 1/4-20 x 1-3/16" |
| 88 | 31707A | | Governor Spacer Assy. (Incl. 81) |
| 89 | 32589 | | Key, Flywheel |
| 90 | 611094 | | Flywheel (7 amp) (w/ring gear) |
| 92 | 650815 | | Washer, Belleville |
| 93 | 8116 | | Nut, Hex, 1/2-20 |
| 100 | 35135 | | Solid State Assy. |
| 101 | 610118 | | Cover, Spark plug (Use as required) |
| 102 | 650872 | | Stud, Solid State mounting |
| 103 | 650814 | | Screw, Torx T-15, 10-24 x 1" |
| 108 | 29783 | | Pin, Crankshaft |
| 109 | 33245 | | Gear, Crankshaft |
| 110 | 35182 | | Wire, Ground |
| 119 | 34923A | | * Gasket, Cylinder head |
| 120 | 34030 | | Head, Cylinder |
| 123 | 33261 | | Bracket, Intake pipe |
| 124 | 650738 | | Screw, 1/4-20 x 5/8" |
| 125 | 27878A | | Exhaust Valve (Std.) (Incl. 151) |

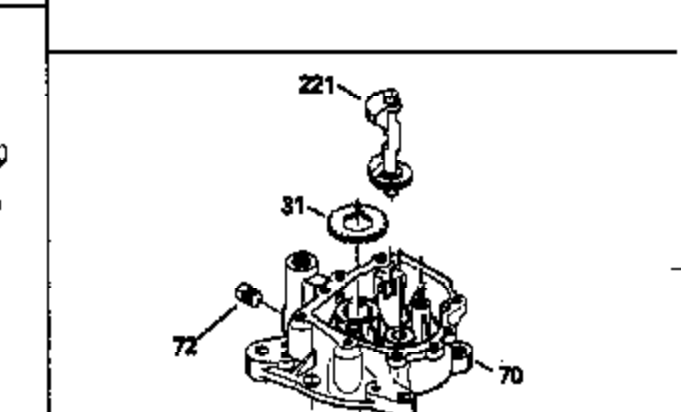
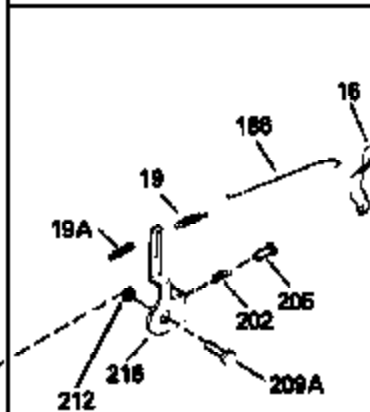
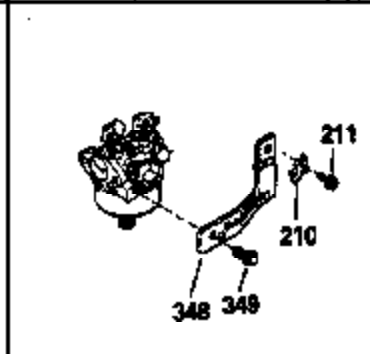
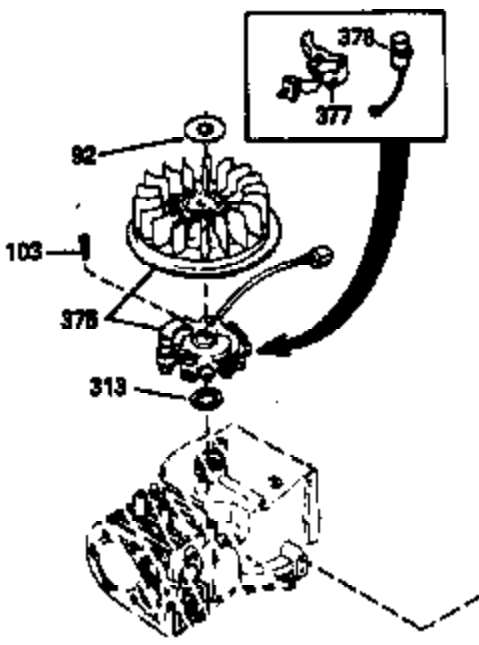
| Ref # | Part Number | Qty | Description |
|-------|-------------|-----|--|
| 125 | 27880A | | Exhaust Valve (1/32" OS) (Incl. 151) |
| 126 | 34035 | | Intake Valve (Std.) (Incl. 151) |
| 126 | 34036 | | Intake Valve (1/32" OS) (Incl. 151) |
| 127 | 650691 | | Washer, Flat (Do not use with 6021A s crew) |
| 128 | 650690 | | Washer, Belleville |
| 130 | 650694A | | Screw, 5/16-18 x 2" |
| 131 | 6021A | | Screw, 5/16-18 x 1-1/2" (Do not use w /650691) |
| 131 | 650788 | | Screw, 5/16-18 x 3/4" |
| 135 | 33636 | | Resistor Spark Plug |
| 149A | 35862 | | Seal Assy., Intake valve |
| 149 | 27882 | | Valve Spring Cap |
| 150 | 27881 | | Spring, Valve |
| 151 | 32581 | | Valve Spring Keeper |
| 169 | 27896A | | * Gasket, Breather |
| 170 | 28423 | | Body Assy., Breather |
| 171 | 28424 | | Element, Breather |
| 172 | 28425 | | Cover, Breather |
| 173 | 35350 | | Tube, Breather |
| 174 | 650128 | | Screw, 10-24 x 1/2" |
| 178 | 29752 | | Nut & Lockwasher, 1/4-28 |
| 182 | 30088A | | Screw, 1/4-28 x 1" |
| 184 | 33263 | | * Gasket, Carburetor |
| 185 | 34926 | | Pipe, Intake |
| 186 | 33860 | | Link, Governor-to-throttle |
| 200 | 35201 | | Control Bracket |
| 202 | 33802 | | Spring, Compression |
| 205 | 650777 | | Screw, 6-32 x 21/32" |
| 206 | 610973 | | Terminal Assy. (Use as required) |
| 209 | 30200 | | Screw, 10-24 x 9/16" |
| 210 | 27793 | | Clip, Conduit |
| 211 | 28942 | | Screw, 10-32 x 3/8" |
| 223 | 650378 | | Screw, Torx T-30, 5/16-18 x 1-1/8" |
| 224 | 27915A | | * Gasket, Intake pipe |
| 239 | 33629 | | * Gasket, Air cleaner |
| 239A | 34912 | | * Gasket, Air cleaner-to-housing |
| 243 | 650834 | | Screw, 10-32 x 1-17/32" |
| 246A | 34910 | | Element, Air cleaner |
| 250A | 34911 | | Cover, Air cleaner |
| 252A | 650784 | | Screw, 10-24 x 11/16" |
| 253 | 650651 | | Screw, 1/4-20 x 5/8" |
| 260 | 33635B | | Blower Housing (For electric starter) NOTE: Replacement hardware may differ when servicing starter assy. or blower housing. Refer to Service Bulletin 508. |
| 261 | 650788 | | Screw, 5/16-18 x 3/4" |
| 262 | 29747B | | Screw, 5/16-24 x 21/32" |
| 264 | 650802 | | Screw, 1/4-20 x 5/8" |
| 264A | 650738 | | Screw, 1/4-20 x 5/8" |
| 265 | 33272A | | Cover, Cylinder head |
| 275 | 33280A | | Muffler |
| 276 | 31588 | | Plate, Muffler locking |
| 277 | 650729 | | Screw, 5/16-18 x 3-3/16" (Use As Req.) |
| 277 | 651002 | | Screw, 5/16-18 x 4-3/16" (Use As Req.) |
| 277 | 30196 | | Screw, 5/16-18 x 3/4" (Use As Req.) |
| 285 | 32125 | | Cup, Starter |
| 287 | 29752 | | Nut & Whizlock, 1/4-28 |
| 290 | 30705 | | Fuel Line (Braided 16") (40cm) |
| 290 | 29774 | | Fuel Line (Braided 8-1/4") (21cm)(As req.) |

| Ref # | Part Number | Qty | Description |
|-------|-------------|-----|---|
| 292 | 26460 | | Clamp, Fuel line |
| 292A | 35864 | | Clamp, fuel filter to fuel line |
| 298 | 28763 | | Screw, 10-32 x 35/64" |
| 300 | 33583B | | Fuel Tank (Incl. 292, 298 & 301) NOTE: This tank was built with different size fuel inlet opening. Tanks with the 1-3/16" I.D. opening use fuel cap 34210. Tanks with the 1-1/2" I.D. opening use fuel cap 35355. |
| 301 | 33032 | | Fuel Cap (Use as required in early pr od.) |
| 301 | 34210 | | Fuel Cap (Use as required in early pr od.) |
| 307 | 33590 | | "O" Ring |
| 310 | 35837 | | Dipstick, Oil (Incl. 307) |
| 313A | 35189 | | Spacer, Coil Assy. |
| 314 | 650873 | | Screw, 1/4-20 x 3/4" |
| 316 | 611097 | | Coil Assy. (7 amp D.C.) (Incl.322,322 A & 323) |
| 322A | 610824 | | Connector, Flat |
| 322 | 610921 | | Connector body |
| 323 | 610922 | | Terminal, Female |
| 324 | 33177 | | Terminal |
| 370A | 34686 | | Decal, Name |
| 370 | 34346 | | Decal, Instruction |
| 379 | 631021 | | Inlet Needle, Seat & Clip Assy. |
| 380 | 632241 | | Carburetor (Incl. 184) (Refer to Division 5, Section A, page 182 for breakdown or Fiche10A, Grid E-11) |
| 381 | 29117 | | Screw, 8-32 x 5/16 (Not used on late prod.) |
| 382 | 33581 | | Screen, Oil filter (Not used in late prod.) |
| 390 | 590479 | | Rewind Starter NOTE: Replacement hardware may differ when servicing starter assy. or blower housing. Refer to Service Bulletin 508. (Refer to Division 5, Section C, page 30 for breakdown or Fiche 10A, Grid G-9)) |
| 400 | 33279G | | * Gasket Set (Incl. items marked *) |
| 407 | 35837 | | Fill Tube & Dipstick Assy. |

ILLUSTRATION SHOWS TYPICAL PARTS ONLY. ORDER BY PART NUMBER. PARTS NOT LISTED ARE SUPPLIED BY DEM.



STANDARD POINT IGNITION



COUNTERBALANCE

| Ref # | Part Number | Qty | Description |
|-------|-------------|-----|--|
| 16 | 32651 | | Lever, Governor |
| 19 | 34043 | | Spring, Extension |
| 19A | 35203 | | Spring, Extension |
| 64 | 30063 | | Screw, Torx T-30, 1/4-20 x 1/2" |
| 70 | 33580 | | Flange Ass'y. (Incl. 72, 75, 80 & 81) |
| 72 | 31927 | | Plug, Pipe |
| 92 | 650815 | | Washer, Belleville |
| 103 | 650814 | | Screw, Torx T-15, 10-24 x 1" |
| 186 | 33860 | | Link, Governor-to-throttle |
| 202 | 33802 | | Spring, Compression |
| 205 | 650777 | | Screw, 6-32 x 21/32" |
| 210 | 27793 | | Clip, Conduit |
| 211 | 28942 | | Screw, 10-32 x 3/8" |
| 216 | 35202A | | R.P.M. Adj. Lever (Incl.19A,209A,212, 222,239) |
| 222 | 650807 | | Screw, 10-32 x 27/64" |
| 240 | 34909 | | Body, Air cleaner |
| 243 | 650834 | | Screw, 10-32 x 1-17/32" |
| 274 | 27930 | | * Exhaust Gasket (use as required) |
| 277 | 650729 | | Screw, 5/16-18 x 3-3/16" (Use As Req.) |
| 277 | 651002 | | Screw, 5/16-18 x 4-3/16" (Use As Req.) |
| 277 | 30196 | | Screw, 5/16-18 x 3/4" (Use As Req.) |
| 285 | 32125 | | Cup, Starter |
| 286A | 35194 | | Screen, Starter |
| 287 | 29752 | | Nut & Whizlock, 1/4-28 |
| 319 | 650874 | | Screw, 10-32 x 15/32" |
| 320 | 611098 | | Regulator, Rectifier (7 amp DC) |
| 325A | 29443 | | Clip, Fuel line |
| 361 | 30063 | | Screw, Torx T-30, 1/4-20 x 1/2" |
| 390 | 590479 | | Rewind Starter NOTE: Replacement hardware may differ when servicing starter assy. or blower housing. Refer to Service Bulletin 508. (Refer to Division 5, Section C, page 30 for breakdown or Fiche 10A, Grid G-9)) |
| 395 | 33605 | | Electric Starter Motor (12 Volt) NOTE: Engine requires a ringgear flywheel (611091 minimum) and the cylinder must have drilled and tapped starter mounting bosses to add the electric starter. (Refer to Division 5, Section D, page 20 for breakdown or Fiche 10A, Grid G-11) |
| 415 | 730130 | | Exh.Adapter Kit (Incl. 274 & 277)(As req.) |

ILLUSTRATION SHOWS TYPICAL PARTS ONLY. ORDER BY PART NUMBER. PARTS NOT LISTED ARE SUPPLIED BY OEM.

**OPTIONAL SPARK
ARRESTOR**



**VIEW 3 of 3
MUFFLER (QUIET)
(OPTIONAL)**



**DEBRIS SCREEN KIT
(OPTIONAL)**



| Ref # | Part Number | Qty | Description |
|-------|-------------|-----|--|
| 275C | 35824 | | Muffler (Quiet) (Optional) |
| 275 | 33280A | | Muffler |
| 277 | 650729 | | Screw, 5/16-18 x 3-3/16" (Use As Req.) |
| 277 | 651002 | | Screw, 5/16-18 x 4-3/16" (Use As Req.) |
| 277 | 30196 | | Screw, 5/16-18 x 3/4" (Use As Req.) |
| 370C | 34870 | | Decal, Instruction (Optional) |
| 370D | 34387 | | Decal, Instruction (Optional) |
| 408 | 35570 | | Screen Seal (Optional) |
| 409 | 35569 | | Spacer (Optional) |
| 410 | 730573 | | Opt.Screen Kit(Incl.370D,408,409,411, 413) |
| 411 | 35568 | | Debris Screen (Optional) |
| 413 | 650907 | | Screw, 5/16-18 x 1-5/8" (Optional) |
| 416 | 34479 | | Spark Arrestor Kit (Optional) |
| 425 | 730572 | | Starter Muff Kit(Incl.370C,426,427)(O pt.) |
| 426 | 34687 | | Starter Air Cleaner (Optional) |
| 427 | 34869 | | Starter Air Cleaner Bracket (Optional) |