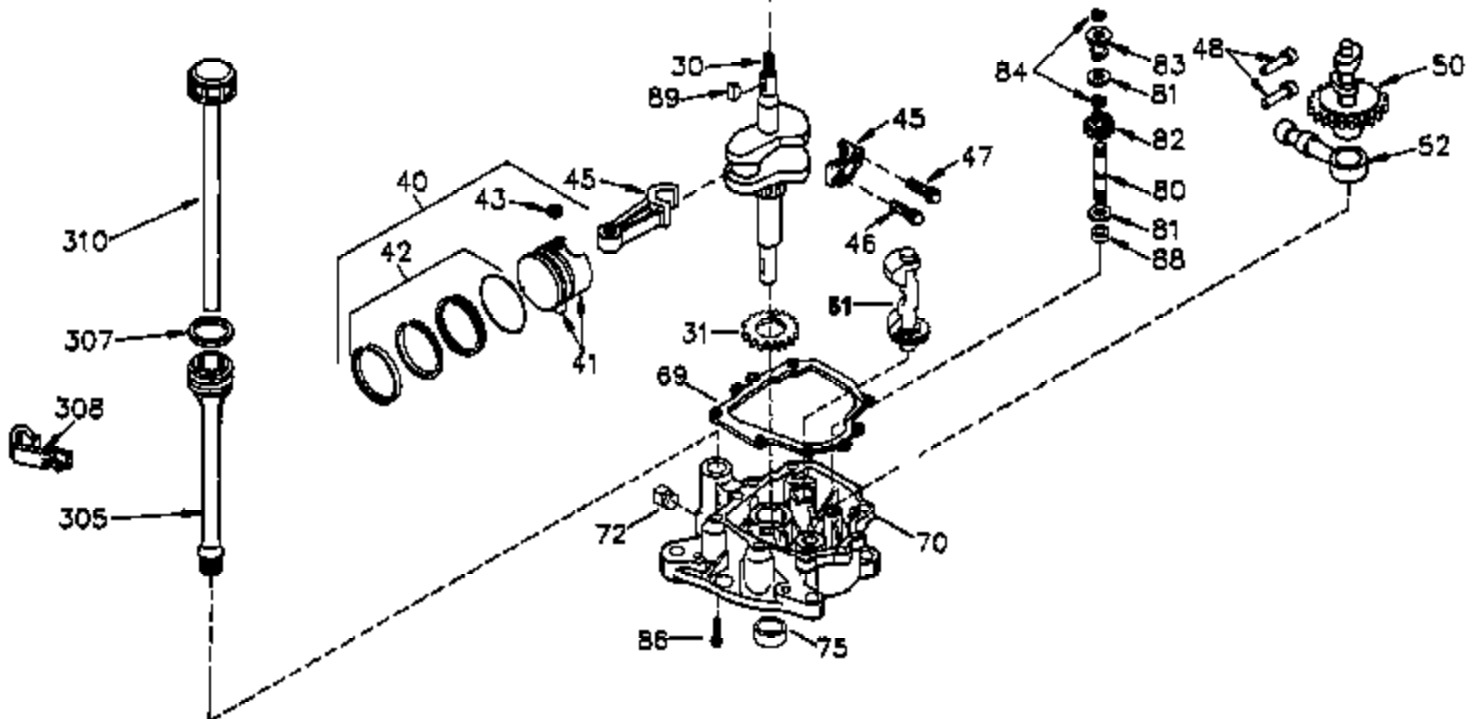
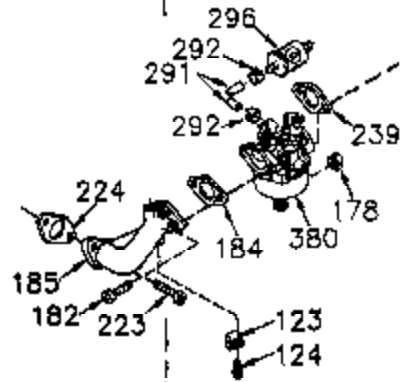
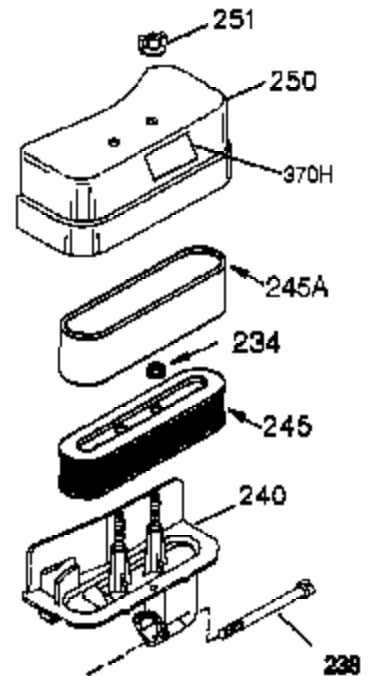
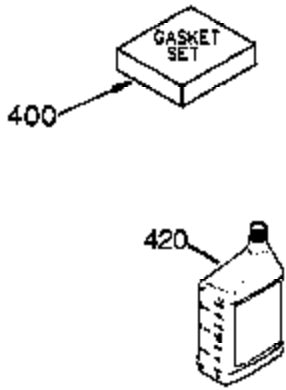


Ref #	Part Number	Qty	Description
1	35421	1	Cylinder (Incl. 2 & 20)
2	27652	2	Dowel Pin
14	28277	2	Washer
15	35082	1	Governor Rod
16	36494	1	Governor Lever
17	29916	1	Governor Lever Clamp
18	651028	1	Screw, Torx T-15, 8-32 x 3/8"
20	35319	1	Oil Seal
25	35424	1	Blower Housing Baffle
26	650561	2	Screw, 1/4-20 x 5/8"
28	30322	1	Lock Nut, 8-32
35	29826	1	Screw, 10-32 x 3/4"
36	29918	1	Lock Washer
37	29216	1	Lock Nut, 10-32
38	29642	1	Retaining Ring
60	33273A	1	Blower Housing Extension
62	650760	1	Screw, 8-32 x 3/8"
63	28545	1	Grommet
64	650990	1	Screw, Torx T-30, 1/4-20 x 15/32"
65	650128	1	Screw, 10-24 x 1/2"
68	33356	1	Ground Terminal
90	611094	1	Flywheel
92	650880	1	Lock Washer
93	650881	1	Flywheel Nut
100	35135	1	Solid State Ignition
101	610118	1	Spark Plug Cover
102	651024	2	Solid State Mounting Stud
103	651007	2	Screw, Torx T-15, 10-24 x 15/16"
110	35349	1	Ground Wire
119	36451	1	* Cylinder Head Gasket
120	36449	1	Cylinder Head
125	27878A	1	Exhaust Valve (Std.) (Incl. 151)
125	27880A	1	Exhaust Valve (1/32" OS) (Incl. 151)
126	34035	1	Intake Valve (Std.) (Incl. 151)
126	34036	1	Intake Valve (1/32" OS) (Incl. 151)
127	650691	9	Washer
128	650690	9	Belleville Washer
130	650694A	9	Screw, 5/16-18 x 2"
135	33636	1	Resistor Spark Plug (J8C/356)
149	27882	1	Valve Spring Cap
149A	35862	1	Valve Spring Cap
150	27881	2	Valve Spring
151	32581	2	Valve Spring Keeper
169	27896A	2	* Valve Cover Gasket
170	28423	1	Breather Body
171	28424	1	Breather Element
172	28425	1	Valve Cover
173	35350	1	Breather Tube
174	650128	2	Screw, 10-24 x 1/2"
186	33860	1	Governor Link
200	35956	1	Control Bracket (Incl. 203 & 204)
203	36482	1	Compression Spring
204	650777	1	Screw, 6-32 x 21/32"
207	35989	1	Choke Link
209	650902	2	Screw, 10-32 x 7/16"
210	27793	1	Conduit Clip
211	28942	1	Screw, 10-32 x 3/8"
251A	650825	2	Nut & Lock Washer, 1/4-20

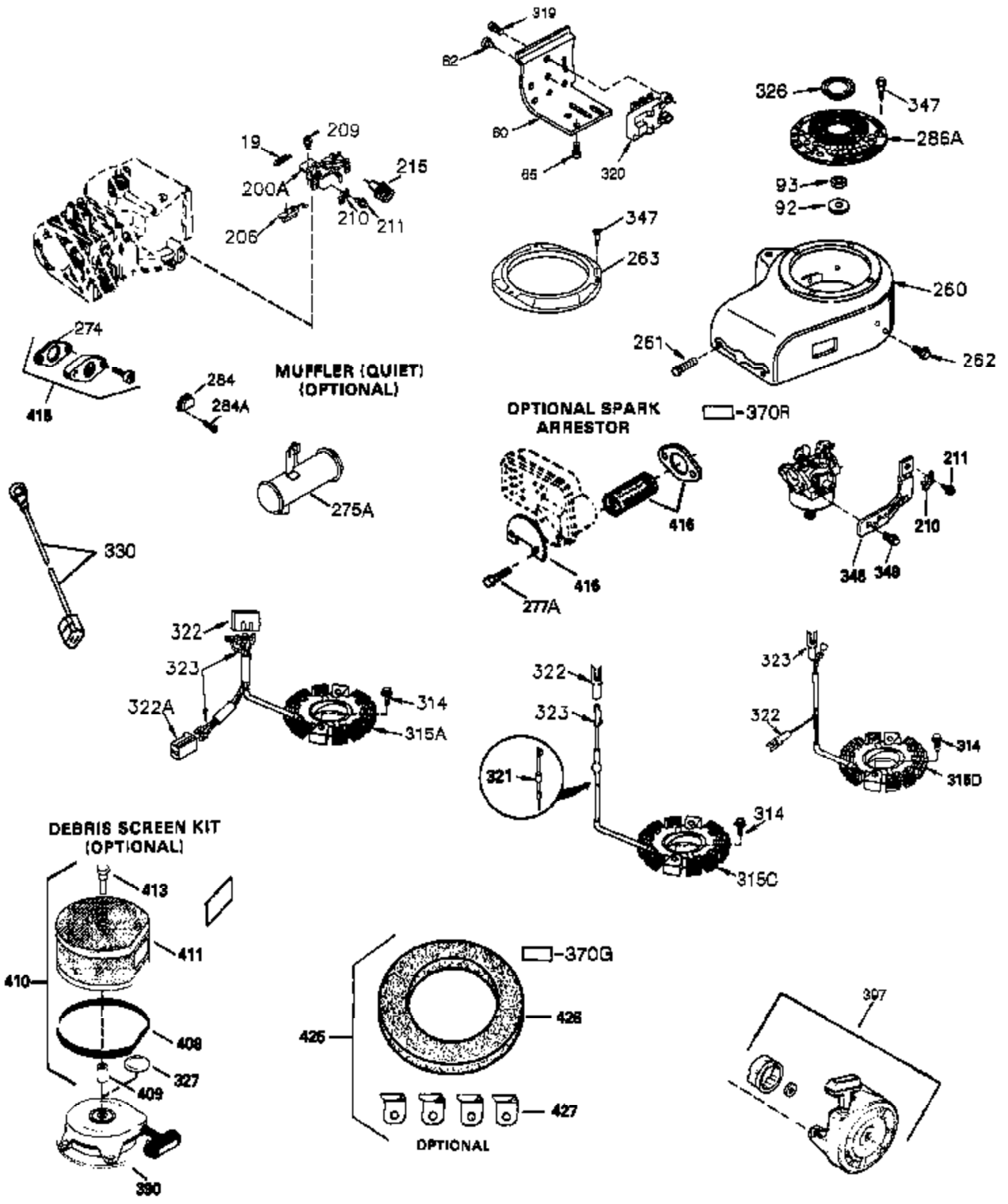
Ref #	Part Number	Qty	Description
260	33635C	1	Blower Housing
261	650788	2	Screw, 5/16-18 x 3/4"
262	29747B	2	Screw, Torx T-40, 5/16-24 x 21/32"
264A	650802	1	Screw, 1/4-20 x 5/8"
265	33272B	1	Cylinder Head Cover
275	34185B	1	Muffler
276	31588	1	Locking Plate
277	650729	2	Screw, 5/16-18 x 3-3/16"
285	35985B	1	Starter Cup
287	29752	4	Nut & Lock Washer, 1/4-28
290	30705	1	Fuel Line
292	26460	2	Fuel Line Clamp
298	28763	2	Screw, 10-32 x 35/64"
300	33583B	1	Fuel Tank (Incl. 292, 298 & 301)
301	36246	1	Fuel Cap
314	650873	2	Screw, 1/4-20 x 3/4"
315	611104	1	Alternator Coil (3/5)(Incl. 321,322 & 323)
321	611161	1	Diode
322	611142	1	Connector Body
323	611118	2	Terminal
325A	34246	1	Wire Clip
325	29443	1	Wire Clip
327	35392	1	Starter Plug
361	650990	4	Screw, Torx T-30, 1/4-20 x 15/32"
370	36261	1	Identification Decal
390	590704	1	Rewind Starter (Note: This engine could have been built with 590746 starter.)
395	36680	1	Electric Starter Motor (12 Volt)

CONTINUED FROM PAGE 2



Ref #	Part Number	Qty	Description
30	35429A	1	Crankshaft
31	35327	1	Counterbalance Gear
40	35776	1	Piston, Pin & Ring Set (Std.)
40	35777	1	Piston, Pin & Ring Set (.010" OS)
40	35778	1	Piston, Pin & Ring Set (.020" OS)
41	35773	1	Piston & Pin Ass'y. (Std.) (Incl. 43)
41	35774	1	Piston & Pin Ass'y. (.010" OS) (Incl. 43)
41	35775	1	Piston & Pin Ass'y. (.020" OS) (Incl. 43)
42	35779	1	Ring Set (Std.)
42	35780	1	Ring Set (.010" OS)
42	35781	1	Ring Set (.020" OS)
43	35772	2	Piston Pin Retaining Ring
45	36895	1	Connecting Rod Ass'y. (Incl. 47)
47	651033	2	Connecting Rod Bolt
48	34034	2	Valve Lifter
50	35381	1	Camshaft (MCR)
51	35315A	1	Counterbalance Weight
52	31356	1	Oil Pump Ass'y.
64	650990	1	Screw, Torx T-30, 1/4-20 x 15/32"
69	35317	1	* Mounting Flange Gasket
70	35711A	1	Mounting Flange (Incl. 72, 75 & 80)
72	31927	1	Oil Drain Plug
75	35319	1	Oil Seal
80	35783	1	Governor Shaft
81	30590A	2	Washer
82	35378	1	Governor Gear Ass'y. (Incl. 81)
83	30588A	1	Governor Spool
84	29193	2	Retaining Ring
86	650833	7	Screw, 1/4-20 x 1-3/16"
88	31707A	1	Spacer (Incl. 81)
89	32589	1	Flywheel Key
123	33261	1	Intake Pipe Brace
124	651031	3	Screw, 1/4-20 x 9/16"
171	28424	1	Breather Element
178	29752	2	Nut & Lock Washer, 1/4-28
182	30088A	2	Screw, 1/4-28 x 1"
184	33263	1	* Carburetor To Intake Pipe Gasket
185	34926	1	Intake Pipe
223	650378	2	Screw, Torx T-30, 5/16-18 x 1-1/8"
224	27915A	1	* Intake Pipe Gasket
238	650834	2	Screw, 10-32 x 1-17/32"
239	33629	1	* Air Cleaner Gasket
240	35538B	1	Air Cleaner Body (Incl. 239)
245A	35404	1	Air Cleaner Filter
245	35403	1	Air Cleaner Filter (Incl. 251A)
250	35961	1	Air Cleaner Cover
251A	650825	2	Nut & Lock Washer, 1/4-20
251	650886	2	Wing Nut, 1/4-20
292	26460	2	Fuel Line Clamp
305	35574	1	Oil Fill Tube
307	35499	1	"O" Ring
308	35437	1	Fill Tube Clip
310	35576	1	Dipstick
380	632691	1	Carburetor (Incl. 184)

Ref #	Part Number	Qty	Description
400	36452	1	* Gasket Set (Incl. items marked PK i n notes) Incl. part #'s 26756 (1),27272A (2),27896A (2),27915A (1),29673(1),33263 (1),33629 (1),34041A (1),34327A (1),34698A (1),34912 (1),34923A (1),35262 (1),35317 (1),35865 (1)
420	730225	1	SAE 30 4-Cycle Engine Oil (Quart)



Ref #	Part Number	Qty	Description
19	36495	1	Extension Spring
60	33273A	1	Blower Housing Extension
62	650760	1	Screw, 8-32 x 3/8"
64	650990	1	Screw, Torx T-30, 1/4-20 x 15/32"
65	650128	1	Screw, 10-24 x 1/2"
92	650880	1	Lock Washer
93	650881	1	Flywheel Nut
171	28424	1	Breather Element
209	650902	2	Screw, 10-32 x 7/16"
210	27793	1	Conduit Clip
211	28942	1	Screw, 10-32 x 3/8"
251A	650825	2	Nut & Lock Washer, 1/4-20
260	33635C	1	Blower Housing
261	650788	2	Screw, 5/16-18 x 3/4"
262	29747B	2	Screw, Torx T-40, 5/16-24 x 21/32"
314	650873	2	Screw, 1/4-20 x 3/4"
321	611161	1	Diode
322	611142	1	Connector Body
323	611118	2	Terminal
327	35392	1	Starter Plug
370G	35274	1	Oil Instruction Decal
390	590704	1	Rewind Starter (Note: This engine could have been built with 590746 starter.)