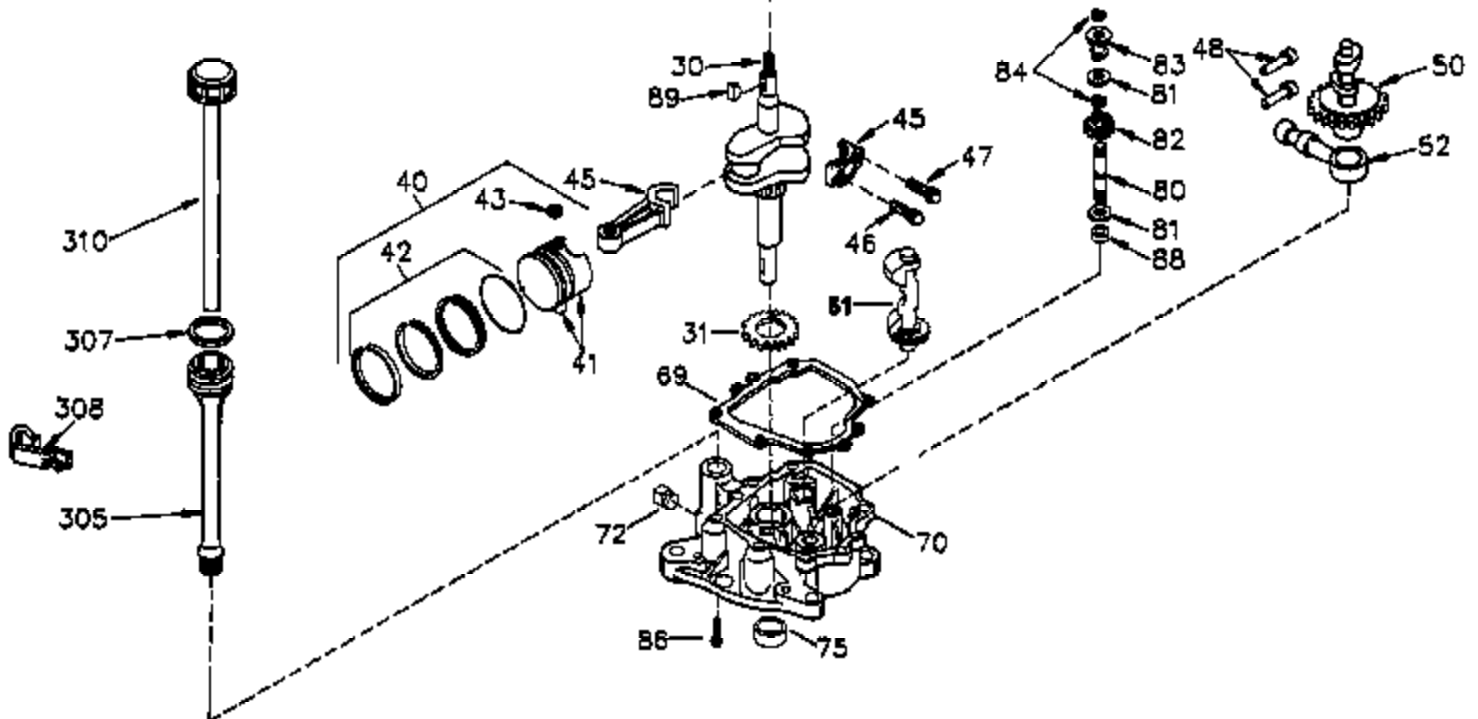




| Ref # | Part Number | Qty | Description                          |
|-------|-------------|-----|--------------------------------------|
|       | 1 35421     | 1   | Cylinder (Incl. 2 & 20)              |
|       | 2 27652     | 2   | Dowel Pin                            |
|       | 14 28277    | 2   | Washer                               |
|       | 15 35082    | 1   | Governor Rod                         |
|       | 16 36494    | 1   | Governor Lever                       |
|       | 17 29916    | 1   | Governor Lever Clamp                 |
|       | 18 651028   | 1   | Screw, T-15, 8-32 x 3/8"             |
|       | 20 35319    | 1   | Oil Seal                             |
|       | 25 35424    | 1   | Blower Housing Baffle (Incl. 325)    |
|       | 26 650561   | 2   | Screw, 1/4-20 x 19/32"               |
|       | 28 30322    | 1   | Lock Nut, 8-32                       |
|       | 35 29826    | 1   | Screw, 10-32 x 3/4"                  |
|       | 36 29918    | 1   | Lock Washer                          |
|       | 37 29216    | 1   | Lock Nut, 10-32                      |
|       | 38 29642    | 1   | Retaining Ring                       |
|       | 60 33273A   | 1   | Blower Housing Extension             |
|       | 65 650128   | 1   | Screw, 10-24 x 1/2"                  |
|       | 66 650990   | 1   | Screw, T-30, 1/4-20 x 15/32"         |
|       | 90 611094   | 1   | Flywheel                             |
|       | 92 650880   | 1   | Lock Washer                          |
|       | 93 650881   | 1   | Flywheel Nut                         |
|       | 100 35135A  | 1   | Solid State Ignition (Incl. 101)     |
|       | 101 610118  | 1   | Spark Plug Cover                     |
|       | 102 651024  | 2   | Solid State Mounting Stud            |
|       | 103 651007  | 2   | Screw, T-15, 10-24 x 15/16"          |
|       | 119 36451   | 1   | * Cylinder Head Gasket               |
|       | 120 36449   | 1   | Cylinder Head                        |
|       | 125 27878A  | 1   | Exhaust Valve (Std.) (Incl. 151)     |
|       | 125 27880A  | 1   | Exhaust Valve (1/32" OS) (Incl. 151) |
|       | 126 34035   | 1   | Intake Valve (Std.) (Incl. 151)      |
|       | 126 34036   | 1   | Intake Valve (1/32" OS) (Incl. 151)  |
|       | 127 650691  | 9   | Washer                               |
|       | 128 650690  | 9   | Belleville Washer                    |
|       | 130 650694A | 9   | Screw, 5/16-18 x 2"                  |
|       | 135 33636   | 1   | Resistor Spark Plug (RJ17LM)         |
|       | 149 27882   | 1   | Valve Spring Cap                     |
|       | 149A 35862  | 1   | Valve Spring Cap                     |
|       | 150 27881   | 2   | Valve Spring                         |
|       | 151 32581   | 2   | Valve Spring Keeper                  |
|       | 169 27896A  | 2   | * Valve Cover Gasket                 |
|       | 170 28423   | 1   | Breather Body                        |
|       | 171 28424   | 1   | Breather Element                     |
|       | 172 28425   | 1   | Valve Cover                          |
|       | 173 35350   | 1   | Breather Tube                        |
|       | 174 650128  | 2   | Screw, 10-24 x 1/2"                  |
|       | 186 33860   | 1   | Governor Link                        |
|       | 200 35956   | 1   | Control Bracket (Incl. 203 & 204)    |
|       | 203 36482   | 1   | Compression Spring                   |
|       | 204 650777  | 1   | Screw, 6-32 x 21/32"                 |
|       | 207 35989   | 1   | Throttle Link                        |
|       | 209 650902  | 2   | Screw, 10-32 x 7/16"                 |
|       | 210 27793   | 1   | Conduit Clip                         |
|       | 211 28942   | 1   | Screw, 10-32 x 3/8"                  |
|       | 260 36292   | 1   | Blower Housing                       |
|       | 261 650788  | 2   | Screw, 5/16-18 x 3/4"                |
|       | 262 29747B  | 2   | Screw, T-40, 5/16-24 x 21/32"        |
|       | 264A 650802 | 1   | Screw, 1/4-20 x 5/8"                 |
|       | 265 33272B  | 1   | Cylinder Head Cover                  |

| Ref # | Part Number | Qty | Description   |
|-------|-------------|-----|---|
| 275   | 40003       | 1   | Muffler   |
| 276   | 31588       | 1   | Locking Plate   |
| 277   | 650729      | 2   | Screw, 5/16-18 x 3-3/16"                              |
| 290   | 29774       | 1   | Fuel Line   |
| 292   | 26460       | 2   | Fuel Line Clamp                                       |
| 308A  | 33997       | 1   | Fill Tube Clip  |
| 314   | 650873      | 2   | Screw, 1/4-20 x 3/4"                                  |
| 315   | 611256      | 1   | Alternator Coil (7 Amp)(Incl. 322, 32 3, 323A & 323B) |
| 322   | 610921      | 1   | Connector Body  |
| 323   | 610922      | 2   | Terminal  |
| 323A  | 611259      | 1   | Terminal  |
| 323B  | 611260      | 1   | Terminal  |
| 325   | 29443       | 1   | Wire Clip   |
| 361   | 650990      | 4   | Screw, T-30, 1/4-20 x 15/32"                          |
| 394   | 650948      | 1   | Washer  |
| 395   | 36680       | 1   | Electric Starter Motor (12 Volt)                      |

CONTINUED FROM PAGE 2

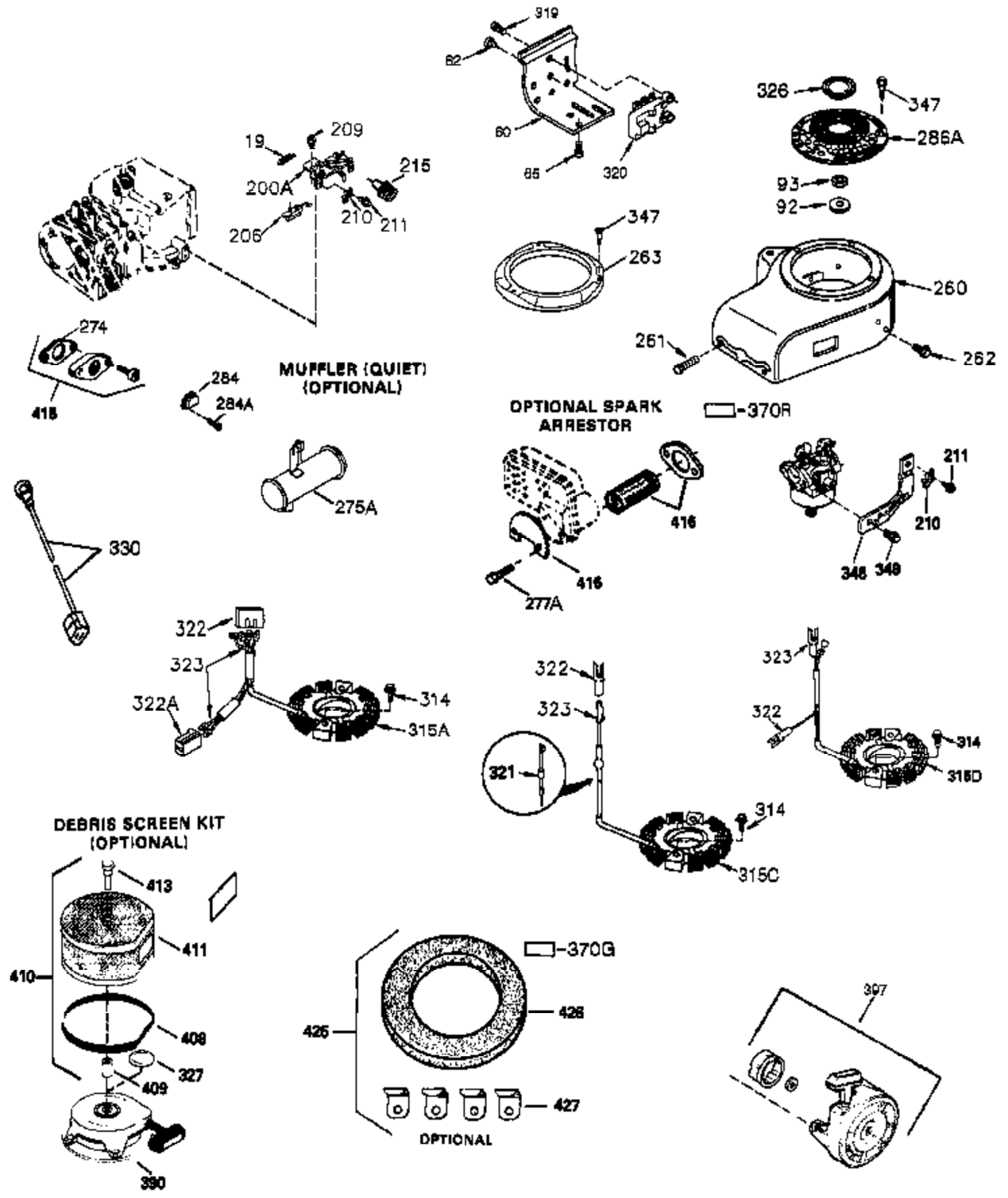


| Ref # | Part Number | Qty | Description                                    |
|-------|-------------|-----|--|
| 30    | 35422A      | 1   | Crankshaft                                     |
| 31    | 35327       | 1   | Counterbalance Gear                            |
| 40    | 35776A      | 1   | Piston, Pin & Ring Set (Std.)                  |
| 40    | 35777A      | 1   | Piston, Pin & Ring Set (.010" OS)              |
| 40    | 35778A      | 1   | Piston, Pin & Ring Set (.020" OS)              |
| 41    | 35773A      | 1   | Piston & Pin Ass'y. (Std.) (Incl. 43)          |
| 41    | 35774A      | 1   | Piston & Pin Ass'y. (.010" OS) (Incl. 43)      |
| 41    | 35775A      | 1   | Piston & Pin Ass'y. (.020" OS) (Incl. 43)      |
| 42    | 35779       | 1   | Ring Set (Std.)                                |
| 42    | 35780       | 1   | Ring Set (.010" OS)                            |
| 42    | 35781       | 1   | Ring Set (.020" OS)                            |
| 43    | 35772       | 2   | Piston Pin Retaining Ring                      |
| 45    | 36895       | 1   | Connecting Rod Ass'y. (Incl. 47)               |
| 47    | 651033      | 2   | Connecting Rod Bolt                            |
| 48    | 34034       | 2   | Valve Lifter                                   |
| 50    | 35381       | 1   | Camshaft                                       |
| 51    | 35315A      | 1   | Counterbalance Weight                          |
| 52    | 31356       | 1   | Oil Pump Ass'y.                                |
| 69    | 35317       | 1   | * Mounting Flange Gasket                       |
| 70    | 35711A      | 1   | Mounting Flange (Incl. 72, 75 & 80)            |
| 72    | 31927       | 1   | Oil Drain Plug                                 |
| 75    | 35319       | 1   | Oil Seal                                       |
| 80    | 35783       | 1   | Governor Shaft                                 |
| 81    | 30590A      | 2   | Washer   |
| 82    | 35378       | 1   | Governor Gear Ass'y. (Incl. 81)                |
| 83    | 30588A      | 1   | Governor Spool                                 |
| 84    | 29193       | 2   | Retaining Ring                                 |
| 86    | 650833      | 7   | Screw, 1/4-20 x 1-3/16"                        |
| 88    | 31707A      | 1   | Spacer (Incl. 81)                              |
| 89    | 32589       | 1   | Flywheel Key                                   |
| 123   | 33261       | 1   | Intake Pipe Bracket                            |
| 124   | 651031      | 3   | Screw, 1/4-20 x 9/16"                          |
| 171   | 28424       | 1   | Breather Element                               |
| 178   | 29752       | 2   | Nut & Lock Washer, 1/4-28                      |
| 182   | 30088A      | 2   | Screw, 1/4-28 x 1"                             |
| 184   | 33263       | 1   | * Carburetor To Intake Pipe Gasket             |
| 185   | 34926       | 1   | Intake Pipe                                    |
| 223   | 650378      | 2   | Screw, T-30, 5/16-18 x 1-1/8"                  |
| 224   | 27915A      | 1   | * Intake Pipe Gasket                           |
| 234   | 650825      | 2   | Nut & Lock Washer, 1/4-20                      |
| 238   | 650834      | 2   | Screw, 10-32 x 1-17/32"                        |
| 239   | 33629       | 1   | * Air Cleaner Gasket                           |
| 240   | 35538B      | 1   | Air Cleaner Body (Incl. 239)                   |
| 245   | 35403       | 1   | Air Cleaner Filter (Incl. 234)                 |
| 245A  | 35404       | 1   | Air Cleaner Filter                             |
| 250   | 35961       | 1   | Air Cleaner Cover                              |
| 251   | 650886      | 2   | Wing Nut, 1/4-20                               |
| 292   | 26460       | 2   | Fuel Line Clamp                                |
| 296   | 34279B      | 1   | Fuel Filter (Incl. 292)                        |
| 305   | 35574       | 1   | Oil Fill Tube                                  |
| 307   | 35499       | 1   | "O" Ring                                       |
| 308   | 35437       | 1   | Fill Tube Clip                                 |
| 310   | 35576       | 1   | Dipstick                                       |
| 323A  | 611259      | 1   | Terminal                                       |
| 323B  | 611260      | 1   | Terminal                                       |
| 380   | 640091A     | 1   | Carburetor (Incl. 184)                         |
| 394   | 650948      | 1   | Washer   |
| 400   | 36452A      | 1   | * Gasket Set (Incl. items marked PK i n notes) |

---

| Ref # | Part Number | Qty | Description                       |
|-------|-------------|-----|-----------------------------------|
| 420   | 730225A     | 1   | SAE 30 4-Cycle Engine Oil (Quart) |

---



| Ref # | Part Number | Qty | Description                   |
|-------|-------------|-----|-------------------------------|
| 19    | 36495       | 1   | Extension Spring              |
| 60    | 33273A      | 1   | Blower Housing Extension      |
| 65    | 650128      | 1   | Screw, 10-24 x 1/2"           |
| 92    | 650880      | 1   | Lock Washer                   |
| 93    | 650881      | 1   | Flywheel Nut                  |
| 171   | 28424       | 1   | Breather Element              |
| 209   | 650902      | 2   | Screw, 10-32 x 7/16"          |
| 210   | 27793       | 1   | Conduit Clip                  |
| 211   | 28942       | 1   | Screw, 10-32 x 3/8"           |
| 260   | 36292       | 1   | Blower Housing                |
| 261   | 650788      | 2   | Screw, 5/16-18 x 3/4"         |
| 262   | 29747B      | 2   | Screw, T-40, 5/16-24 x 21/32" |
| 263   | 35963       | 1   | Trim Ring                     |
| 286A  | 35962       | 1   | Cup & Screen                  |
| 314   | 650873      | 2   | Screw, 1/4-20 x 3/4"          |
| 319   | 650735      | 1   | Screw, 10-24 x 3/8"           |
| 320   | 611175A     | 1   | Regulator                     |
| 322   | 610921      | 1   | Connector Body                |
| 323   | 610922      | 2   | Terminal                      |
| 323A  | 611259      | 1   | Terminal                      |
| 323B  | 611260      | 1   | Terminal                      |
| 326   | 36210       | 1   | Screen Plug                   |
| 347   | 650949      | 3   | Screw, 10-32 x 9/16"          |
| 370G  | 35274       | 1   | Oil Instruction Decal         |
| 394   | 650948      | 1   | Washer                        |