

Ref #	Part Number	Qty	Description
	1 36479A	1	Cylinder (Incl. 2,7,20 & 125)
	2 26727	2	Dowel Pin
	6 33734	1	Breather Element
	7 36557	1	Breather Body Ass'y. (Incl. 6 & 12A)
12A	36558	1	Breather Cover & Tube
	14 28277	1	Washer
	15 30589	1	Governor Rod (Incl. 14)
	16 31383A	1	Governor Lever
	17 31335	1	Governor Lever Clamp
	18 650548	1	Screw, 8-32 x 5/16"
	19 31361	1	Extension Spring
	20 32600	1	Oil Seal
	30 35482	1	Crankshaft
	40 35544A	1	Piston, Pin & Ring Set (Std.)
	40 35545A	1	Piston, Pin & Ring Set (.010" OS)
	40 35546	1	Piston, Pin & Ring Set (.020" OS)
	41 35541	1	Piston & Pin Ass'y. (Std.) (Incl. 43)
	41 35542	1	Piston & Pin Ass'y. (.010" OS) (Incl. 43)
	41 35543	1	Piston & Pin Ass'y. (.020" OS) (Incl. 43)
	42 35547A	1	Ring Set (Std.)
	42 35548A	1	Ring Set (.010" OS)
	42 35549	1	Ring Set (.020" OS)
	43 20381	2	Piston Pin Retaining Ring
	45 30963B	1	Connecting Rod Ass'y (Incl. 46)
	46 32610A	2	Connecting Rod Bolt
	48 27241	2	Valve Lifter
	50 35992	1	Camshaft (MCR)
	52 29914	1	Oil Pump Ass'y.
	69 35261	1	* Mounting Flange Gasket
	70 34311D	1	Mounting Flange (Incl. 72 thru 83)
	72 36083	1	Oil Drain Plug
	75 27897	1	Oil Seal
	80 30574A	1	Governor Shaft
	81 30590A	1	Washer
	82 30591	1	Governor Gear Ass'y. (Incl. 81)
	83 30588A	1	Governor Spool
	86 650488	6	Screw, 1/4-20 x 1-1/4"
	89 611004	1	Flywheel Key
	90 611112	1	Flywheel
	92 650815	1	Belleville Washer
	93 650816	1	Flywheel Nut
	100 34443A	1	Solid State Ignition
	101 610118	1	Spark Plug Cover
	103 651007	2	Screw, Torx T-15, 10-24 x 15/16"
	110 34961	1	Ground Wire
110A	36230	1	Ground Wire
	119 36440	1	* Cylinder Head Gasket
	120 36476	1	Cylinder Head
	125 36471	1	Exhaust Valve (Std.) (Incl. 151)
	125 36472	1	Exhaust Valve (1/32" OS) (Incl. 151)
	126 29314B	1	Intake Valve (Std.) (Incl. 151)
	126 29315C	1	Intake Valve (1/32" OS) (Incl. 151)
	130 6021A	8	Screw, 5/16-18 x 1-1/2"
	135 35395	1	Resistor Spark Plug (RJ19LM)
	150 35991	2	Valve Spring
	151 31673	2	Valve Spring Cap
151A	35390	1	Intake Valve Seal
169	27234A	1	* Valve Cover Gasket

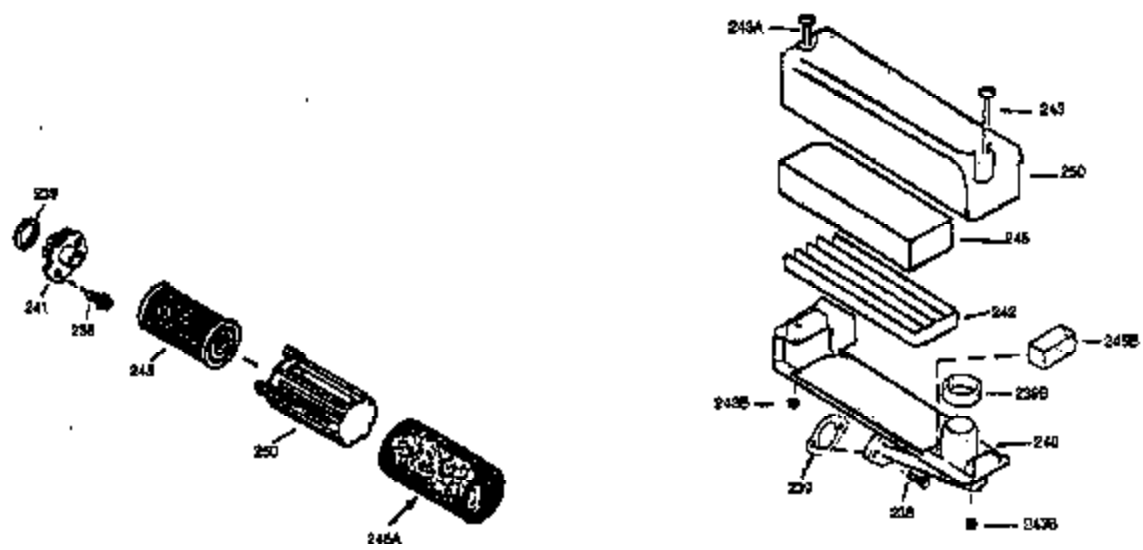
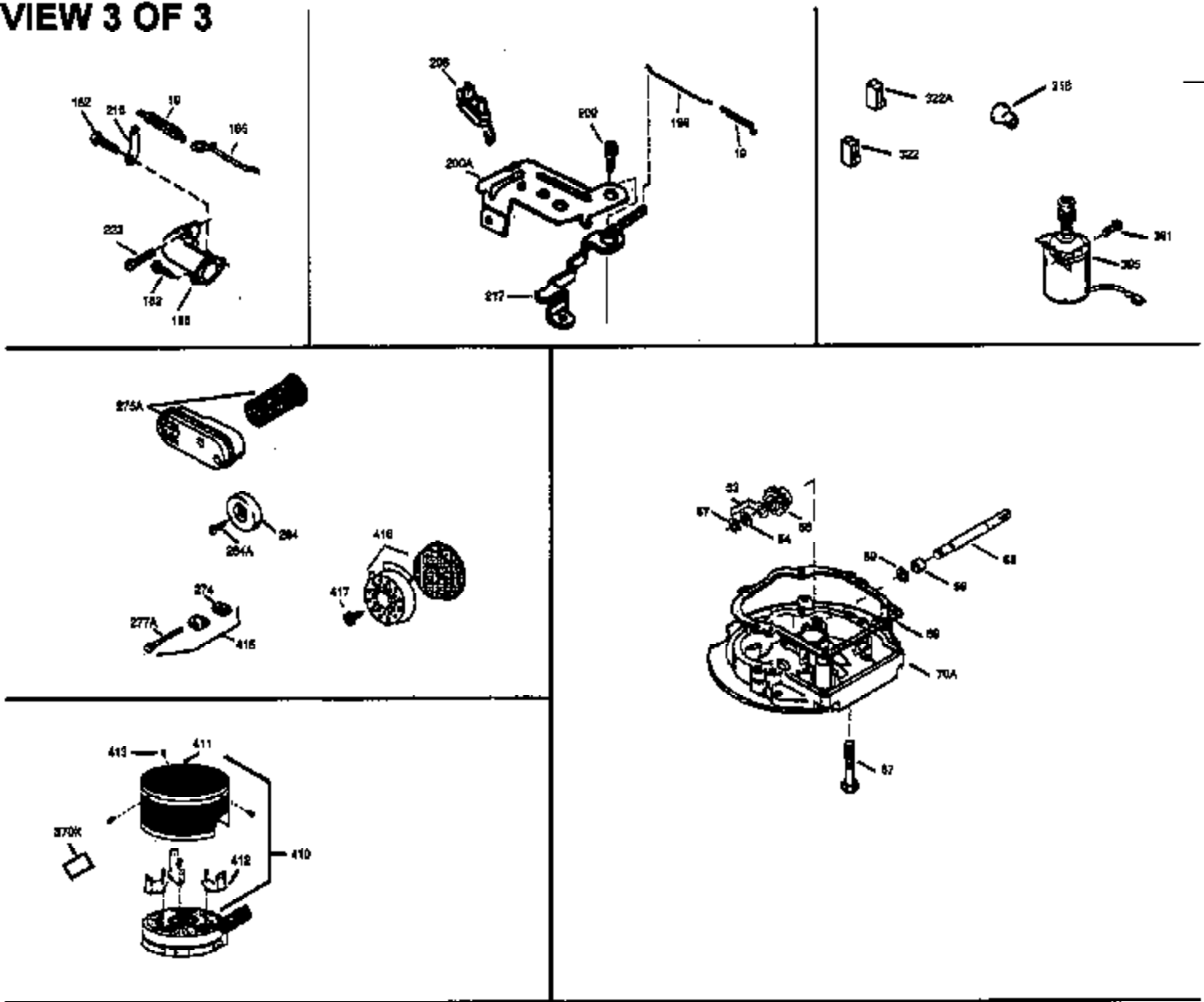
Ref #	Part Number	Qty	Description
172	32755	1	Valve Cover
174	30200	2	Screw, 10-24 x 9/16"
178	29752	2	Nut & Lock Washer, 1/4-28
179	30593	1	Retainer Clip
182	6201	2	Screw, 1/4-28 x 7/8"
184	26756	1	* Carburetor To Intake Pipe Gasket
185	31384A	1	Intake Pipe (Incl. 224)
189	650839	1	Screw, 1/4-20 x 3/8"
190	35831	1	Brake Lever
191	35015B	1	S.E. Brake Bracket (Incl. 195)
192	34966	1	Brake Control Link
193	34965	1	Brake Spring
194	32309	1	Retaining Ring
195	610973	1	Terminal
200	33131A	1	Control Bracket (Incl. 202 thru 206)
202	36482	1	Compression Spring
203	31342	1	Compression Spring
204	650549	1	Screw, 5-40 x 7/16"
205	650777	1	Screw, 6-32 x 21/32"
206	610973	1	Terminal
207	34336	1	Throttle Link
209	30200	2	Screw, 10-24 x 9/16"
210	27793	1	Conduit Clip
211	28942	1	Screw, 10-32 x 3/8"
223	650451	2	Screw, 1/4-20 x 1"
224	34690A	1	* Intake Pipe Gasket
238	650806	2	Screw, 10-32 x 5/8"
239	34338	1	* Air Cleaner Gasket
240	34858	1	Air Cleaner Body
245	34340	1	Air Cleaner Filter
250	34341B	1	Air Cleaner Cover
260	35484	1	Blower Housing
261	30200	2	Screw, 10-24 x 9/16"
262	650831	2	Screw, 1/4-20 x 1/2"
275	36473	1	Muffler (Incl. 277)
277	650988	2	Screw, 1/4-20 x 2-5/16"
285	35000A	1	Starter Cup
287	650926	2	Screw, 8-32 x 21/64"
290	30705	1	Fuel Line
292	26460	2	Fuel Line Clamp
298	28763	3	Screw, 10-32 x 35/64"
300	34476A	1	Fuel Tank (Incl. 292 & 301)
301	33032	1	Fuel Cap
305	35577	1	Oil Fill Tube
306	34265	1	* "O"-Ring
307	35499	1	"O"-Ring
309	650562	1	Screw, 10-32 x 1/2"
310	35578	1	Dipstick
313	34080	1	Spacer
324	33177	1	Terminal
327	35392	1	Starter Plug
370A	36261	1	Lubrication Decal
380	632046A	1	Carburetor (Incl. 184)
390	590694	1	Rewind Starter (NOTE: This engine could have been built with 590686 starter. Refer to the design of the air intake louvers for part identification. Individual starter parts do not interchange.)

Ref #	Part Number	Qty	Description
400	36480	1	* Gasket Set (Incl. items marked PK i n notes) Incl. part #'s: 26756 (1), 27234A (1), 33735 (1), 34265 (1), 34338 (1), 34690A (1), 35261 (1), 36440 (1).
420	730225	1	SAE 30 4-Cycle Engine Oil (Quart)
514	36458	1	Brake Lock Out Device (Incl. 515) WARNING!Do not use the brake lock out device on engines required to meet CPSC safety standard for walkbehind power lawnmowers, Title 16, Part 1205 of the code Of Federal Regulations or you will be in violation of the law.
515	650926	1	Screw, 8-32 x 21/64"

Ref #	Part Number	Qty	Description
238	650806	2	Screw, 10-32 x 5/8"
239	34338	1	* Air Cleaner Gasket
245	34340	1	Air Cleaner Filter
250	34341B	1	Air Cleaner Cover
357	36412	1	Starter Rope Retainer

ILLUSTRATION SHOWS TYPICAL PARTS ONLY. ORDER BY PART NUMBER. PARTS NOT LISTED ARE SUPPLIED BY OEM.

VIEW 3 OF 3



Ref #	Part Number	Qty	Description
19	31361	1	Extension Spring
69	35261	1	* Mounting Flange Gasket
182	6201	2	Screw, 1/4-28 x 7/8"
185	31384A	1	Intake Pipe (Incl. 224)
186	34337	1	Governor Link
206	610973	1	Terminal
209	30200	2	Screw, 10-24 x 9/16"
223	650451	2	Screw, 1/4-20 x 1"
238	650806	2	Screw, 10-32 x 5/8"
239	34338	1	* Air Cleaner Gasket
240	34858	1	Air Cleaner Body
245	34340	1	Air Cleaner Filter
250	34341B	1	Air Cleaner Cover
284A	650760	1	Screw, 8-32 x 3/8"
284	34422	1	Muffler Deflector