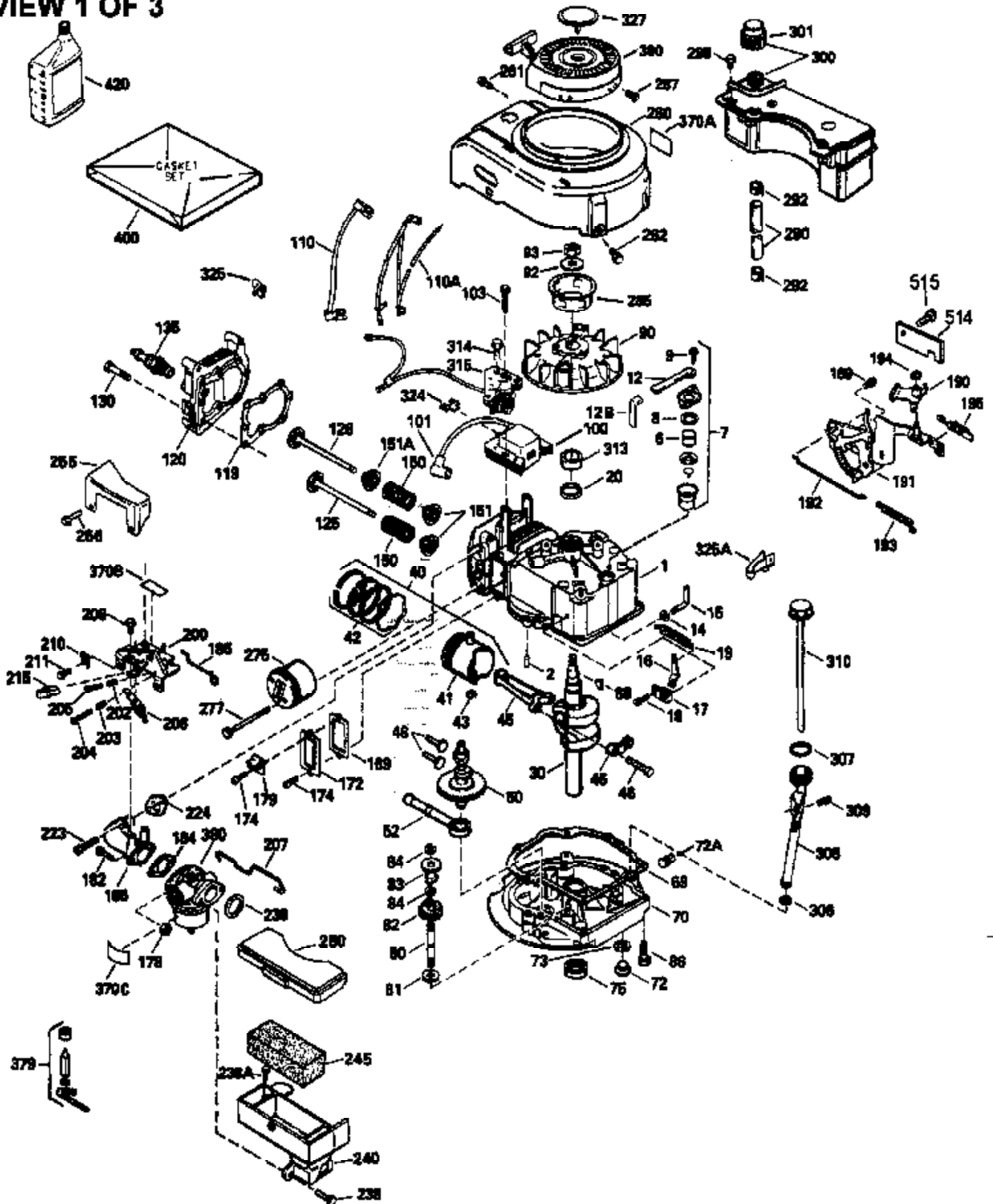


VIEW 1 OF 3



| Ref # | Part Number | Qty | Description |
|-------|-------------|-----|--|
| 1 | 35010 | | Cylinder (Incl. 2 & 20)(2-5/8" Bore) |
| 2 | 26727 | | Pin, Dowel |
| 6 | 33734 | | Element, Breather |
| 7 | 34214A | | Breather Ass'y. (Incl. 6, 8, 9, 12 , & 12A) |
| 8 | 33735 | | * Gasket, Breather |
| 9 | 30200 | | Screw, 10-24 x 9/16" |
| 12 | 33886 | | Tube, Breather |
| 14 | 28277 | | Washer, Flat |
| 15 | 30589 | | Rod, Governor (Incl. 14) |
| 16 | 31383A | | Lever, Governor |
| 17 | 31335 | | Clamp, Governor lever |
| 18 | 650548 | | Screw, 8-32 x 5/16" |
| 19 | 31361 | | Spring, Extension |
| 20 | 32600 | | Seal, Oil |
| 30 | 34570A | | Crankshaft |
| 40 | 35544 | | Piston, Pin & Ring Set (Std.) (2-5/8" Bore) |
| 40 | 35545 | | Piston, Pin & Ring Set (.010" OS) |
| 40 | 35546 | | Piston, Pin & Ring Set (.020" OS) |
| 41 | 35541 | | Piston & Pin Ass'y. (Incl. 43)(Std.) (2-5/8") |
| 41 | 35542 | | Piston & Pin Ass'y. (Incl. 43) (.010" OS) |
| 41 | 35543 | | Piston & Pin Ass'y. (Incl. 43) (.020" OS) |
| 42 | 35547 | | Ring Set (Std.) (2-5/8" Bore) |
| 42 | 35548 | | Ring Set (.010" OS) |
| 42 | 35549 | | Ring Set (.020" OS) |
| 43 | 20381 | | Ring, Piston pin retaining |
| 45 | 32875 | | Rod Assy., Connecting (Incl. 46) |
| 46 | 32610A | | Bolt, Connecting rod |
| 48 | 27241 | | Lifter, Valve |
| 50 | 33553 | | Camshaft (MCR) |
| 52 | 29914 | | Oil Pump Assy. |
| 69 | 35261 | | * Gasket, Mounting flange |
| 70 | 35179A | | Flange Ass'y. (Incl. 72, 73, 75 & 80) |
| 72 | 30572 | | Plug, Oil drain (Incl. 73) |
| 73 | 28833 | | * Drain Plug Gasket (Not req. W/plastic plug) |
| 75 | 27897 | | Seal, Oil |
| 80 | 30574 | | Shaft, Governor |
| 81 | 30590A | | Washer, Flat |
| 82 | 30591 | | Gear Assy., Governor (Incl. 81) |
| 83 | 30588A | | Spool, Governor |
| 84 | 29193 | | Ring, Retaining |
| 86 | 650488 | | Screw, 1/4-20 x 1-1/4" |
| 89 | 610961 | | Flywheel Key |
| 90 | 611123 | | Flywheel |
| 92 | 650815 | | Washer, Belleville |
| 93 | 650816 | | Nut, Flywheel |
| 100 | 34443A | | Solid State Ignition |
| 100 | 730207 | | Magneto-to-Solid State Conv. Kit (Includes solid state module, solid state flywheel key, and instructions.) (Use as required on external ignition engines only.) |
| 101 | 610118 | | Cover, Spark plug (Use as required) |
| 103 | 650814 | | Screw, Torx T-15, 10-24 x 1" |
| 110 | 34231 | | Ground Wire |
| 118 | 730194 | | Rope Guide Kit (Use as required) |
| 119 | 33015A | | * Gasket, Head |
| 120 | 34342 | | Head, Cylinder |
| 125 | 29314B | | Intake Valve (Std.) (Incl. 151) (Conventional Ports) |
| 125 | 29315C | | Intake Valve (1/32" OS) (Incl. 151) (Conventional Ports) |

| Ref # | Part Number | Qty | Description |
|-------|-------------|-----|---|
| 125 | 29313C | | Exhaust Valve (Std.) (Incl. 151) (Inverted Ports) |
| 126 | 29313C | | Exhaust Valve (Std.) (Incl. 151) (Conventional Ports) |
| 126 | 29315C | | Exhaust Valve (1/32" OS) (Incl. 151) (Conventional Ports) |
| 126 | 34776 | | Exhaust Valve (Std.) (Incl. 151) (Conventional Ports) |
| 126 | 32644A | | Intake Valve (Incl. 151) (Inverted Ports) |
| 130 | 6021A | | Screw, 5/16-18 x 1-1/2" (Use as required) |
| 130 | 650697A | | Screw, 5/16-18 x 2-1/2" (Use as required) |
| 135 | 35395 | | Resistor Spark Plug (RJ19LM) |
| 150 | 31672 | | Spring, Valve |
| 151 | 31673 | | Cap, Lower valve spring |
| 169 | 27234A | | Gasket, Valve spring box cover |
| 172 | 32755 | | Cover, Valve spring box |
| 174 | 650128 | | Screw, 10-24 x 1/2" |
| 178 | 29752 | | Nut & Lockwasher, 1/4-28 |
| 182 | 6201 | | Screw, 1/4-28 x 7/8" |
| 184 | 26756 | | * Gasket, Carburetor |
| 186 | 34337 | | Link, Governor spring |
| 200 | 33205A | | Control Bracket (Incl. 202 thru 206) |
| 202 | 33802 | | Spring, Compression |
| 203 | 31342 | | Spring, Compression |
| 204 | 650549 | | Screw, 5-40 x 7/16" |
| 205 | 650777 | | Screw, 6-32 x 21/32" |
| 206 | 610973 | | Terminal (Use as required) |
| 207 | 34336 | | Link, Throttle |
| 209 | 30200 | | Screw, 10-24 x 9/16" |
| 215 | 32410 | | Knob, Speed control |
| 223 | 650451 | | Screw, 1/4-20 x 1" |
| 224 | 34690A | | * Gasket, Intake pipe |
| 238 | 650806 | | Screw, 10-32 x 5/8" |
| 239 | 34338 | | * Gasket, Air cleaner |
| 240 | 34858 | | Body, Air cleaner |
| 246E | 35435 | | Filter, Pre-air (Use as required) |
| 246 | 34340 | | Element, Air cleaner |
| 250 | 34341A | | Cover, Air cleaner |
| 260B | 35757 | | Housing, Blower |
| 261 | 30200 | | Screw, 10-24 x 9/16" |
| 262 | 650831 | | Screw, 1/4-20 x 15/32" |
| 275 | 35708 | | Muffler (Incl. 277) |
| 277 | 650795 | | Screw, 1/4-20 x 2-1/4" (Use as required) |
| 277 | 650774 | | Screw, 1/4-20 x 2-3/8" (Use as required) |
| 277 | 792005 | | Screw, 1/4-20 x 2-1/2" (Use as required) |
| 285 | 35000 | | Hub, Starter |
| 287B | 650884 | | Screw, 8-32 x 1/2" |
| 290 | 34357 | | Fuel Line (Epichlorohydrin 6-3/4")(17 cm) |
| 290 | 29774 | | Fuel Line(Braided 8-1/4")(21 cm)(Use as req.) |
| 290 | 30705 | | Fuel Line (Braided 16")(40 cm)(Use as req.) |
| 290 | 30962 | | Fuel Line (Braided 32")(81 cm)(Use as req.) |
| 292 | 26460 | | Clamp, Fuel line |
| 300 | 32170A | | Fuel Tank (Incl. 292 & 301) |
| 301 | 33032 | | Fuel Cap (Use as required) |
| 305 | 35577 | | Tube, Oil fill |
| 306 | 34265 | | Gasket, Oil fill tube |
| 306 | 34282 | | "O" Ring (This "O" ring is required with metal fill tube only when replacement mounting flange with .777 dia. oil fill hole has been used.) |
| 307 | 35499 | | "O" Ring |
| 309 | 650562 | | Screw, 10-32 x 1/2" |

| Ref # | Part Number | Qty | Description |
|-------|-------------|-----|--|
| 310 | 35578 | | Dipstick |
| 313 | 34080 | | Spacer, Flywheel key |
| 327 | 35392 | | Plug, Starter |
| 370C | 35344 | | Decal, Speed control |
| 370H | 34387 | | Decal, Instruction (Optional) |
| 370J | 34870 | | Decal, Instruction (Optional) |
| 370A | 34346 | | Decal, Instruction |
| 379 | 631021 | | Inlet Needle, Seat & Clip Assy. |
| 380 | 632078A | | Carburetor (Incl. 184) (Refer to Division 5, Section A, page A2-10 or Fiche 8A, Grid E-13 for breakdown) |
| 390B | 590635 | | Rewind Starter (Refer to Division 5, Section C, page 34 or Fiche 8A, Grid G-5 for breakdown) |
| 400 | 33238D | | * Gasket Set (Incl. items marked *) |
| 420 | 730225 | | SAE 30, 4-Cycle Engine Oil (Quart) |
| 425 | 730571 | | Starter Muff Kit (Incl.370J,426,427)(Opt.) |
| 426 | 32203 | | Starter Air Cleaner (Optional) |
| 427 | 32204 | | Starter Air Cleaner Bracket (Optional) |
| 436 | 611006 | | Stator Plate Ass'y.(Incl.377,378,437, 442-448) |
| 437 | 30551 | | Spring, Breaker box cover |
| 438 | 610947 | | Cover, Dust |
| 439 | 610955 | | Gasket, Stator cover |
| 440 | 30992 | | Cam, Breaker |
| 442 | 610385 | | Washer |
| 443 | 610408 | | Nut, 8-32 |
| 444 | 29181 | | Breaker Fastening Screw & Washer |
| 445 | 610593 | | Condenser Fastening Screw |
| 446 | 33356 | | Terminal, Ground |

VIEW 2 OF 3



| Ref # | Part Number | Qty | Description |
|-------|-------------|-----|--|
| 118 | 730194 | | Rope Guide Kit (Use as required) |
| 238 | 650806 | | Screw, 10-32 x 5/8" |
| 239 | 34338 | | * Gasket, Air cleaner |
| 246 | 34340 | | Element, Air cleaner |
| 246E | 35435 | | Filter, Pre-air (Use as required) |
| 250 | 34341A | | Cover, Air cleaner |
| 260B | 35757 | | Housing, Blower |
| 287B | 650884 | | Screw, 8-32 x 1/2" |
| 287A | 650735 | | Screw, 10-24 x 3/8" (Use as required) |
| 287A | | | Pop Rivet (3/16" Dia.) (Purchase locally) |
| 370J | 34870 | | Decal, Instruction (Optional) |
| 370 | 550223 | | Decal, Name |
| 370H | 34387 | | Decal, Instruction (Optional) |
| 390B | 590635 | | Rewind Starter (Refer to Division 5, Section C, page 34 or Fiche 8A, Grid G-5 for breakdown) |
| 425 | 730571 | | Starter Muff Kit (Incl.370J,426,427)(Opt.) |
| 426 | 32203 | | Starter Air Cleaner (Optional) |
| 427 | 32204 | | Starter Air Cleaner Bracket (Optional) |
| 436 | 611006 | | Stator Plate Ass'y.(Incl.377,378,437, 442-448) |
| 437 | 30551 | | Spring, Breaker box cover |
| 438 | 610947 | | Cover, Dust |
| 439 | 610955 | | Gasket, Stator cover |
| 440 | 30992 | | Cam, Breaker |
| 442 | 610385 | | Washer |
| 443 | 610408 | | Nut, 8-32 |
| 444 | 29181 | | Breaker Fastening Screw & Washer |
| 445 | 610593 | | Condenser Fastening Screw |
| 446 | 33356 | | Terminal, Ground |

VIEW 3 OF 3



| Ref # | Part Number | Qty | Description |
|-------|-------------|-----|--|
| 19 | 31361 | | Spring, Extension |
| 69 | 35261 | | * Gasket, Mounting flange |
| 118 | 730194 | | Rope Guide Kit (Use as required) |
| 182 | 6201 | | Screw, 1/4-28 x 7/8" |
| 185 | 31384A | | Pipe, Intake (Incl. 224) |
| 186 | 34337 | | Link, Governor spring |
| 206 | 610973 | | Terminal (Use as required) |
| 209 | 30200 | | Screw, 10-24 x 9/16" |
| 223 | 650451 | | Screw, 1/4-20 x 1" |
| 238 | 650806 | | Screw, 10-32 x 5/8" |
| 239 | 34338 | | * Gasket, Air cleaner |
| 240 | 34858 | | Body, Air cleaner |
| 246 | 34340 | | Element, Air cleaner |
| 246E | 35435 | | Filter, Pre-air (Use as required) |
| 250 | 34341A | | Cover, Air cleaner |
| 260B | 35757 | | Housing, Blower |
| 274 | 26754A | | * Gasket, Exhaust (Use as required) |
| 277A | 30063 | | Screw, Torx T-30, 1/4-20 x 1/2" (Use as req.) |
| 277 | 650795 | | Screw, 1/4-20 x 2-1/4" (Use as requir ed) |
| 277 | 650774 | | Screw, 1/4-20 x 2-3/8" (Use as requir ed) |
| 277 | 792005 | | Screw, 1/4-20 x 2-1/2" (Use as requir ed) |
| 287B | 650884 | | Screw, 8-32 x 1/2" |
| 370J | 34870 | | Decal, Instruction (Optional) |
| 370H | 34387 | | Decal, Instruction (Optional) |
| 390B | 590635 | | Rewind Starter (Refer to Division 5, Section C, page 34 or Fiche 8A, Grid G-5 for breakdown) |
| 410 | 730574 | | Debris Screen Kit(Incl.370H,411-413)(Opt.) |
| 411 | 35596 | | Screen, Debris (Optional) |
| 412 | 35597 | | Bracket, Debris screen (Optional) |
| 413 | 650910 | | Screw, 8-32 x 1/4 (Optional) |
| 415 | 730162 | | Muffler Adapter Kit(Incl.274,277)(Use as req) |
| 425 | 730571 | | Starter Muff Kit (Incl.370J,426,427)(Opt.) |
| 426 | 32203 | | Starter Air Cleaner (Optional) |
| 427 | 32204 | | Starter Air Cleaner Bracket (Optional) |
| 436 | 611006 | | Stator Plate Ass'y.(Incl.377,378,437, 442-448) |
| 437 | 30551 | | Spring, Breaker box cover |
| 438 | 610947 | | Cover, Dust |
| 439 | 610955 | | Gasket, Stator cover |
| 440 | 30992 | | Cam, Breaker |
| 442 | 610385 | | Washer |
| 443 | 610408 | | Nut, 8-32 |
| 444 | 29181 | | Breaker Fastening Screw & Washer |
| 445 | 610593 | | Condenser Fastening Screw |
| 446 | 33356 | | Terminal, Ground |