

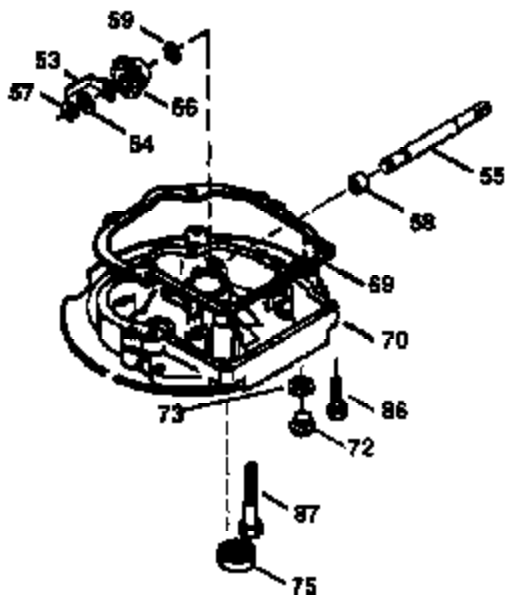
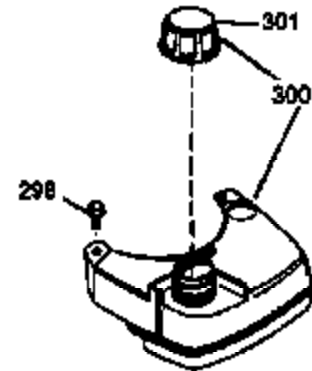


| Ref # | Part Number | Qty | Description                               |
|-------|-------------|-----|---|
|       | 1 36478A    | 1   | Cylinder (Incl. 2,7,20 & 125)             |
|       | 2 26727     | 2   | Dowel Pin                                 |
|       | 6 33734     | 1   | Breather Element                          |
|       | 7 36557     | 1   | Breather Ass'y. (Incl. 6 & 12A)           |
| 12B   | 34695       | 1   | Breather Tube Elbow                       |
| 12A   | 36558       | 1   | Breather Cover & Tube (Incl. 12B)         |
|       | 14 28277    | 1   | Washer                                    |
|       | 15 30589    | 1   | Governor Rod (Incl. 14)                   |
|       | 16 32651    | 1   | Governor Lever                            |
|       | 17 31335    | 1   | Governor Lever Clamp                      |
|       | 18 651018   | 1   | Screw, Torx T-15, 8-32 x 19/64"           |
|       | 19 31361    | 1   | Extension Spring                          |
|       | 20 32600    | 1   | Oil Seal                                  |
|       | 30 35798    | 1   | Crankshaft                                |
|       | 40 36073    | 1   | Piston, Pin & Ring Set (Std.)             |
|       | 40 36074    | 1   | Piston, Pin & Ring Set (.010" OS)         |
|       | 40 36075    | 1   | Piston, Pin & Ring Set (.020" OS)         |
|       | 41 36070    | 1   | Piston & Pin Ass'y. (Std.) (Incl. 43)     |
|       | 41 36071    | 1   | Piston & Pin Ass'y. (.010" OS) (Incl. 43) |
|       | 41 36072    | 1   | Piston & Pin Ass'y. (.020" OS) (Incl. 43) |
|       | 42 36076    | 1   | Ring Set (Std.)                           |
|       | 42 36077    | 1   | Ring Set (.010" OS)                       |
|       | 42 36078    | 1   | Ring Set (.020" OS)                       |
|       | 43 20381    | 2   | Piston Pin Retaining Ring                 |
|       | 45 30963B   | 1   | Connecting Rod Ass'y. (Incl. 46)          |
|       | 46 32610A   | 2   | Connecting Rod Bolt                       |
|       | 48 27241    | 2   | Valve Lifter                              |
|       | 50 36726    | 1   | Camshaft (RCR)                            |
|       | 52 29914    | 1   | Oil Pump Ass'y.                           |
|       | 69 35261    | 1   | * Mounting Flange Gasket                  |
|       | 70 34311D   | 1   | Mounting Flange (Incl. 72 thru 83)        |
|       | 72 36083    | 1   | Oil Drain Plug                            |
|       | 75 27897    | 1   | Oil Seal                                  |
|       | 80 30574A   | 1   | Governor Shaft                            |
|       | 81 30590A   | 1   | Washer                                    |
|       | 82 30591    | 1   | Governor Gear Ass'y.(Incl. 81)            |
|       | 83 30588A   | 1   | Governor Spool                            |
|       | 86 650488   | 6   | Screw, 1/4-20 x 1-1/4"                    |
|       | 89 611004   | 1   | Flywheel Key                              |
|       | 90 611112   | 1   | Flywheel                                  |
|       | 92 650815   | 1   | Belleville Washer                         |
|       | 93 650816   | 1   | Flywheel Nut                              |
| 100   | 34443A      | 1   | Solid State Ignition                      |
| 101   | 610118      | 1   | Spark Plug Cover                          |
| 103   | 651007      | 2   | Screw, Torx T-15, 10-24 x 15/16"          |
| 110   | 34961       | 1   | Ground Wire                               |
| 119   | 36477       | 1   | * Cylinder Head Gasket                    |
| 120   | 36476       | 1   | Cylinder Head                             |
| 125   | 36471       | 1   | Exhaust Valve (Std.) (Incl. 151)          |
| 125   | 36472       | 1   | Exhaust Valve (1/32" OS) (Incl. 151)      |
| 126   | 29314B      | 1   | Intake Valve (Std.) (Incl. 151)           |
| 126   | 29315C      | 1   | Intake Valve (1/32" OS) (Incl. 151)       |
| 130   | 6021A       | 8   | Screw, 5/16-18 x 1-1/2"                   |
| 135   | 35395       | 1   | Resistor Spark Plug (RJ19LM)              |
| 150   | 35991       | 2   | Valve Spring                              |
| 151   | 31673       | 2   | Valve Spring Cap                          |
| 169   | 27234A      | 1   | * Valve Cover Gasket                      |
| 172   | 32755       | 1   | Valve Cover                               |

| Ref # | Part Number | Qty | Description  |
|-------|-------------|-----|--|
| 174   | 30200       | 2   | Screw, 10-24 x 9/16"   |
| 178   | 29752       | 2   | Nut & Lock Washer, 1/4-28  |
| 182   | 6201        | 2   | Screw, 1/4-28 x 7/8"   |
| 184   | 26756       | 1   | * Carburetor To Intake Pipe Gasket   |
| 185   | 36544       | 1   | Intake Pipe  |
| 186   | 34358       | 1   | Governor Link  |
| 189   | 650839      | 2   | Screw, 1/4-20 x 3/8"   |
| 191   | 36568       | 1   | S.E. Brake Bracket (Incl. 195)   |
| 195   | 610973      | 1   | Terminal   |
| 200   | 35727       | 1   | Control Bracket (Incl. 202 thru 205)   |
| 202   | 36482       | 1   | Compression Spring   |
| 203   | 31342       | 1   | Compression Spring   |
| 204   | 650549      | 1   | Screw, 5-40 x 7/16"  |
| 205   | 650777      | 1   | Screw, 6-32 x 21/32"   |
| 207   | 34336       | 1   | Throttle Link  |
| 209   | 30200       | 2   | Screw, 10-24 x 9/16"   |
| 215   | 32410       | 1   | Control Knob   |
| 223   | 650451      | 2   | Screw, 1/4-20 x 1"   |
| 224   | 34690A      | 1   | * Intake Pipe Gasket   |
| 238   | 650932      | 1   | Screw, 10-32 x 49/64"  |
| 245   | 35066       | 1   | Air Cleaner Filter   |
| 250   | 35065       | 1   | Air Cleaner Cover  |
| 260   | 36915       | 1   | Blower Housing   |
| 261   | 30200       | 2   | Screw, 10-24 x 9/16"   |
| 262   | 650831      | 2   | Screw, 1/4-20 x 1/2"   |
| 275   | 27181C      | 1   | Muffler (Incl. 277)  |
| 277   | 650795      | 2   | Screw, 1/4-20 x 2-1/4"   |
| 285   | 35000A      | 1   | Starter Cup  |
| 287   | 650926      | 2   | Screw, 8-32 x 21/64"   |
| 290   | 29774       | 1   | Fuel Line  |
| 292   | 26460       | 2   | Fuel Line Clamp  |
| 300   | 36916       | 1   | Fuel Tank (Incl. 292 & 301)  |
| 301   | 36246       | 1   | Fuel Cap   |
| 305   | 35647       | 1   | Oil Fill Tube  |
| 306   | 36832       | 1   | * "O"-Ring   |
| 307   | 35499       | 1   | "O"-Ring   |
| 309   | 650562      | 1   | Screw, 10-32 x 1/2"  |
| 310   | 35648       | 1   | Dipstick   |
| 313   | 34080       | 1   | Spacer   |
| 370C  | 36861       | 1   | Primer Decal   |
| 370K  | 36695       | 1   | Starter Decal  |
| 370A  | 36261       | 1   | Lubrication Decal  |
| 370B  | 35167       | 1   | Control Decal  |
| 380   | 632750      | 1   | Carburetor (Incl. 184)   |
| 390   | 590694      | 1   | Rewind Starter (NOTE: This engine could have been built with 590737 starter. Refer to the design of the rope pulley strength ribs for part identification. Individual starter parts do not interchange.) |
| 400   | 36481       | 1   | * Gasket Set (Incl. items marked PK in notes) Incl. part #'s: 26756 (1), 27234A (1), 33735 (1), 36832 (1), 34338 (1), 34690A (1), 35261 (1), 36477 (1)   |
| 900   | 0           | 1   | Replacement Engine 750780, order from 71-999   |
| 900   | 0           | 1   | Replacement S/B 750733A, order from 71-999   |

ILLUSTRATION SHOWS TYPICAL PARTS ONLY. ORDER BY PART NUMBER. PARTS NOT LISTED ARE SUPPLIED BY OEM.

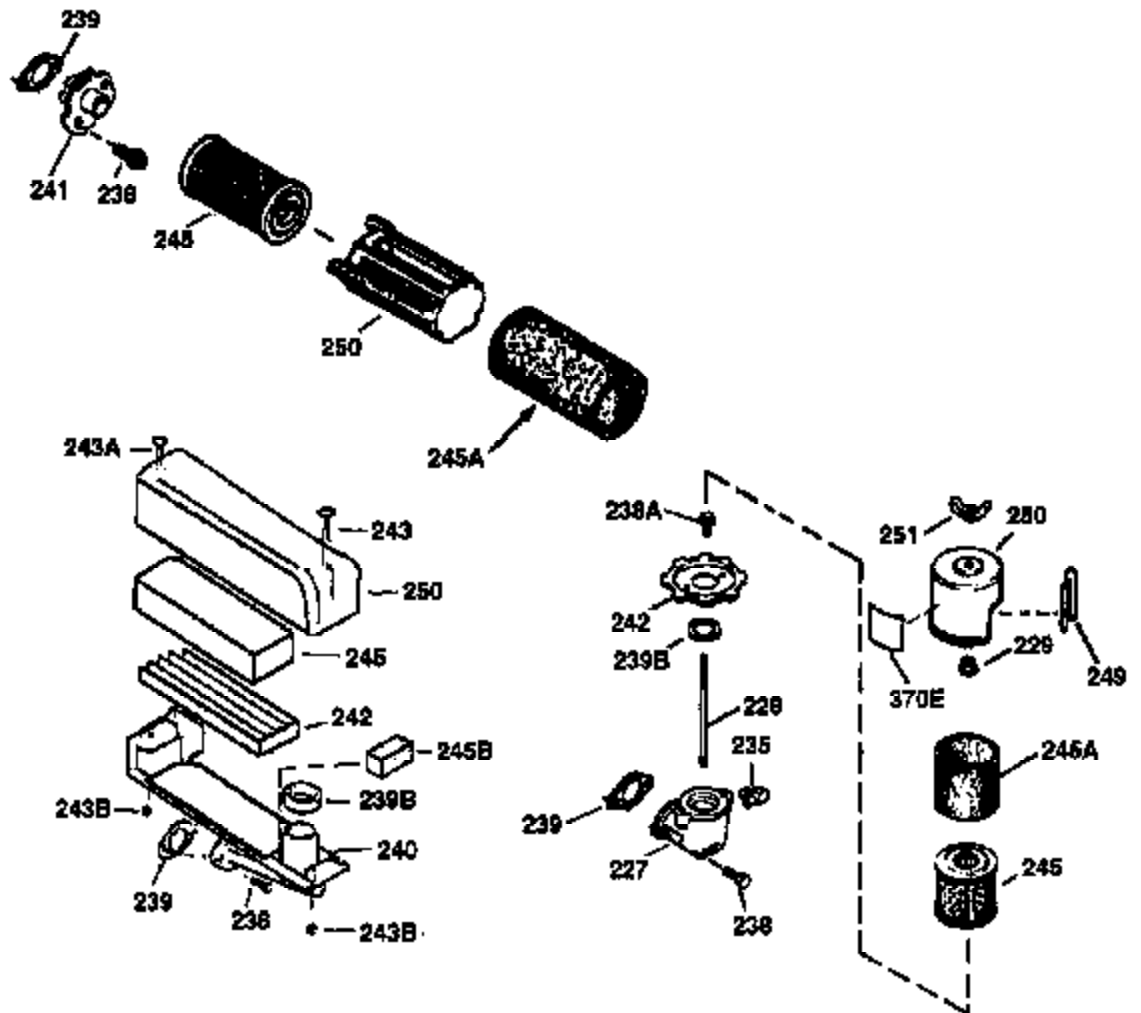
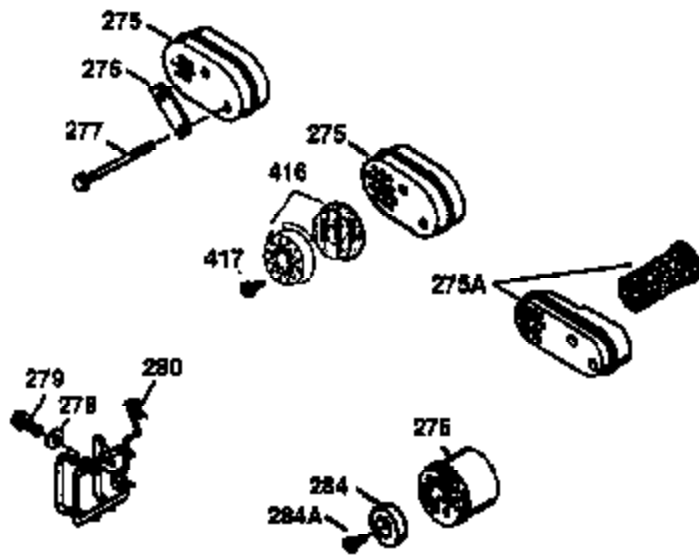
### VIEW 2 OF 3



| Ref # | Part Number | Qty | Description  |
|-------|-------------|-----|--|
| 12A   | 36558       | 1   | Breather Cover & Tube (Incl. 12B)  |
| 19    | 31361       | 1   | Extension Spring   |
| 69    | 35261       | 1   | * Mounting Flange Gasket   |
| 70    | 34311D      | 1   | Mounting Flange (Incl. 72 thru 83)   |
| 72    | 36083       | 1   | Oil Drain Plug   |
| 75    | 27897       | 1   | Oil Seal   |
| 86    | 650488      | 6   | Screw, 1/4-20 x 1-1/4"   |
| 182   | 6201        | 2   | Screw, 1/4-28 x 7/8"   |
| 185   | 36544       | 1   | Intake Pipe  |
| 186   | 34358       | 1   | Governor Link  |
| 223   | 650451      | 2   | Screw, 1/4-20 x 1"   |
| 238   | 650932      | 1   | Screw, 10-32 x 49/64"  |
| 239   | 34338       | 1   | * Air Cleaner Gasket   |
| 245   | 35066       | 1   | Air Cleaner Filter   |
| 250   | 35065       | 1   | Air Cleaner Cover  |
| 287   | 650926      | 2   | Screw, 8-32 x 21/64"   |
| 298   | 28763       | 3   | Screw, 10-32 x 35/64"  |
| 300   | 36916       | 1   | Fuel Tank (Incl. 292 & 301)  |
| 301   | 36246       | 1   | Fuel Cap   |
| 370K  | 36695       | 1   | Starter Decal  |
| 390   | 590694      | 1   | Rewind Starter (NOTE: This engine could have been built with 590737 starter. Refer to the design of the rope pulley strength ribs for part identification. Individual starter parts do not interchange.) |
| 900   | 0           | 1   | Replacement Engine 750780, order from 71-999   |
| 900   | 0           | 1   | Replacement S/B 750733A, order from 71-999   |

ILLUSTRATION SHOWS TYPICAL PARTS ONLY. ORDER BY PART NUMBER. PARTS NOT LISTED ARE SUPPLIED BY OEM.

### VIEW 3 OF 3



| Ref # | Part Number | Qty | Description                                  |
|-------|-------------|-----|--|
| 12A   | 36558       | 1   | Breather Cover & Tube (Incl. 12B)            |
| 90    | 611112      | 1   | Flywheel                                     |
| 238   | 650932      | 1   | Screw, 10-32 x 49/64"                        |
| 239   | 34338       | 1   | * Air Cleaner Gasket                         |
| 241   | 35797       | 1   | Air Cleaner Collar                           |
| 245   | 35066       | 1   | Air Cleaner Filter                           |
| 250   | 35065       | 1   | Air Cleaner Cover                            |
| 275   | 27181C      | 1   | Muffler (Incl. 277)                          |
| 277   | 650795      | 2   | Screw, 1/4-20 x 2-1/4"                       |
| 370K  | 36695       | 1   | Starter Decal                                |
| 900   | 0           | 1   | Replacement Engine 750780, order from 71-999 |
| 900   | 0           | 1   | Replacement S/B 750733A, order from 7 1-999  |