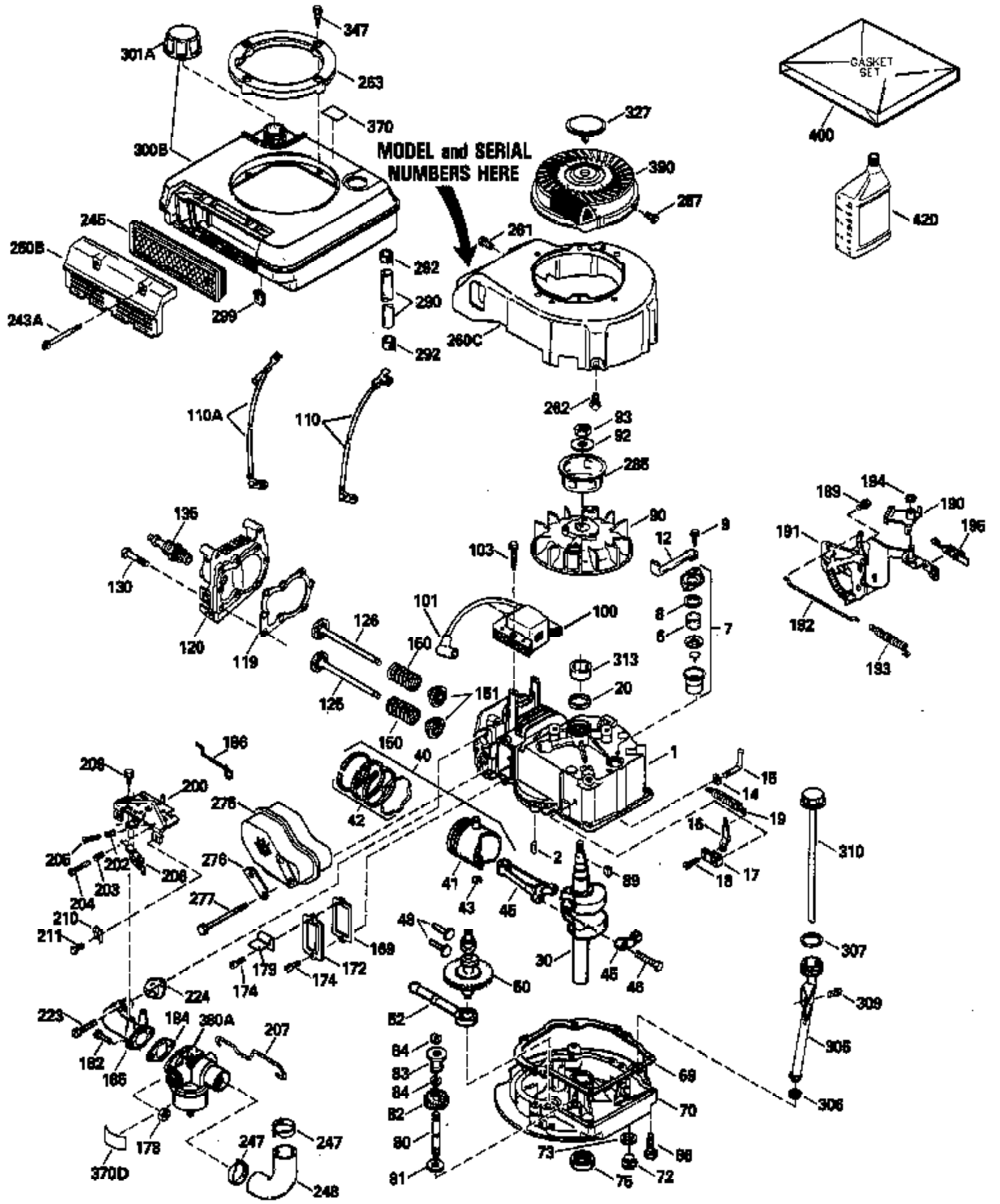


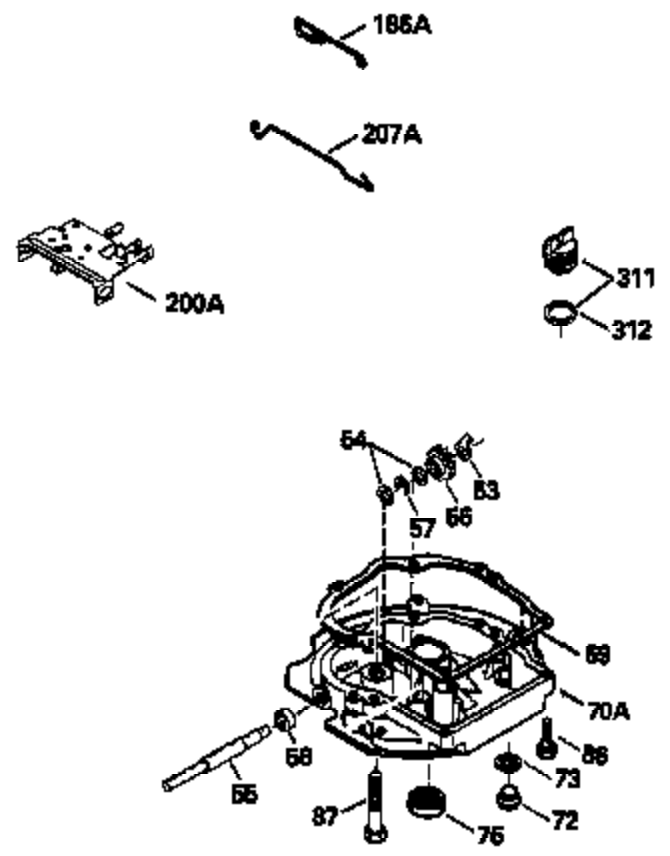
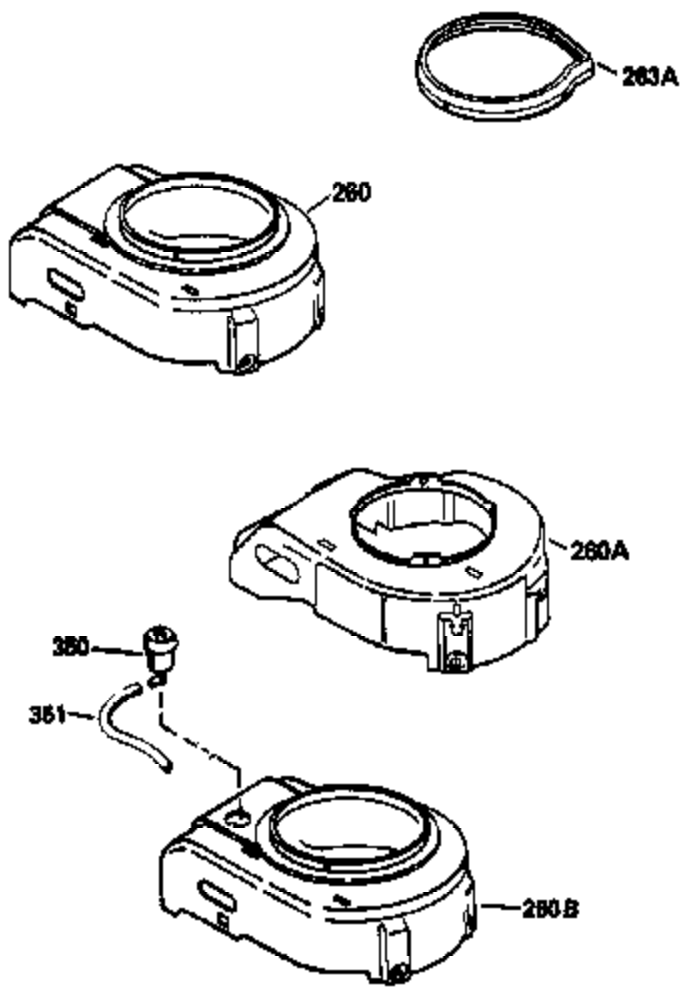
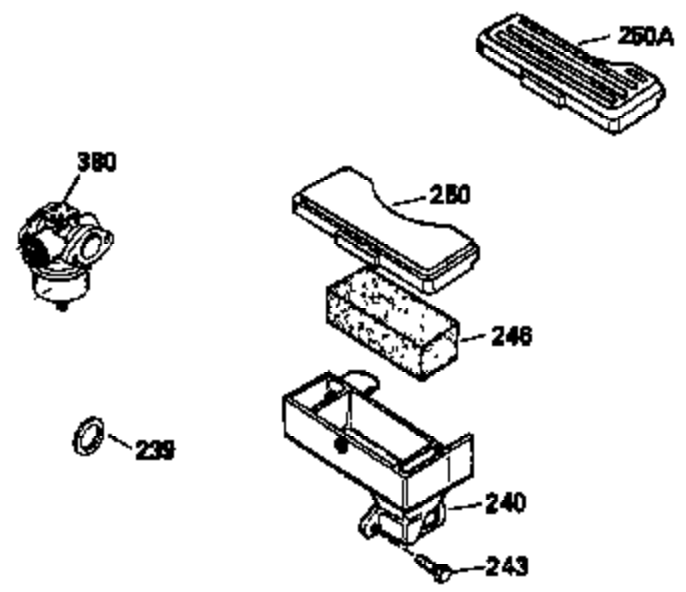
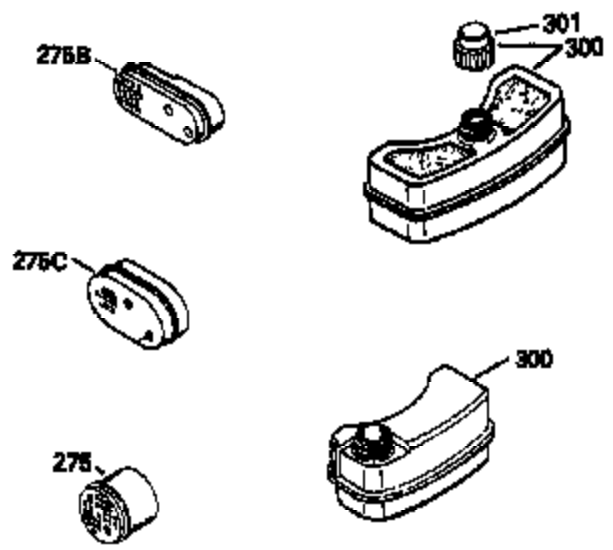
ILLUSTRATION SHOWS TYPICAL PARTS ONLY. ORDER BY PART NUMBER. PARTS NOT LISTED ARE SUPPLIED BY OEM.



Ref #	Part Number	Qty	Description
	1 36478A	1	Cylinder (Incl. 2,7,20 & 125)
	2 26727	2	Dowel Pin
	6 33734	1	Breather Element
	7 36557	1	Breather Ass'y. (Incl. 6 & 12A)
	12 36558	1	Breather Cover & Tube
	14 28277	1	Washer
	15 30589	1	Governor Rod (Incl. 14)
	16 31383A	1	Governor Lever
	17 31335	1	Governor Lever Clamp
	18 650548	1	Screw, 8-32 x 5/16"
	19 36281	1	Extension Spring
	20 32600	1	Oil Seal
	30 36231	1	Crankshaft
	40 36073	1	Piston, Pin & Ring Set (Std.)
	40 36074	1	Piston, Pin & Ring Set (.010" OS)
	40 36075	1	Piston, Pin & Ring Set (.020" OS)
	41 36070	1	Piston & Pin Ass'y. (Std.) (Incl. 43)
	41 36071	1	Piston & Pin Ass'y. (.010" OS) (Incl. 43)
	41 36072	1	Piston & Pin Ass'y. (.020" OS) (Incl. 43)
	42 36076	1	Ring Set (Std.)
	42 36077	1	Ring Set (.010" OS)
	42 36078	1	Ring Set (.020" OS)
	43 20381	2	Piston Pin Retaining Ring
	45 30963B	1	Connecting Rod Ass'y. (Incl. 46)
	46 32610A	2	Connecting Rod Bolt
	48 27241	2	Valve Lifter
	50 35992	1	Camshaft (MCR)
	52 29914	1	Oil Pump Ass'y.
	69 35261	1	* Mounting Flange Gasket
	70 36249A	1	Mounting Flange (Incl. 72 thru 83)
	72A 28534	1	Oil Drain Plug
	72 30572	1	Oil Drain Plug (Incl. 73)
	73 28833	1	Drain Plug Gasket
	75 27897	1	Oil Seal
	80 30574A	1	Governor Shaft
	81 30590A	1	Washer
	82 30591	1	Governor Gear Ass'y.(Incl. 81)
	83 30588A	1	Governor Spool
	86 650488	6	Screw, 1/4-20 x 1-1/4"
	89 611004	1	Flywheel Key
	90 611112	1	Flywheel
	92 650815	1	Belleville Washer
	93 650816	1	Flywheel Nut
	100 34443A	1	Solid State Ignition
	101 610118	1	Spark Plug Cover
	103 651007	2	Screw, Torx T-15, 10-24 x 15/16"
	110A 36260	1	Ground Wire
	110 34961	1	Ground Wire
	119 36477	1	* Cylinder Head Gasket
	120 36476	1	Cylinder Head
	125 36471	1	Exhaust Valve (Std.) (Incl. 151)
	125 36472	1	Exhaust Valve (1/32" OS) (Incl. 151)
	126 29314B	1	Intake Valve (Std.) (Incl. 151)
	126 29315C	1	Intake Valve (1/32" OS) (Incl. 151)
	130 6021A	8	Screw, 5/16-18 x 1-1/2"
	135 35395	1	Resistor Spark Plug (RJ19LM)
	150 35991	2	Valve Spring
	151 31673	2	Valve Spring Cap

Ref #	Part Number	Qty	Description
169	27234A	1	* Valve Cover Gasket
172	32755	1	Valve Cover
174	30200	2	Screw, 10-24 x 9/16"
178	29752	2	Nut & Lock Washer, 1/4-28
179	30593	1	Retainer Clip
182	6201	2	Screw, 1/4-28 x 7/8"
184	26756	1	* Carburetor To Intake Pipe Gasket
185	31384A	1	Intake Pipe (Incl. 224)
186	34337	1	Governor Link
189	650839	2	Screw, 1/4-20 x 3/8"
191	36559	1	S.E. Brake Bracket (Incl. 195)
195	610973	1	Terminal
200	35727	1	Control Bracket (Incl. 202 thru 206)
202	36482	1	Compression Spring
203	31342	1	Compression Spring
204	650549	1	Screw, 5-40 x 7/16"
205	650777	1	Screw, 6-32 x 21/32"
206	610973	1	Terminal
207	34336	1	Throttle Link
209	30200	2	Screw, 10-24 x 9/16"
215	32410	1	Control Knob
223	650451	2	Screw, 1/4-20 x 1"
224	34690A	1	* Intake Pipe Gasket
238	650806	2	Screw, 10-32 x 5/8"
245	34340	1	Air Cleaner Filter
261	30200	2	Screw, 10-24 x 9/16"
262	650831	2	Screw, 1/4-20 x 1/2"
275A	36664	1	Spark Arrestor Muffler (Optional) (Incl. 284,284A,416,417)
275	36456A	1	Muffler (Incl. 277)
277	650988	2	Screw, 1/4-20 x 2-5/16"
284A	650760	1	Screw, 8-32 x 3/8" (Optional)
284	36663	1	Muffler Deflector (Incl. 284)(Optional)
285	35000A	1	Starter Cup
287	650926	2	Screw, 8-32 x 21/64"
290	34357	1	Fuel Line
292	26460	2	Fuel Line Clamp
305	35577	1	Oil Fill Tube
306	34265	1	* "O"-Ring
307	35499	1	"O"-Ring
309	650562	1	Screw, 10-32 x 1/2"
310	35578	1	Dipstick
313	34080	1	Spacer
324	33177	1	Terminal
370B	36507	1	Control Decal
370A	36261	1	Lubrication Decal
370K	36695	1	Starter Decal
390	590732	1	Rewind Starter (NOTE: This engine could have been built with 590688 starter. Refer to the design of the air intake louvers for part identification. Individual starter parts do not interchange.)
400	36481	1	* Gasket Set (Incl. items marked PK in notes) Incl. part #'s: 26756 (1), 27234A (1), 33735 (1), 34265 (1), 34338 (1), 34690A (1), 35261 (1), 36477 (1)
416	36085	1	Spark Arrestor Kit (Incl. 417)(Optional)
417	650760	1	Screw, 8-32 x 3/8" (Optional)
420	730225	1	SAE 30 4-Cycle Engine Oil (Quart)

ILLUSTRATION SHOWS TYPICAL PARTS ONLY. ORDER BY PART NUMBER. PARTS NOT LISTED ARE SUPPLIED BY OEM.



Ref #	Part Number	Qty	Description
40	36073	1	Piston, Pin & Ring Set (Std.)
40	36074	1	Piston, Pin & Ring Set (.010" OS)
40	36075	1	Piston, Pin & Ring Set (.020" OS)
69	35261	1	* Mounting Flange Gasket
72A	28534	1	Oil Drain Plug
72	30572	1	Oil Drain Plug (Incl. 73)
73	28833	1	Drain Plug Gasket
75	27897	1	Oil Seal
86	650488	6	Screw, 1/4-20 x 1-1/4"
215	32410	1	Control Knob
238	650806	2	Screw, 10-32 x 5/8"
239	34338	1	* Air Cleaner Gasket
240	34858	1	Air Cleaner Body
250	34341B	1	Air Cleaner Cover
260	35491	1	Blower Housing
275	36456A	1	Muffler (Incl. 277)
275A	36664	1	Spark Arrestor Muffler (Optional) (Incl. 284,284A,416,417)
284A	650760	1	Screw, 8-32 x 3/8" (Optional)
284	36663	1	Muffler Deflector (Incl. 284)(Optional)
300	35586	1	Fuel Tank (Incl. 292 & 301)
301	36246	1	Fuel Cap
324	33177	1	Terminal
370K	36695	1	Starter Decal
370A	36261	1	Lubrication Decal
370B	36507	1	Control Decal
380	632670	1	Carburetor (Incl. 184)
416	36085	1	Spark Arrestor Kit (Incl. 417)(Optional)
417	650760	1	Screw, 8-32 x 3/8" (Optional)