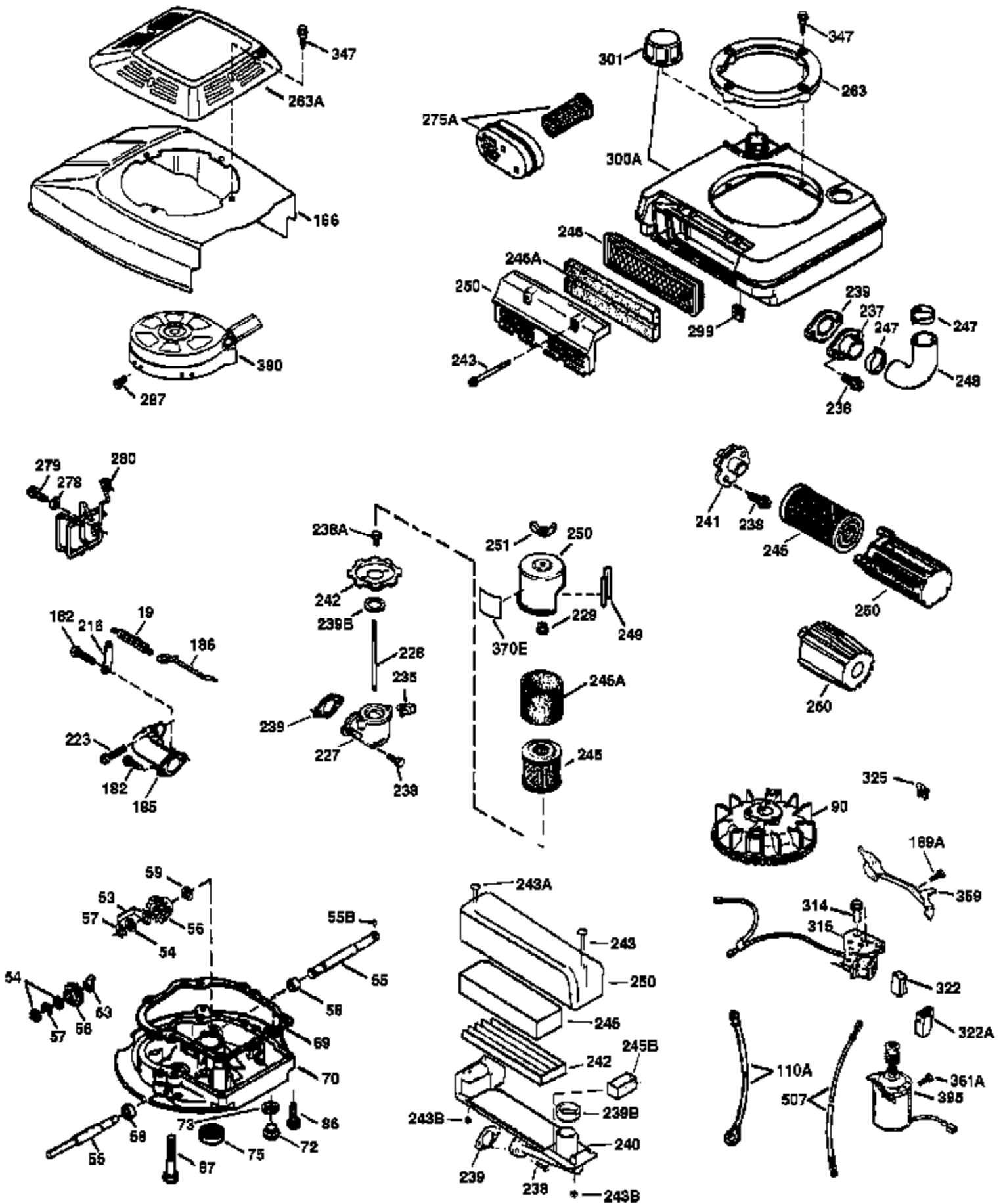


Ref #	Part Number	Qty	Description
	1 36478A	1	Cylinder (Incl. 2,7,20 & 125)
	2 26727	2	Dowel Pin
	6 33734	1	Breather Element
	7 36557	1	Breather Ass'y. (Incl. 6 & 12A)
12A	36558	1	Breather Cover & Tube
	14 28277	1	Washer
	15 31513	1	Governor Rod
	16 32651	1	Governor Lever
	17 31335	1	Governor Lever Clamp
	18 650548	1	Screw, 8-32 x 5/16"
	19 35998	1	Extension Spring
	20 32600	1	Oil Seal
	30 34769A	1	Crankshaft
	40 36073	1	Piston, Pin & Ring Set (Std.)
	40 36074	1	Piston, Pin & Ring Set (.010" OS)
	40 36075	1	Piston, Pin & Ring Set (.020" OS)
	41 36070	1	Piston & Pin Ass'y. (Std.) (Incl. 43)
	41 36071	1	Piston & Pin Ass'y. (.010" OS) (Incl. 43)
	41 36072	1	Piston & Pin Ass'y. (.020" OS) (Incl. 43)
	42 36076	1	Ring Set (Std.)
	42 36077	1	Ring Set (.010" OS)
	42 36078	1	Ring Set (.020" OS)
	43 20381	2	Piston Pin Retaining Ring
	45 30963B	1	Connecting Rod (Incl. 46)
	46 32610A	2	Connecting Rod Bolt
	48 27241	2	Valve Lifter
	50 33533	1	Camshaft (MCR)
	52 29914	1	Oil Pump Ass'y.
	69 35261	1	* Mounting Flange Gasket
	70 33535C	1	Mounting Flange (Incl.58,72 thru 83)
	72 36083	1	Oil Drain Plug
	75 26208	1	Oil Seal
	80 30574A	1	Governor Shaft
	81 30590A	1	Washer
	82 30591	1	Governor Gear Ass'y. (Incl. 81)
	83 30588A	1	Governor Spool
	86 650488	5	Screw, 1/4-20 x 1-1/4"
	89 611004	1	Flywheel Key
	90 611112	1	Flywheel
	92 650815	1	Belleville Washer
	93 650816	1	Flywheel Nut
	100 34443A	1	Solid State Ignition
	101 610118	1	Spark Plug Cover
	103 650814	2	Screw, Torx T-15, 10-24 x 1"
	110 34961	1	Ground Wire
	119 36477	1	* Cylinder Head Gasket
	120 36585	1	Cylinder Head (Incl. 119)
	125 36471	1	Exhaust Valve (Std.) (Incl. 151)
	125 36472	1	Exhaust Valve (1/32" OS) (Incl. 151)
	126 29314B	1	Intake Valve (Std.) (Incl. 151)
	126 29315C	1	Intake Valve (1/32" OS) (Incl. 151)
	130 6021A	8	Screw, 5/16-18 x 1-1/2"
	135 35395	1	Spark Plug (RJ19LM)
	150 35991	2	Valve Spring
	151 31673	2	Valve Spring Cap
	169 27234A	1	* Valve Cover Gasket
	172 32755	1	Valve Cover
	174 30200	2	Screw, 10-24 x 9/16"

Ref #	Part Number	Qty	Description
178	29752	2	Nut & Lock Washer, 1/4-28
182	6201	2	Screw, 1/4-28 x 7/8"
184	26756	1	* Carburetor To Intake Pipe Gasket
185	31384A	1	Intake Pipe (Incl. 224)
186	36255	1	Governor Link
189	650839	2	Screw, 1/4-20 x 3/8"
191	36568	1	S.E. Brake Bracket (Incl. 195)
195	610973	1	Terminal
200	35999	1	Control Bracket
207	36200	1	Throttle Link
209	30200	2	Screw, 10-24 x 9/16"
223	650451	2	Screw, 1/4-20 x 1"
224	34690A	1	* Intake Pipe Gasket
238	650937	2	Screw, 10-32 x 43/64"
239	35848	1	* Air Cleaner Gasket
240	36273	1	Air Cleaner Body
245B	36275	1	Air Cleaner Filter
245	36278	1	Air Cleaner Filter
250	36247	1	Air Cleaner Cover
260	36269	1	Blower Housing
261	30200	2	Screw, 10-24 x 9/16"
262	650831	2	Screw, 1/4-20 x 1/2"
263	36280	1	Trim Ring
275	36456A	1	Muffler (Incl. 277)
277	650988	2	Screw, 1/4-20 x 2-5/16"
284	36663	1	Muffler Deflector (Incl. 284A)(Optional)
284A	650760	1	Screw, 8-32 x 3/8" (Optional)
285	35000A	1	Starter Cup
287	650926	2	Screw, 8-32 x 21/64"
290	34357	1	Fuel Line
292	26460	2	Fuel Line Clamp
298	28763	2	Screw, 10-32 x 35/64"
300	36279	1	Fuel Tank (Incl. 292 & 301)
301	35355	1	Fuel Cap
305	36270	1	Dipstick
306	34265	1	* "O"-Ring
307	36272	1	"O"-Ring
309	650936	1	Screw, 10-32 x 13/32"
310	36271	1	Dipstick
313	34080	1	Spacer
327	35392	1	Starter Plug
370A	36261	1	Lubrication Decal
380	632645	1	Carburetor (Incl. 184)
390	590694	1	Rewind Starter (NOTE: This engine could have been built with 590686 starter. Refer to the design of the air intake louvers for part identification. Individual starter parts do not interchange.)
400	36586	1	* Gasket Set (Incl. items marked PK in notes) Incl. part #'s: 26756 (1), 27234A (1), 34265 (1), 34690A (1), 35261 (1), 35848 (1), 36477 (1).
416	36085	1	Spark Arrestor Kit (Incl. 417)(Optional)
417	650760	1	Screw, 8-32 x 3/8" (Optional)
420	730225	1	SAE 30 4-Cycle Engine Oil (Quart)



Ref #	Part Number	Qty	Description
19	35998	1	Extension Spring
53	31745	1	Tang Washer
54	31747	1	Washer
55	35218A	1	P.T.O. Shaft
56	33401	1	R.H. Hand Worm Gear
57	33537	1	Retainer Ring
58	31744	1	Oil Seal
69	35261	1	* Mounting Flange Gasket
70	33535C	1	Mounting Flange (Incl.58,72 thru 83)
72	36083	1	Oil Drain Plug
75	26208	1	Oil Seal
86	650488	5	Screw, 1/4-20 x 1-1/4"
87	650492	1	Screw, 1/4-20 x 2-1/4"
90	611112	1	Flywheel
182	6201	2	Screw, 1/4-28 x 7/8"
185	31384A	1	Intake Pipe (Incl. 224)
186	36255	1	Governor Link
223	650451	2	Screw, 1/4-20 x 1"
238	650937	2	Screw, 10-32 x 43/64"
239	35848	1	* Air Cleaner Gasket
239B	36277	1	Air Cleaner Seal
240	36273	1	Air Cleaner Body
242	36276	1	Air Cleaner Base
243	650966	1	Screw, M-5 x 0.8-6g x 2-7/16"
243A	650968	1	Screw, M-5 x 0.8-6g x 1-7/16"
243B	650967	2	Square Nut M-5 x 0.8-6h
245B	36275	1	Air Cleaner Filter
245	36278	1	Air Cleaner Filter
250	36247	1	Air Cleaner Cover
263	36280	1	Trim Ring
275A	36664	1	Spark Arrestor Muffler (Optional) (Incl. 277,284,284A,416,417)
287	650926	2	Screw, 8-32 x 21/64"
301	35355	1	Fuel Cap
390	590694	1	Rewind Starter (NOTE: This engine could have been built with 590686 starter. Refer to the design of the air intake louvers for part identification. Individual starter parts do not interchange.)