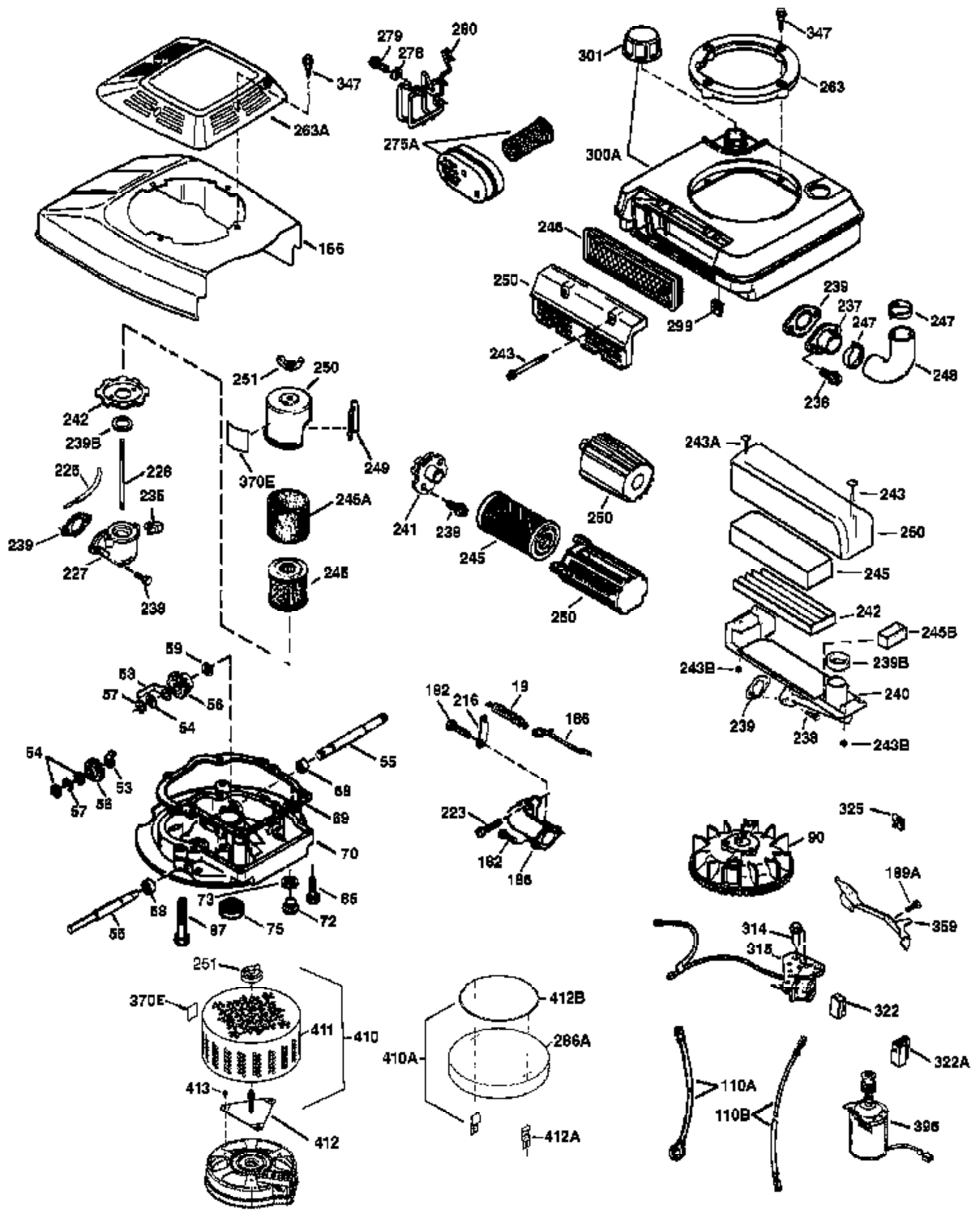




| Ref # | Part Number | Qty | Description                               |
|-------|-------------|-----|---|
|       | 1 36478A    | 1   | Cylinder (Incl. 2,7,20 & 125)             |
|       | 2 26727     | 2   | Dowel Pin                                 |
|       | 6 33734     | 1   | Breather Element                          |
|       | 7 36557     | 1   | Breather Ass'y. (Incl. 6 & 12A)           |
| 12A   | 36558       | 1   | Breather Cover & Tube                     |
|       | 14 28277    | 1   | Washer                                    |
|       | 15 31513    | 1   | Governor Rod                              |
|       | 16 32651    | 1   | Governor Lever                            |
|       | 17 31335    | 1   | Governor Lever Clamp                      |
|       | 18 650548   | 1   | Screw, 8-32 x 5/16"                       |
|       | 19 35998    | 1   | Extension Spring                          |
|       | 20 32600    | 1   | Oil Seal                                  |
|       | 30 34769A   | 1   | Crankshaft                                |
|       | 40 36073    | 1   | Piston, Pin & Ring Set (Std.)             |
|       | 40 36074    | 1   | Piston, Pin & Ring Set (.010" OS)         |
|       | 40 36075    | 1   | Piston, Pin & Ring Set (.020" OS)         |
|       | 41 36070    | 1   | Piston & Pin Ass'y. (Std.) (Incl. 43)     |
|       | 41 36071    | 1   | Piston & Pin Ass'y. (.010" OS) (Incl. 43) |
|       | 41 36072    | 1   | Piston & Pin Ass'y. (.020" OS) (Incl. 43) |
|       | 42 36076    | 1   | Ring Set (Std.)                           |
|       | 42 36077    | 1   | Ring Set (.010" OS)                       |
|       | 42 36078    | 1   | Ring Set (.020" OS)                       |
|       | 43 20381    | 2   | Piston Pin Retaining Ring                 |
|       | 45 30963B   | 1   | Connecting Rod (Incl. 46)                 |
|       | 46 32610A   | 2   | Connecting Rod Bolt                       |
|       | 48 27241    | 2   | Valve Lifter                              |
|       | 50 33533    | 1   | Camshaft (MCR)                            |
|       | 52 29914    | 1   | Oil Pump Ass'y.                           |
|       | 69 35261    | 1   | * Mounting Flange Gasket                  |
|       | 70 33535C   | 1   | Mounting Flange (Incl. 58,72 thru 83)     |
|       | 72 36083    | 1   | Oil Drain Plug                            |
|       | 75 26208    | 1   | Oil Seal                                  |
|       | 80 30574A   | 1   | Governor Shaft                            |
|       | 81 30590A   | 1   | Washer                                    |
|       | 82 30591    | 1   | Governor Gear Ass'y. (Incl. 81)           |
|       | 83 30588A   | 1   | Governor Spool                            |
|       | 86 650488   | 5   | Screw, 1/4-20 x 1-1/4"                    |
|       | 89 611004   | 1   | Flywheel Key                              |
|       | 90 611112   | 1   | Flywheel                                  |
|       | 92 650815   | 1   | Belleville Washer                         |
|       | 93 650816   | 1   | Flywheel Nut                              |
|       | 100 34443A  | 1   | Solid State Ignition                      |
|       | 101 610118  | 1   | Spark Plug Cover                          |
|       | 103 651007  | 2   | Screw, Torx T-15, 10-24 x 15/16"          |
|       | 110 34961   | 1   | Ground Wire                               |
|       | 119 36477   | 1   | * Cylinder Head Gasket                    |
|       | 120 36476   | 1   | Cylinder Head                             |
|       | 125 36472   | 1   | Exhaust Valve (1/32" OS) (Incl. 151)      |
|       | 125 36471   | 1   | Exhaust Valve (Std.) (Incl. 151)          |
|       | 126 29314B  | 1   | Intake Valve (Std.) (Incl. 151)           |
|       | 126 29315C  | 1   | Intake Valve (1/32" OS) (Incl. 151)       |
|       | 130 6021A   | 8   | Screw, 5/16-18 x 1-1/2"                   |
|       | 135 35395   | 1   | Resistor Spark Plug (RJ19LM)              |
|       | 150 35991   | 2   | Valve Spring                              |
|       | 151 31673   | 2   | Valve Spring Cap                          |
|       | 169 27234A  | 1   | * Valve Cover Gasket                      |
|       | 172 32755   | 1   | Valve Cover                               |
|       | 174 30200   | 2   | Screw, 10-24 x 9/16"                      |

| Ref # | Part Number | Qty | Description   |
|-------|-------------|-----|---|
| 178   | 29752       | 2   | Nut & Lock Washer, 1/4-28   |
| 182   | 6201        | 2   | Screw, 1/4-28 x 7/8"  |
| 184   | 26756       | 1   | * Carburetor To Intake Pipe Gasket  |
| 185   | 36544       | 1   | Intake Pipe   |
| 186   | 36255       | 1   | Governor Link   |
| 189   | 650839      | 2   | Screw, 1/4-20 x 3/8"  |
| 191   | 36559       | 1   | S.E. Brake Bracket (Incl. 195)  |
| 195   | 610973      | 1   | Terminal  |
| 200   | 35999       | 1   | Control Bracket   |
| 207   | 36200       | 1   | Throttle Link   |
| 209   | 30200       | 2   | Screw, 10-24 x 9/16"  |
| 223   | 650451      | 2   | Screw, 1/4-20 x 1"  |
| 224   | 34690A      | 1   | * Intake Pipe Gasket  |
| 238   | 650806      | 2   | Screw, 10-32 x 1/2"   |
| 250   | 36744       | 1   | Air Cleaner Cover   |
| 260   | 36756       | 1   | Blower Housing  |
| 261   | 30200       | 2   | Screw, 10-24 x 9/16"  |
| 262   | 650831      | 2   | Screw, 1/4-20 x 1/2"  |
| 275   | 36473       | 1   | Muffler (Incl. 277)   |
| 277   | 650988      | 2   | Screw, 1/4-20 x 2-5/16"   |
| 285   | 35000A      | 1   | Starter Cup   |
| 287   | 650926      | 2   | Screw, 8-32 x 21/64"  |
| 290   | 34357       | 1   | Fuel Line   |
| 292   | 26460       | 2   | Fuel Line Clamp   |
| 298   | 28763       | 3   | Screw, 10-32 x 35/64"   |
| 300   | 36757       | 1   | Fuel Tank (Incl. 292 & 301)   |
| 301   | 36246       | 1   | Fuel Cap (Incl. 292 & 301)  |
| 305   | 35577       | 1   | Oil Fill Tube   |
| 306   | 34265       | 1   | * "O"-Ring  |
| 307   | 35499       | 1   | "O"-Ring  |
| 309   | 650562      | 1   | Screw, 10-32 x 1/2"   |
| 310   | 35578       | 1   | Dipstick  |
| 313   | 34080       | 1   | Spacer  |
| 340   | 36743       | 1   | Air Cleaner Body  |
| 370K  | 36695       | 1   | Starter Decal   |
| 370A  | 36261       | 1   | Lubrication Decal   |
| 380   | 632742      | 1   | Carburetor (Incl. 184)  |
| 390   | 590694      | 1   | Rewind Starter (NOTE: This engine could have been built with 590737 starter. Refer to the design of the rope pulley strength ribs for part identification. Individual starter parts do not interchange. Refer to service bulletin 116). |
| 400   | 36481       | 1   | * Gasket Set (Incl. items marked PK in notes) Incl. part #'s: 26756 (1), 27234A (1), 33735 (1), 34265 (1), 34338 (1), 34690A (1), 35261 (1), 36477 (1)  |
| 416   | 36085       | 1   | Spark Arrestor Kit (Incl. 417)(Optional)  |
| 417   | 650760      | 1   | Screw, 8-32 x 3/8" (Optional)   |
| 420   | 730225      | 1   | SAE 30 4-Cycle Engine Oil (Quart)   |



| Ref # | Part Number | Qty | Description                           |
|-------|-------------|-----|---------------------------------------|
| 19    | 35998       | 1   | Extension Spring                      |
| 53    | 31745       | 1   | Tang Washer                           |
| 54    | 31747       | 1   | Washer                                |
| 55    | 35218A      | 1   | P.T.O. Shaft                          |
| 56    | 33401       | 1   | R.H. Worm Gear                        |
| 57    | 33537       | 1   | Retainer Ring                         |
| 58    | 31744       | 1   | Oil Seal                              |
| 69    | 35261       | 1   | * Mounting Flange Gasket              |
| 70    | 33535C      | 1   | Mounting Flange (Incl. 58,72 thru 83) |
| 72    | 36083       | 1   | Oil Drain Plug                        |
| 75    | 26208       | 1   | Oil Seal                              |
| 86    | 650488      | 5   | Screw, 1/4-20 x 1-1/4"                |
| 87    | 650492      | 1   | Screw, 1/4-20 x 2-1/4"                |
| 90    | 611112      | 1   | Flywheel                              |
| 182   | 6201        | 2   | Screw, 1/4-28 x 7/8"                  |
| 185   | 36544       | 1   | Intake Pipe                           |
| 186   | 36255       | 1   | Governor Link                         |
| 223   | 650451      | 2   | Screw, 1/4-20 x 1"                    |
| 238   | 650806      | 2   | Screw, 10-32 x 1/2"                   |
| 239   | 34338       | 1   | * Air Cleaner Gasket                  |
| 245   | 36745       | 2   | Air Cleaner Filter                    |
| 250   | 36744       | 1   | Air Cleaner Cover                     |
| 263A  | 36758       | 1   | Starter Grill                         |
| 301   | 36246       | 1   | Fuel Cap (Incl. 292 & 301)            |
| 340   | 36743       | 1   | Air Cleaner Body                      |
| 380   | 632742      | 1   | Carburetor (Incl. 184)                |