

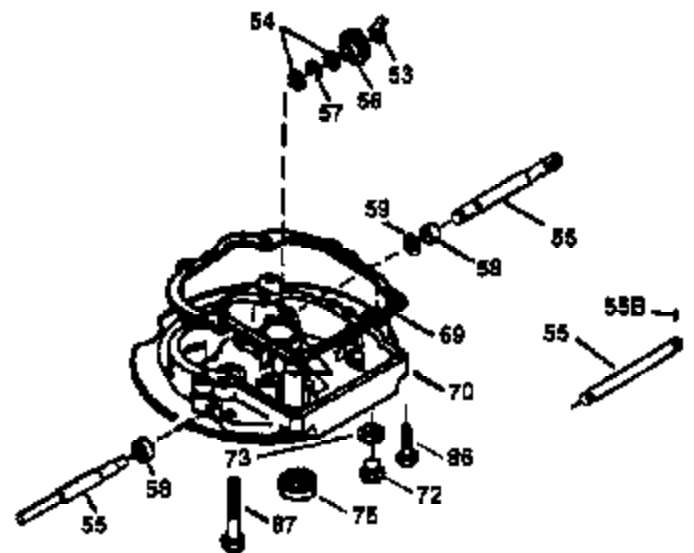
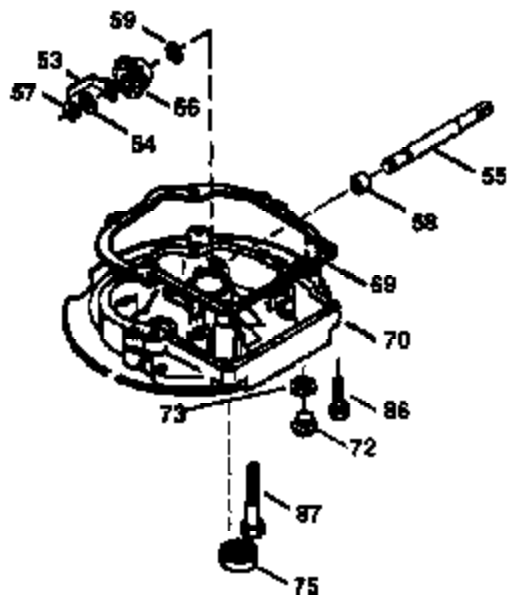
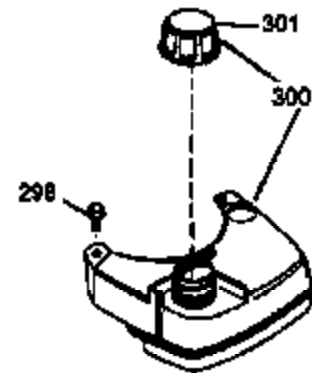
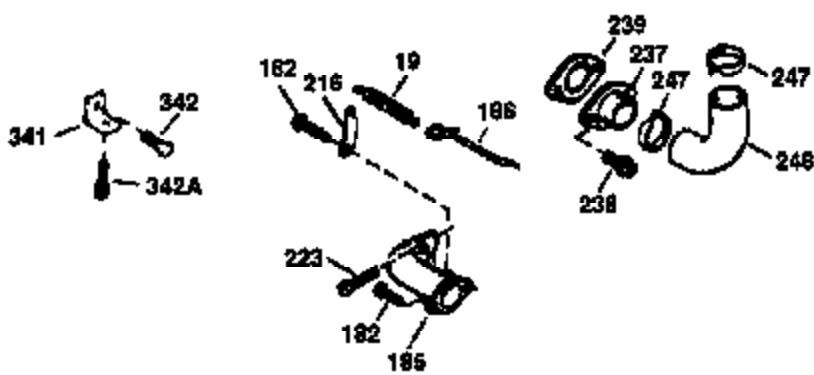
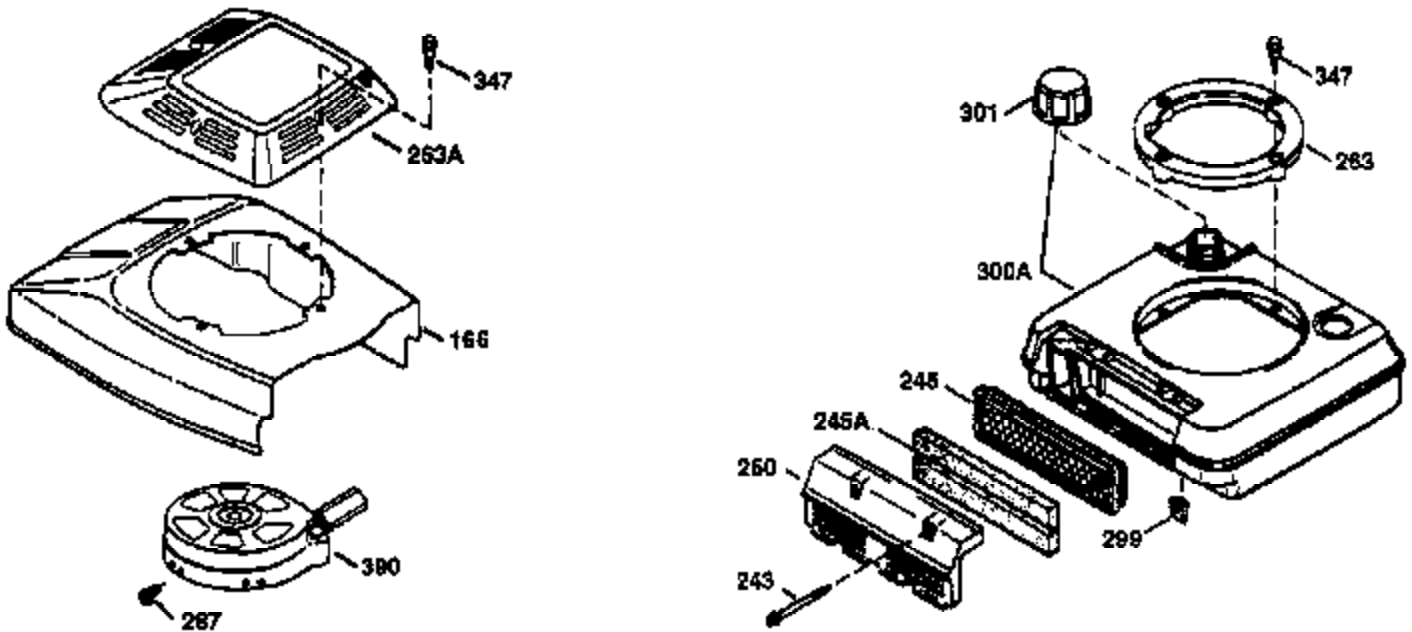


| Ref # | Part Number | Qty | Description                               |
|-------|-------------|-----|---|
|       | 1 36478A    | 1   | Cylinder (Incl. 2,7,20 & 125)             |
|       | 2 26727     | 2   | Dowel Pin                                 |
|       | 6 33734     | 1   | Breather Element                          |
|       | 7 36557     | 1   | Breather Ass'y. (Incl. 6 & 12A)           |
| 12A   | 36558       | 1   | Breather Cover & Tube                     |
|       | 14 28277    | 1   | Washer                                    |
|       | 15 30589    | 1   | Governor Rod (Incl. 14)                   |
|       | 16 34839A   | 1   | Governor Lever                            |
|       | 17 31335    | 1   | Governor Lever Clamp                      |
|       | 18 651018   | 1   | Screw, Torx T-15, 8-32 x 19/64"           |
|       | 19 36281    | 1   | Extension Spring                          |
|       | 20 32600    | 1   | Oil Seal                                  |
|       | 30 36237A   | 1   | Crankshaft                                |
|       | 40 36073    | 1   | Piston, Pin & Ring Set (Std.)             |
|       | 40 36074    | 1   | Piston, Pin & Ring Set (.010" OS)         |
|       | 40 36075    | 1   | Piston, Pin & Ring Set (.020" OS)         |
|       | 41 36070    | 1   | Piston & Pin Ass'y. (Std.) (Incl. 43)     |
|       | 41 36071    | 1   | Piston & Pin Ass'y. (.010" OS) (Incl. 43) |
|       | 41 36072    | 1   | Piston & Pin Ass'y. (.020" OS) (Incl. 43) |
|       | 42 36076    | 1   | Ring Set (Std.)                           |
|       | 42 36077    | 1   | Ring Set (.010" OS)                       |
|       | 42 36078    | 1   | Ring Set (.020" OS)                       |
|       | 43 20381    | 2   | Piston Pin Retaining Ring                 |
|       | 45 30963B   | 1   | Connecting Rod Ass'y. (Incl. 46)          |
|       | 46 32610A   | 2   | Connecting Rod Bolt                       |
|       | 48 27241    | 2   | Valve Lifter                              |
|       | 50 35992    | 1   | Camshaft (MCR)                            |
|       | 52 29914    | 1   | Oil Pump Ass'y.                           |
|       | 69 35261    | 1   | Mounting Flange Gasket                    |
|       | 70 34311D   | 1   | Mounting Flange (Incl. 72 thru 83)        |
|       | 72 36083    | 1   | Oil Drain Plug                            |
|       | 75 27897    | 1   | Oil Seal                                  |
|       | 80 30574A   | 1   | Governor Shaft                            |
|       | 81 30590A   | 1   | Washer                                    |
|       | 82 30591    | 1   | Governor Gear Ass'y. (Incl. 81)           |
|       | 83 30588A   | 1   | Governor Spool                            |
|       | 86 650488   | 6   | Screw, 1/4-20 x 1-1/4"                    |
|       | 89 611004   | 1   | Flywheel Key                              |
|       | 90 611044   | 1   | Flywheel                                  |
|       | 92 650815   | 1   | Belleville Washer                         |
|       | 93 650816   | 1   | Flywheel Nut                              |
|       | 100 34443A  | 1   | Solid State Ignition                      |
|       | 101 610118  | 1   | Spark Plug Cover                          |
|       | 103 651007  | 2   | Screw, Torx T-15, 10-24 x 15/16"          |
| 110B  | 35853       | 1   | D.C. Starter Wire                         |
| 110   | 34961       | 1   | Ground Wire                               |
| 110C  | 34970       | 1   | Ground Wire                               |
|       | 119 36477   | 1   | * Cylinder Head Gasket                    |
|       | 120 36476   | 1   | Cylinder Head                             |
|       | 125 36471   | 1   | Exhaust Valve (Std.) (Incl. 151)          |
|       | 125 36472   | 1   | Exhaust Valve (1/32" OS) (Incl. 151)      |
|       | 126 29314B  | 1   | Intake Valve (Std.) (Incl. 151)           |
|       | 126 29315C  | 1   | Intake Valve (1/32" OS) (Incl. 151)       |
|       | 130 6021A   | 8   | Screw, 5/16-18 x 1-1/2"                   |
|       | 135 35395   | 1   | Resistor Spark Plug (RJ19LM)              |
|       | 150 35991   | 2   | Valve Spring                              |
|       | 151 31673   | 2   | Valve Spring Cap                          |
|       | 169 27234A  | 1   | * Valve Cover Gasket                      |

| Ref # | Part Number | Qty | Description  |
|-------|-------------|-----|--|
| 172   | 32755       | 1   | Valve Cover  |
| 174   | 30200       | 2   | Screw, 10-24 x 9/16"   |
| 178   | 29752       | 2   | Nut & Lock Washer, 1/4-28  |
| 182   | 6201        | 2   | Screw, 1/4-28 x 7/8"   |
| 184   | 26756       | 1   | * Carburetor To Intake Pipe Gasket   |
| 185   | 31384A      | 1   | Intake Pipe (Incl. 224)  |
| 186   | 34337       | 1   | Governor Link  |
| 189A  | 650844      | 1   | Screw, 1/4-20 x 3/4"   |
| 189   | 650831      | 1   | Screw, 1/4-20 x 1/2"   |
| 191   | 36559       | 1   | S.E. Brake Bracket (Incl. 195)   |
| 195   | 610973      | 1   | Terminal   |
| 196   | 35035       | 1   | Power Restart Switch   |
| 200   | 33131A      | 1   | Control Bracket (Incl. 202 thru 205)   |
| 202   | 36482       | 1   | Compression Spring   |
| 203   | 31342       | 1   | Compression Spring   |
| 204   | 650549      | 1   | Screw, 5-40 x 7/16"  |
| 205   | 650777      | 1   | Screw, 6-32 x 21/32"   |
| 207   | 34336       | 1   | Throttle Link  |
| 209   | 30200       | 2   | Screw, 10-24 x 9/16"   |
| 210   | 27793       | 1   | Conduit Clip   |
| 211   | 28942       | 1   | Screw, 10-32 x 3/8"  |
| 223   | 650451      | 2   | Screw, 1/4-20 x 1"   |
| 224   | 34690A      | 1   | * Intake Pipe Gasket   |
| 238   | 650806      | 2   | Screw, 10-32 x 5/8"  |
| 240   | 34858       |     | Air Cleaner Body   |
| 245   | 34340       | 1   | Air Cleaner Filter   |
| 250   | 34341B      | 1   | Air Cleaner Cover  |
| 260   | 36647       | 1   | Blower Housing   |
| 261   | 30200       | 2   | Screw, 10-24 x 9/16"   |
| 262   | 650831      | 2   | Screw, 1/4-20 x 1/2"   |
| 275   | 35993       | 1   | Muffler  |
| 276   | 35994       | 1   | Locking Plate  |
| 277   | 650957      | 2   | Screw, 1/4-20 x 2-31/32"   |
| 285   | 35000A      | 1   | Starter Cup  |
| 287   | 650926      | 2   | Screw, 8-32 x 21/64"   |
| 290   | 34357       | 1   | Fuel Line  |
| 292   | 26460       | 2   | Fuel Line Clamp  |
| 300   | 35586       | 1   | Fuel Tank (Incl. 292 & 301)  |
| 301   | 35355       | 1   | Fuel Cap   |
| 305   | 35577       | 1   | Oil Fill Tube  |
| 306   | 36832       | 1   | * "O"-Ring   |
| 307   | 35499       | 1   | "O"-Ring   |
| 309   | 650562      | 1   | Screw, 10-32 x 1/2"  |
| 310   | 36801       | 1   | Dipstick   |
| 313   | 34080       | 1   | Spacer   |
| 325   | 35249       | 1   | Spring Clip  |
| 370K  | 36695       | 1   | Starter Decal  |
| 370A  | 36261       | 1   | Lubrication Decal  |
| 380   | 632733      | 1   | Carburetor (Incl. 184)   |
| 390   | 590694      | 1   | Rewind Starter (NOTE: This engine could have been built with 590737 starter).  |
| 400   | 36481       | 1   | * Gasket Set (Incl. items marked PK in notes). Incl. Part #'s 26756 (1), 27234A (1), 33735 (1), 36832 (1), 34338 (1), 34690A (1), 35261 (1), 36477 (1) |
| 420   | 730225      | 1   | SAE 30 4-Cycle Engine Oil (Quart)  |

ILLUSTRATION SHOWS TYPICAL PARTS ONLY. ORDER BY PART NUMBER. PARTS NOT LISTED ARE SUPPLIED BY OEM.

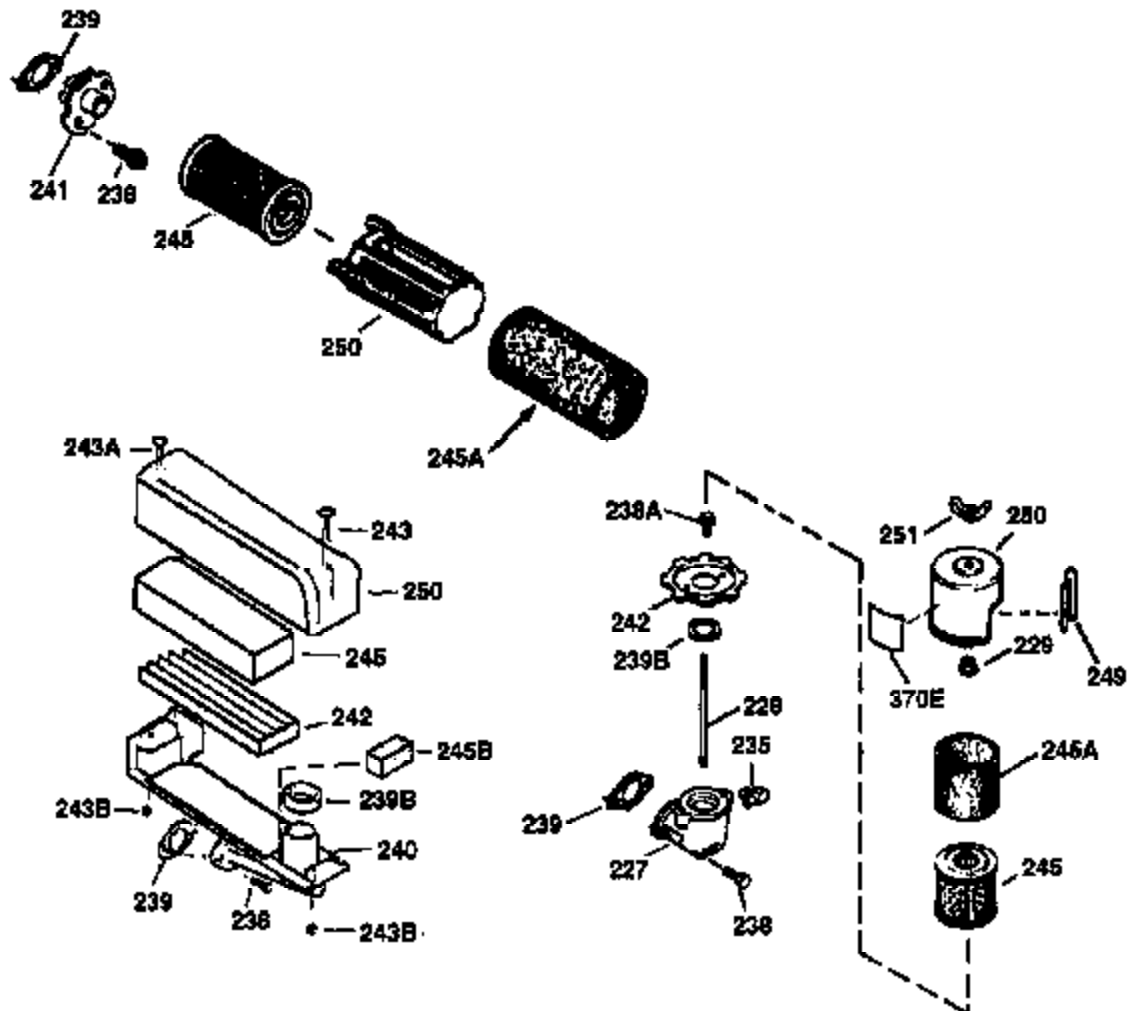
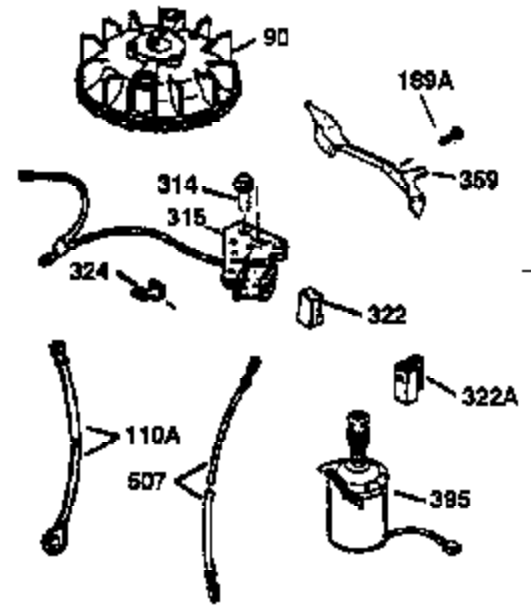
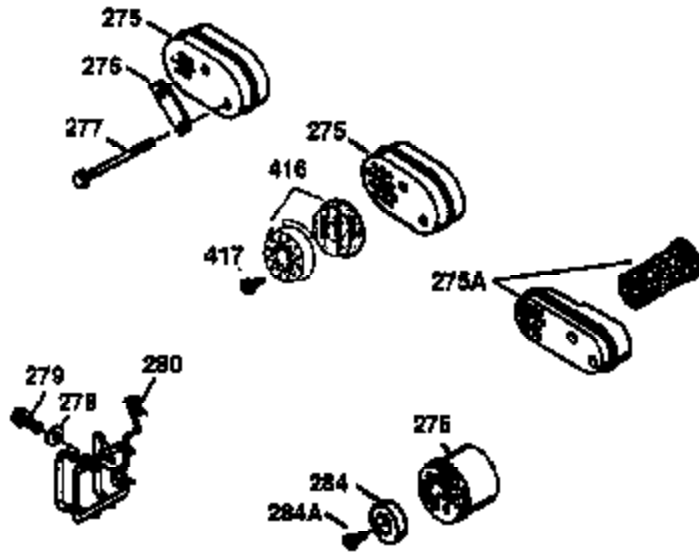
### VIEW 2 OF 3



| Ref # | Part Number | Qty | Description   |
|-------|-------------|-----|---|
| 12A   | 36558       | 1   | Breather Cover & Tube   |
| 19    | 36281       | 1   | Extension Spring  |
| 69    | 35261       | 1   | Mounting Flange Gasket  |
| 70    | 34311D      | 1   | Mounting Flange (Incl. 72 thru 83)  |
| 72    | 36083       | 1   | Oil Drain Plug  |
| 75    | 27897       | 1   | Oil Seal  |
| 86    | 650488      | 6   | Screw, 1/4-20 x 1-1/4"  |
| 110C  | 34970       | 1   | Ground Wire   |
| 182   | 6201        | 2   | Screw, 1/4-28 x 7/8"  |
| 185   | 31384A      | 1   | Intake Pipe (Incl. 224)   |
| 186   | 34337       | 1   | Governor Link   |
| 223   | 650451      | 2   | Screw, 1/4-20 x 1"  |
| 238   | 650806      | 2   | Screw, 10-32 x 5/8"   |
| 239   | 34338       | 1   | * Air Cleaner Gasket  |
| 245   | 34340       | 1   | Air Cleaner Filter  |
| 250   | 34341B      | 1   | Air Cleaner Cover   |
| 287   | 650926      | 2   | Screw, 8-32 x 21/64"  |
| 300   | 35586       | 1   | Fuel Tank (Incl. 292 & 301)   |
| 301   | 35355       | 1   | Fuel Cap  |
| 370K  | 36695       | 1   | Starter Decal   |
| 390   | 590694      | 1   | Rewind Starter (NOTE: This engine could have been built with 590737 starter). |

ILLUSTRATION SHOWS TYPICAL PARTS ONLY. ORDER BY PART NUMBER. PARTS NOT LISTED ARE SUPPLIED BY OEM.

### VIEW 3 OF 3



| Ref # | Part Number | Qty | Description                              |
|-------|-------------|-----|--|
| 12A   | 36558       | 1   | Breather Cover & Tube                    |
| 90    | 611044      | 1   | Flywheel                                 |
| 110C  | 34970       | 1   | Ground Wire                              |
| 189A  | 650844      | 1   | Screw, 1/4-20 x 3/4"                     |
| 238   | 650806      | 2   | Screw, 10-32 x 5/8"                      |
| 239   | 34338       | 1   | * Air Cleaner Gasket                     |
| 240   | 34858       |     | Air Cleaner Body                         |
| 245   | 34340       | 1   | Air Cleaner Filter                       |
| 250   | 34341B      | 1   | Air Cleaner Cover                        |
| 275   | 35993       | 1   | Muffler                                  |
| 276   | 35994       | 1   | Locking Plate                            |
| 277   | 650957      | 2   | Screw, 1/4-20 x 2-31/32"                 |
| 279   | 650956      | 3   | Screw, Torx T-25, 12-24 x 49/64"         |
| 280   | 36510       | 1   | Heat Shield                              |
| 314   | 650767      | 2   | Screw, 8-32 x 27/64"                     |
| 315   | 34990       | 1   | Alternator Coil                          |
| 322A  | 610885      | 1   | Connector Body                           |
| 322   | 35013       | 1   | Connector Body                           |
| 359   | 36646       | 1   | Starter Guard                            |
| 370K  | 36695       | 1   | Starter Decal                            |
| 395   | 35709       | 1   | Electric Starter Motor (12 Volt)         |
| 416   | 36085       | 1   | Spark Arrestor Kit (Incl. 417)(Optional) |
| 417   | 650760      | 1   | Screw, 8-32 x 3/8" (Optional)            |