

ILLUSTRATION SHOWS TYPICAL PARTS ONLY. ORDER BY PART NUMBER. PARTS NOT LISTED ARE SUPPLIED BY OEM.

VIEW 1 OF 3



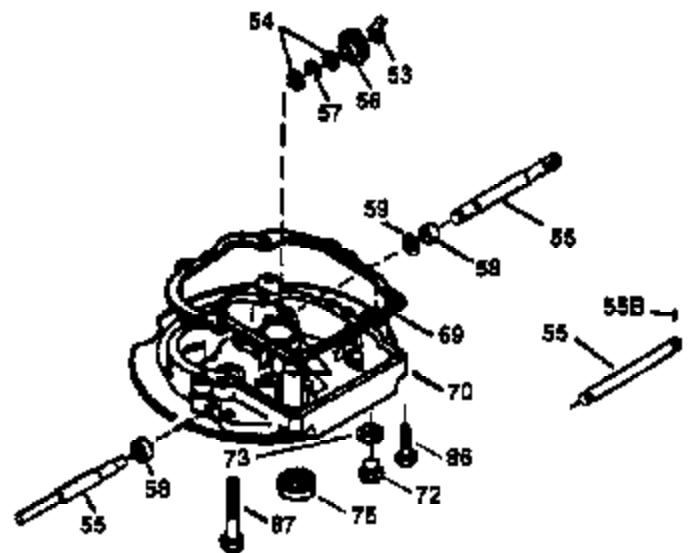
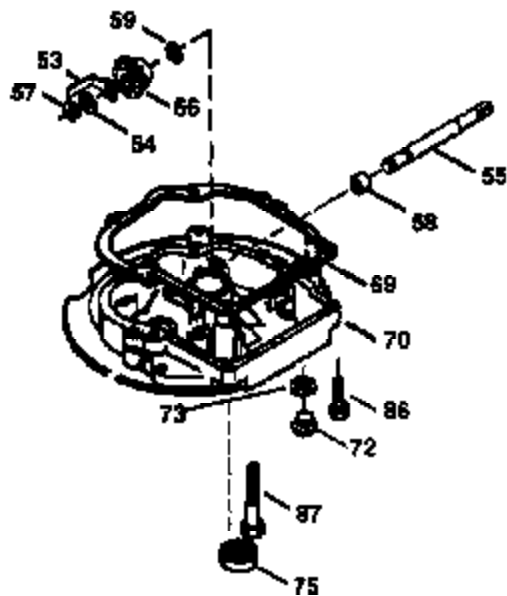
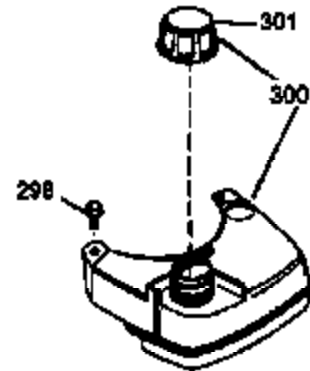
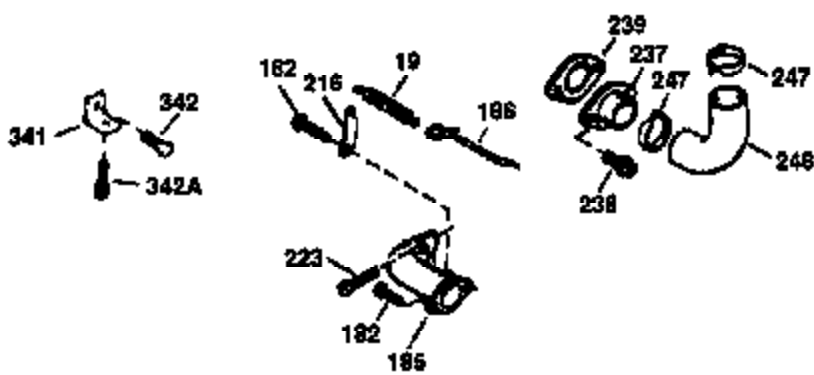
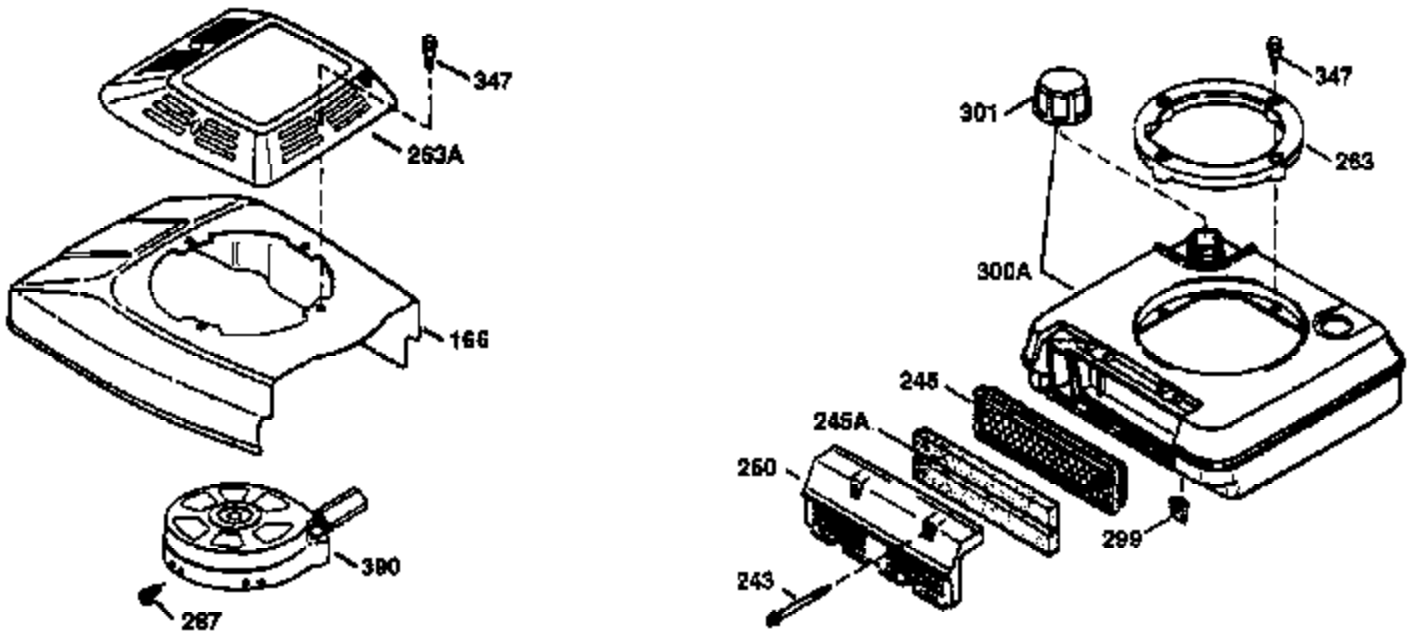
Ref #	Part Number	Qty	Description
	1 36478A	1	Cylinder (Incl. 2,7,20 & 125)
	2 26727	2	Dowel Pin
	6 33734	1	Breather Element
	7 36557	1	Breather Body Ass'y. (Incl. 6 & 12)
	12 36558	1	Breather Cover & Tube (Incl. 12B)
12B	34695	1	Breather Tube Elbow
	14 28277	1	Washer
	15 30589	1	Governor Rod (Incl. 14)
	16 32651	1	Governor Lever
	17 31335	1	Governor Lever Clamp
	18 650548	1	Screw, 8-32 x 5/16"
	19 36281	1	Extension Spring
	20 32600	1	Oil Seal
	30 36231	1	Crankshaft
	40 36073	1	Piston, Pin & Ring Set (Std.)
	40 36074	1	Piston, Pin & Ring Set (.010" OS)
	40 36075	1	Piston, Pin & Ring Set (.020" OS)
	41 36070	1	Piston & Pin Ass'y. (Std.) (Incl. 43)
	41 36071	1	Piston & Pin Ass'y. (.010" OS) (Incl. 43)
	41 36072	1	Piston & Pin Ass'y. (.020" OS) (Incl. 43)
	42 36076	1	Ring Set (Std.)
	42 36077	1	Ring Set (.010" OS)
	42 36078	1	Ring Set (.020" OS)
	43 20381	2	Piston Pin Retaining Ring
	45 30963B	1	Connecting Rod Ass'y. (Incl. 46)
	46 32610A	2	Connecting Rod Bolt
	48 27241	2	Valve Lifter
	50 35992	1	Camshaft (MCR)
	52 29914	1	Oil Pump Ass'y.
	69 35261	1	Mounting Flange Gasket
	70 36249A	1	Mounting Flange (Incl. 72 thru 83)
72A	28534	1	Oil Drain Plug
	72 30572	1	Oil Drain Plug
	73 28833	1	Drain Plug Gasket
	75 27897	1	Oil Seal
	80 30574A	1	Governor Shaft
	81 30590A	1	Washer
	82 30591	1	Governor Gear Ass'y. (Incl. 81)
	83 30588A	1	Governor Spool
	86 650488	6	Screw, 1/4-20 x 1-1/4"
	89 611004	1	Flywheel Key
	90 611112	1	Flywheel
	92 650815	1	Belleville Washer
	93 650816	1	Flywheel Nut
	100 34443A	1	Solid State Ignition
	101 610118	1	Spark Plug Cover
	103 650814	2	Screw, Torx T-15, 10-24 x 1"
	110 34961	1	Ground Wire
110B	36230	1	Ground Wire
	119 36477	1	* Cylinder Head Gasket
	120 36585	1	Cylinder Head (Incl. 119)
	125 36471	1	Exhaust Valve (Std.) (Incl. 151)
	125 36472	1	Exhaust Valve (1/32" OS) (Incl. 151)
	126 29314B	1	Intake Valve (Std.) (Incl. 151)
	126 29315C	1	Intake Valve (1/32" OS) (Incl. 151)
	127 650691	2	Washer
	129 650818	2	Screw, 5/16-18 x 1-1/2"
	130 6021A	6	Screw, 5/16-18 x 1-1/2"

Ref #	Part Number	Qty	Description
135	35395	1	Spark Plug (RJ19LM)
150	35991	2	Valve Spring
151	31673	2	Valve Spring Cap
169	27234A	1	* Valve Cover Gasket
172	32755	1	Valve Cover
174	30200	2	Screw, 10-24 x 9/16"
178	29752	2	Nut & Lock Washer, 1/4-28
179	30593	1	Retainer Clip
182	6201	2	Screw, 1/4-28 x 7/8"
184	26756	1	* Carburetor To Intake Pipe Gasket
185	36544	1	Intake Pipe (Incl. 224)
186	34337	1	Governor Link
189	650839	2	Screw, 1/4-20 x 3/8"
191	36559	1	S.E. Brake Bracket (Incl. 195)
195	610973	1	Terminal
200	35727	1	Control Bracket (Incl. 202 thru 206)
202	36482	1	Compression Spring
203	31342	1	Compression Spring
204	650549	1	Screw, 5-40 x 7/16"
205	650777	1	Screw, 6-32 x 21/32"
206	610973	1	Terminal
207	34336	1	Throttle Link
209	30200	2	Screw, 10-24 x 9/16"
215	32410	1	Control Knob
223	650451	2	Screw, 1/4-20 x 1"
224	34690A	1	* Intake Pipe Gasket
238	650932	2	Screw, 10-32 x 49/64"
245	35066	1	Air Cleaner Filter
250	35986	1	Air Cleaner Cover
260	36545	1	Blower Housing
261	650831	2	Screw, 1/4-20 x 1/2"
261A	30063	1	Screw, 1/4-20 x 1/2"
262	650831	2	Screw, 1/4-20 x 1/2"
263	36280	1	Trim Ring
275	36553	1	Muffler
276	35994	1	Locking Plate
277	650957	2	Screw, 1/4-20 x 2-31/32"
285	35000A	1	Starter Cup
287	650926	2	Screw, 8-32 x 21/64"
290	29774	1	Fuel Line
292	26460	2	Fuel Line Clamp
300	36279	1	Fuel Tank (Incl. 292 & 301)
301	35355	1	Fuel Cap
305	36270	1	Oil Fill Tube
306	34265	1	* "O"-Ring
307	36272	1	"O"-Ring
309	650936	1	Screw, 10-32 x 13/32"
310	36271	1	Dipstick
313	34080	1	Spacer
327	35392	1	Starter Plug
370B	36507	1	Control Decal
370A	36261	1	Lubrication Decal
380	632646	1	Carburetor (Incl. 184)
390	590732	1	Rewind Starter (NOTE: This engine could have been built with 590688 starter. Refer to the design of the air intake louvers for part identification. Individual starter parts do not interchange.)

Ref #	Part Number	Qty	Description
400	36586	1	* Gasket Set (Incl. items marked PK i n notes). Incl. Part #s 26756 (1), 27234A (1), 33735 (1), 34265 (1), 34338 (1), 34690A (1), 35261 (1), 36477 (1)
420	730225	1	SAE 30 4-Cycle Engine Oil (Quart)

ILLUSTRATION SHOWS TYPICAL PARTS ONLY. ORDER BY PART NUMBER. PARTS NOT LISTED ARE SUPPLIED BY OEM.

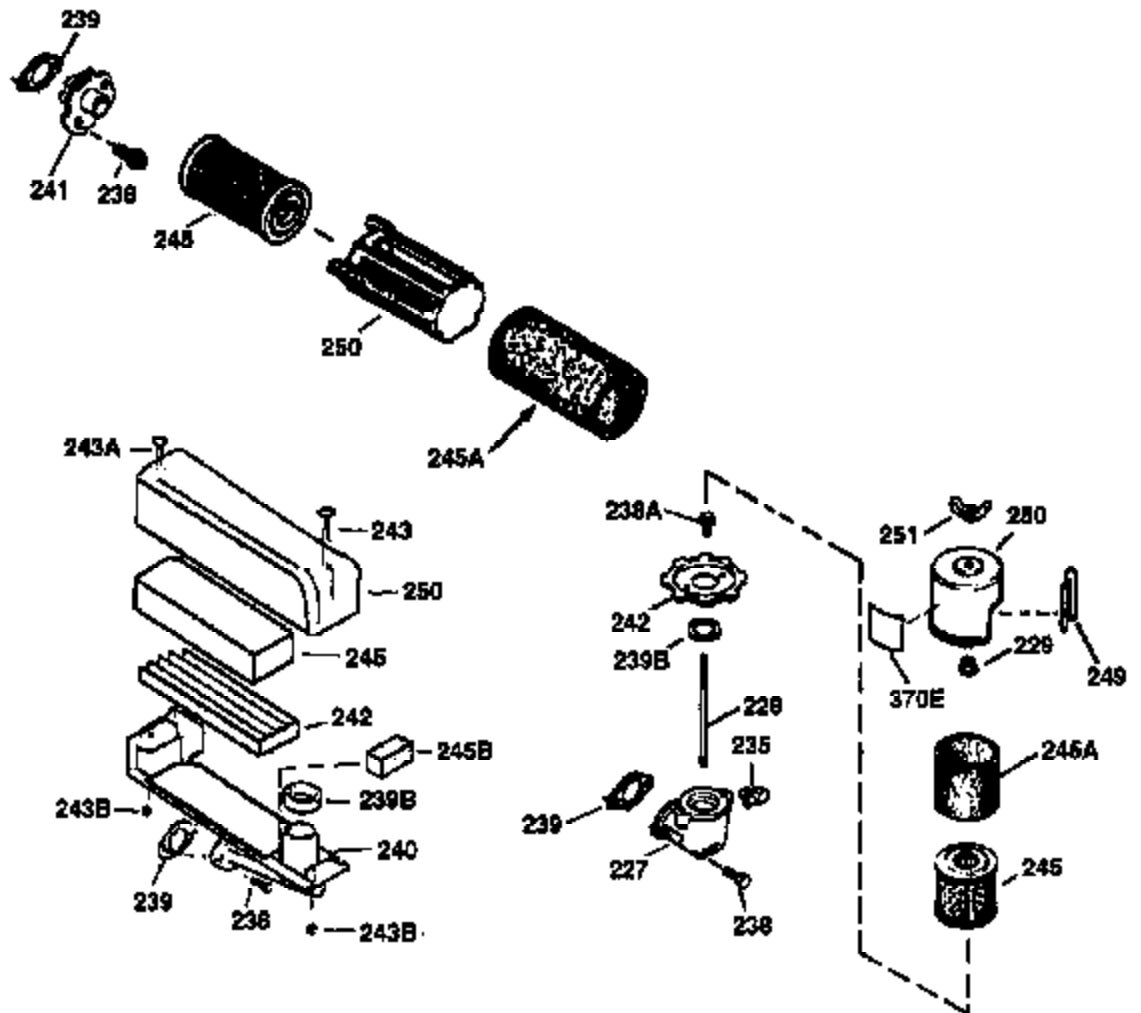
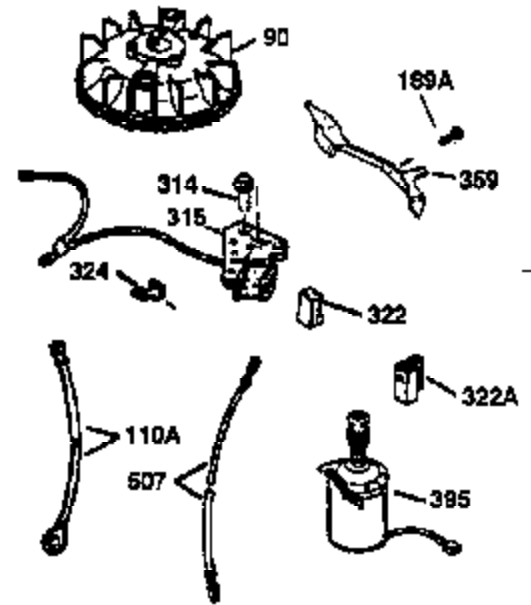
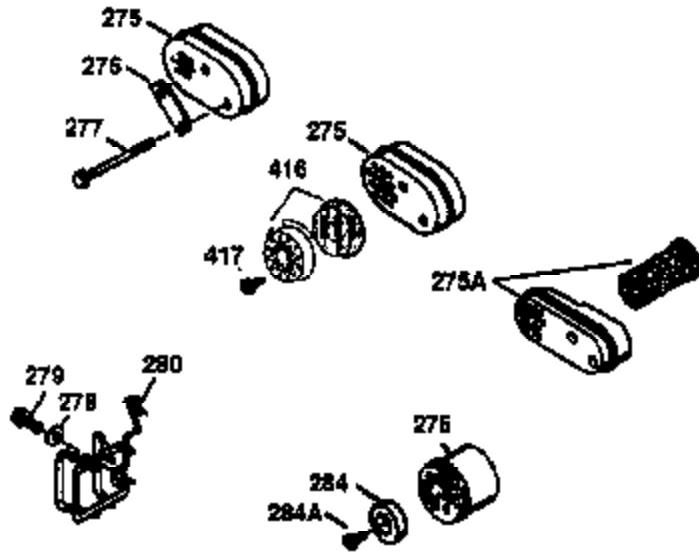
VIEW 2 OF 3



Ref #	Part Number	Qty	Description
19	36281	1	Extension Spring
69	35261	1	Mounting Flange Gasket
70	36249A	1	Mounting Flange (Incl. 72 thru 83)
72	30572	1	Oil Drain Plug
73	28833	1	Drain Plug Gasket
75	27897	1	Oil Seal
86	650488	6	Screw, 1/4-20 x 1-1/4"
182	6201	2	Screw, 1/4-28 x 7/8"
185	36544	1	Intake Pipe (Incl. 224)
186	34337	1	Governor Link
223	650451	2	Screw, 1/4-20 x 1"
238	650932	2	Screw, 10-32 x 49/64"
239	34338	1	* Air Cleaner Gasket
245	35066	1	Air Cleaner Filter
250	35986	1	Air Cleaner Cover
263	36280	1	Trim Ring
287	650926	2	Screw, 8-32 x 21/64"
298	28763	2	Screw, 10-32 x 35/64"
300	36279	1	Fuel Tank (Incl. 292 & 301)
301	35355	1	Fuel Cap
390	590732	1	Rewind Starter (NOTE: This engine could have been built with 590688 starter. Refer to the design of the air intake louvers for part identification. Individual starter parts do not interchange.)

ILLUSTRATION SHOWS TYPICAL PARTS ONLY. ORDER BY PART NUMBER. PARTS NOT LISTED ARE SUPPLIED BY OEM.

VIEW 3 OF 3



Ref #	Part Number	Qty	Description
90	611112	1	Flywheel
238	650932	2	Screw, 10-32 x 49/64"
239	34338	1	* Air Cleaner Gasket
241	35797	1	Air Cleaner Collar
245	35066	1	Air Cleaner Filter
250	35986	1	Air Cleaner Cover
275	36553	1	Muffler
276	35994	1	Locking Plate
277	650957	2	Screw, 1/4-20 x 2-31/32"
278	8345	1	Washer
279	650956	3	Screw, Torx T-25, 12-24 x 49/64"
280	36554	1	Heat Shield
324	33177	1	Terminal