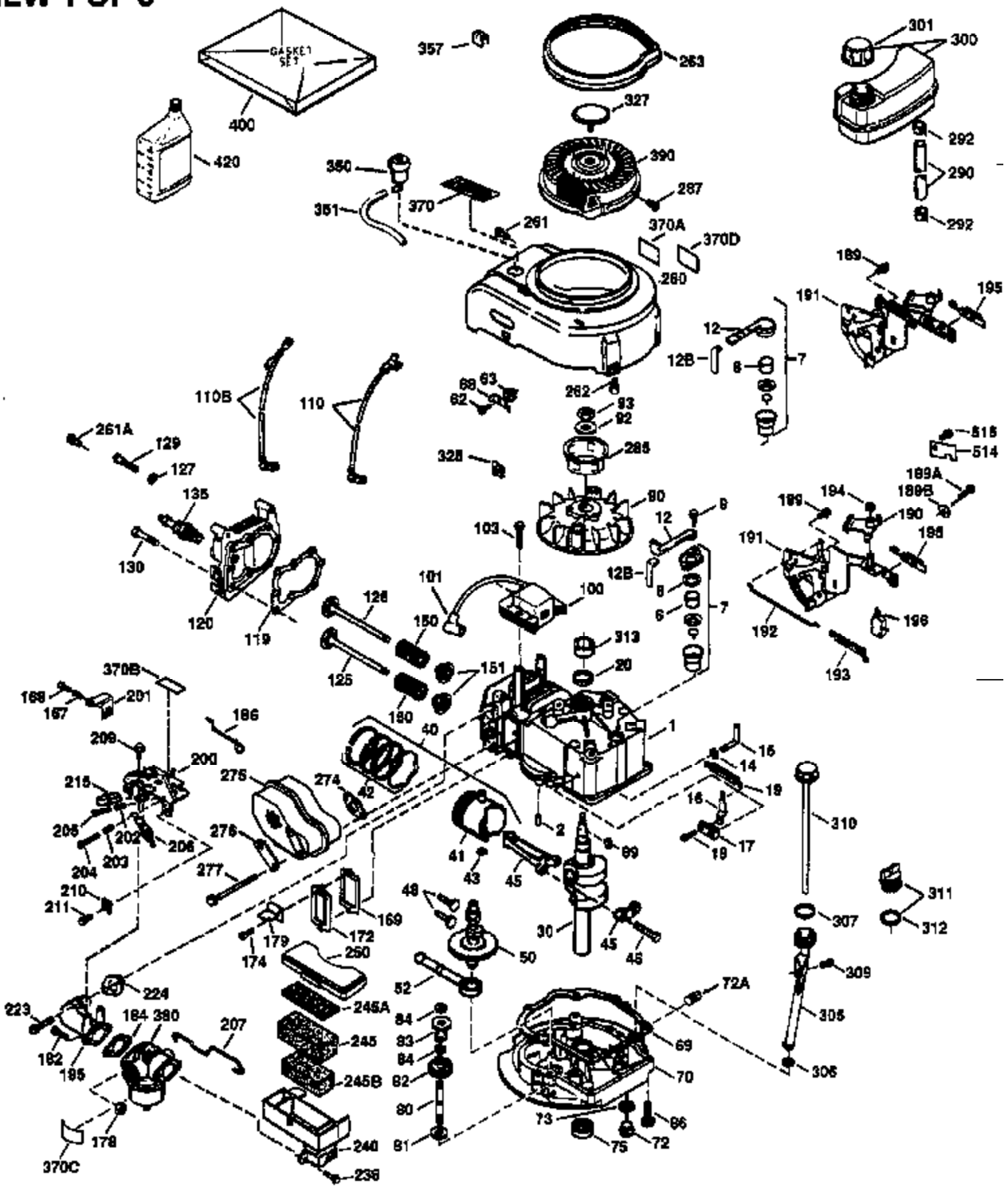


ILLUSTRATION SHOWS TYPICAL PARTS ONLY. ORDER BY PART NUMBER. PARTS NOT LISTED ARE SUPPLIED BY OEM.

### VIEW 1 OF 3

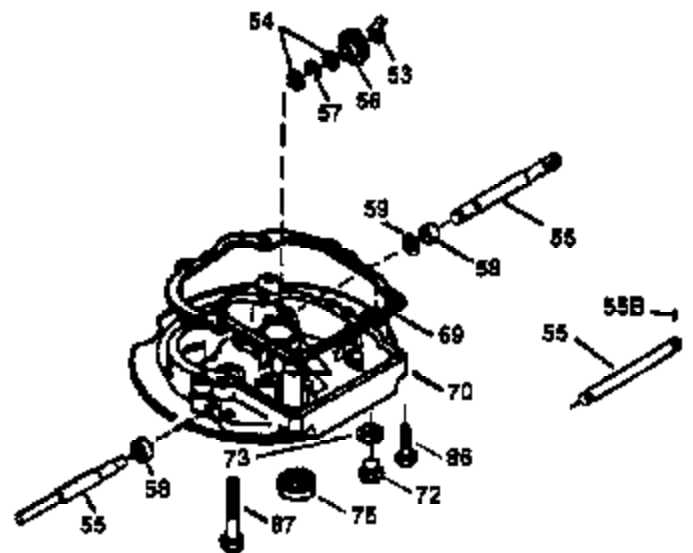


| Ref # | Part Number | Qty | Description                               |
|-------|-------------|-----|---|
| 1     | 36478A      | 1   | Cylinder (Incl. 2,7,20 & 125)             |
| 2     | 26727       | 2   | Dowel Pin                                 |
| 6     | 33734       | 1   | Breather Element                          |
| 7     | 36557       | 1   | Breather Body Ass'y. (Incl. 6 & 12)       |
| 12    | 36558       | 1   | Breather Cover & Tube (Incl. 12B)         |
| 12B   | 34695       | 1   | Breather Tube Elbow                       |
| 14    | 28277       | 1   | Washer                                    |
| 15    | 30589       | 1   | Governor Rod (Incl. 14)                   |
| 16    | 31383A      | 1   | Governor Lever                            |
| 17    | 31335       | 1   | Governor Lever Clamp                      |
| 18    | 650548      | 1   | Screw, 8-32 x 5/16"                       |
| 19    | 36281       | 1   | Extension Spring                          |
| 20    | 32600       | 1   | Oil Seal                                  |
| 30    | 35996       | 1   | Crankshaft                                |
| 40    | 36073       | 1   | Piston, Pin & Ring Set (Std.)             |
| 40    | 36074       | 1   | Piston, Pin & Ring Set (.010" OS)         |
| 40    | 36075       | 1   | Piston, Pin & Ring Set (.020" OS)         |
| 41    | 36070       | 1   | Piston & Pin Ass'y. (Std.) (Incl. 43)     |
| 41    | 36071       | 1   | Piston & Pin Ass'y. (.010" OS) (Incl. 43) |
| 41    | 36072       | 1   | Piston & Pin Ass'y. (.020" OS) (Incl. 43) |
| 42    | 36076       | 1   | Ring Set (Std.)                           |
| 42    | 36077       | 1   | Ring Set (.010" OS)                       |
| 42    | 36078       | 1   | Ring Set (.020" OS)                       |
| 43    | 20381       | 2   | Piston Pin Retaining Ring                 |
| 45    | 30963B      | 1   | Connecting Rod Ass'y. (Incl. 46)          |
| 46    | 32610A      | 2   | Connecting Rod Bolt                       |
| 48    | 27241       | 2   | Valve Lifter                              |
| 50    | 35992       | 1   | Camshaft (MCR)                            |
| 52    | 29914       | 1   | Oil Pump Ass'y.                           |
| 69    | 35261       | 1   | Mounting Flange Gasket                    |
| 70    | 34311D      | 1   | Mounting Flange (Incl. 72 thru 83)        |
| 72    | 30572       | 1   | Oil Drain Plug                            |
| 73    | 28833       | 1   | Drain Plug Gasket                         |
| 75    | 27897       | 1   | Oil Seal                                  |
| 80    | 30574A      | 1   | Governor Shaft                            |
| 81    | 30590A      | 1   | Washer                                    |
| 82    | 30591       | 1   | Governor Gear Ass'y. (Incl. 81)           |
| 83    | 30588A      | 1   | Governor Spool                            |
| 86    | 650488      | 6   | Screw, 1/4-20 x 1-1/4"                    |
| 89    | 611004      | 1   | Flywheel Key                              |
| 90    | 611112      | 1   | Flywheel                                  |
| 92    | 650815      | 1   | Belleville Washer                         |
| 93    | 650816      | 1   | Flywheel Nut                              |
| 100   | 34443A      | 1   | Solid State Ignition                      |
| 101   | 610118      | 1   | Spark Plug Cover                          |
| 103   | 650814      | 2   | Screw, Torx T-15, 10-24 x 1"              |
| 110   | 34961       | 1   | Ground Wire                               |
| 119   | 36477       | 1   | * Cylinder Head Gasket                    |
| 120   | 36476       | 1   | Cylinder Head                             |
| 125   | 36471       | 1   | Exhaust Valve (Std.) (Incl. 151)          |
| 125   | 36472       | 1   | Exhaust Valve (1/32" OS) (Incl. 151)      |
| 126   | 29314B      | 1   | Intake Valve (Std.) (Incl. 151)           |
| 126   | 29315C      | 1   | Intake Valve (1/32" OS) (Incl. 151)       |
| 130   | 6021A       | 8   | Screw, 5/16-18 x 1-1/2"                   |
| 135   | 35395       | 1   | Resistor Spark Plug (RJ19LM)              |
| 150   | 35991       | 2   | Valve Spring                              |
| 151   | 31673       | 2   | Valve Spring Cap                          |
| 169   | 27234A      | 1   | * Valve Cover Gasket                      |

| Ref # | Part Number | Qty | Description   |
|-------|-------------|-----|---|
| 172   | 32755       | 1   | Valve Cover   |
| 174   | 30200       | 2   | Screw, 10-24 x 9/16"  |
| 178   | 29752       | 2   | Nut & Lock Washer, 1/4-28   |
| 182   | 6201        | 2   | Screw, 1/4-28 x 7/8"  |
| 184   | 26756       | 1   | * Carburetor To Intake Pipe Gasket  |
| 185   | 31384A      | 1   | Intake Pipe (Incl. 224)   |
| 186   | 34337       | 1   | Governor Link   |
| 189   | 650839      | 2   | Screw, 1/4-20 x 3/8"  |
| 191   | 36559       | 1   | S.E. Brake Bracket (Incl. 195)  |
| 195   | 610973      | 1   | Terminal  |
| 200   | 35727       | 1   | Control Bracket (Incl. 202 thru 205)  |
| 202   | 36482       | 1   | Compression Spring  |
| 203   | 31342       | 1   | Compression Spring  |
| 204   | 650549      | 1   | Screw, 5-40 x 7/16"   |
| 205   | 650777      | 1   | Screw, 6-32 x 21/32"  |
| 207   | 34336       | 1   | Throttle Link   |
| 209   | 30200       | 2   | Screw, 10-24 x 9/16"  |
| 215   | 35511       | 1   | Control Knob  |
| 223   | 650451      | 2   | Screw, 1/4-20 x 1"  |
| 224   | 34690A      | 1   | * Intake Pipe Gasket  |
| 238   | 650932      | 2   | Screw, 10-32 x 49/64"   |
| 245   | 35066       | 1   | Air Cleaner Filter  |
| 250   | 35065       | 1   | Air Cleaner Cover   |
| 260   | 35826       | 1   | Blower Housing  |
| 261   | 30200       | 2   | Screw, 10-24 x 9/16"  |
| 262   | 650831      | 2   | Screw, 1/4-20 x 1/2"  |
| 275   | 36456A      | 1   | Muffler (Incl. 277)   |
| 277   | 650988      | 2   | Screw, 1/4-20 x 2-5/16"   |
| 285   | 35000A      | 1   | Starter Cup   |
| 287   | 650926      | 2   | Screw, 8-32 x 21/64"  |
| 290   | 34357       | 1   | Fuel Line   |
| 292   | 26460       | 2   | Fuel Line Clamp   |
| 300   | 35586       | 1   | Fuel Tank (Incl. 292 & 301)   |
| 301   | 35355       | 1   | Fuel Cap  |
| 305   | 35819A      | 1   | Oil Fill Tube   |
| 306   | 34265       | 1   | * "O"-Ring  |
| 307   | 35499       | 1   | "O"-Ring  |
| 309   | 651014      | 1   | Screw, 10-32 x 7/16"  |
| 310   | 35822       | 1   | Dipstick  |
| 313   | 34080       | 1   | Spacer  |
| 370   | 35167       | 1   | Control Decal   |
| 370A  | 36261       | 1   | Lubrication Decal   |
| 380   | 632670      | 1   | Carburetor (Incl. 184)  |
| 390   | 590702      | 1   | Rewind Starter (NOTE: This engine could have been built with 590637 starter. Refer to the design of the air intake louvers for part identification. Individual starter parts do not interchange.) |
| 400   | 36481       | 1   | * Gasket Set (Incl. items marked PK i n notes). Incl. Part #'s 26756 (1), 27234A (1), 33735 (1), 34265 (1), 34338 (1), 34690A (1), 35261 (1), 36477 (1)   |

ILLUSTRATION SHOWS TYPICAL PARTS ONLY. ORDER BY PART NUMBER. PARTS NOT LISTED ARE SUPPLIED BY OEM.

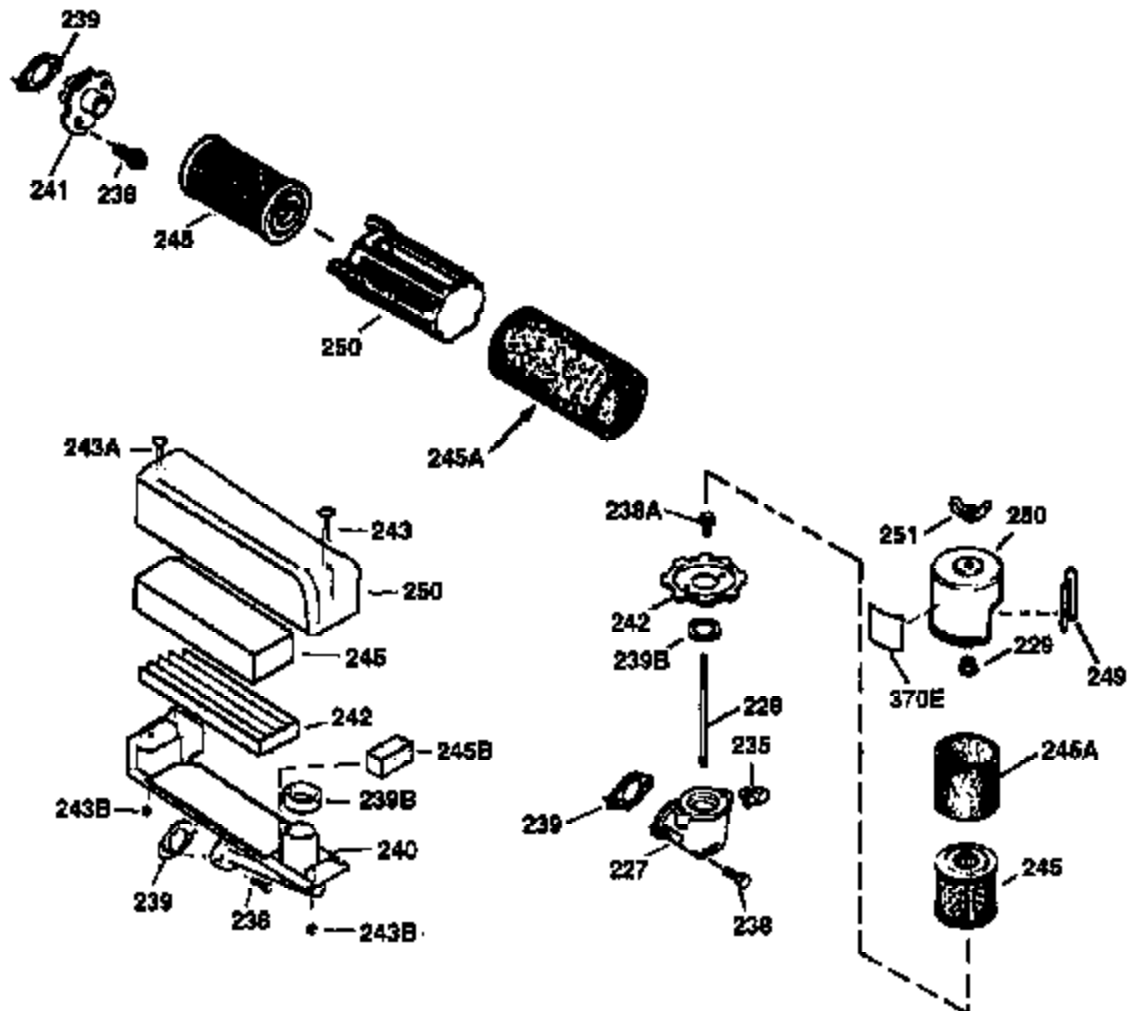
### VIEW 2 OF 3



| Ref # | Part Number | Qty | Description   |
|-------|-------------|-----|---|
| 19    | 36281       | 1   | Extension Spring  |
| 69    | 35261       | 1   | Mounting Flange Gasket  |
| 70    | 34311D      | 1   | Mounting Flange (Incl. 72 thru 83)  |
| 72    | 30572       | 1   | Oil Drain Plug  |
| 73    | 28833       | 1   | Drain Plug Gasket   |
| 75    | 27897       | 1   | Oil Seal  |
| 86    | 650488      | 6   | Screw, 1/4-20 x 1-1/4"  |
| 166   | 35827       | 1   | Engine Shroud   |
| 182   | 6201        | 2   | Screw, 1/4-28 x 7/8"  |
| 185   | 31384A      | 1   | Intake Pipe (Incl. 224)   |
| 186   | 34337       | 1   | Governor Link   |
| 223   | 650451      | 2   | Screw, 1/4-20 x 1"  |
| 238   | 650932      | 2   | Screw, 10-32 x 49/64"   |
| 239   | 34338       | 1   | * Air Cleaner Gasket  |
| 245   | 35066       | 1   | Air Cleaner Filter  |
| 250   | 35065       | 1   | Air Cleaner Cover   |
| 263A  | 35821       | 1   | Starter Grill   |
| 287   | 650926      | 2   | Screw, 8-32 x 21/64"  |
| 300   | 35586       | 1   | Fuel Tank (Incl. 292 & 301)   |
| 301   | 35355       | 1   | Fuel Cap  |
| 347   | 650898      | 4   | Screw, 10-32 x 27/32"   |
| 390   | 590702      | 1   | Rewind Starter (NOTE: This engine could have been built with 590637 starter. Refer to the design of the air intake louvers for part identification. Individual starter parts do not interchange.) |

ILLUSTRATION SHOWS TYPICAL PARTS ONLY. ORDER BY PART NUMBER. PARTS NOT LISTED ARE SUPPLIED BY OEM.

### VIEW 3 OF 3



| Ref # | Part Number | Qty | Description             |
|-------|-------------|-----|-------------------------|
| 90    | 611112      | 1   | Flywheel                |
| 238   | 650932      | 2   | Screw, 10-32 x 49/64"   |
| 239   | 34338       | 1   | * Air Cleaner Gasket    |
| 241   | 35797       | 1   | Air Cleaner Collar      |
| 245   | 35066       | 1   | Air Cleaner Filter      |
| 250   | 35065       | 1   | Air Cleaner Cover       |
| 275   | 36456A      | 1   | Muffler (Incl. 277)     |
| 277   | 650988      | 2   | Screw, 1/4-20 x 2-5/16" |