

### VIEW 1 OF 3

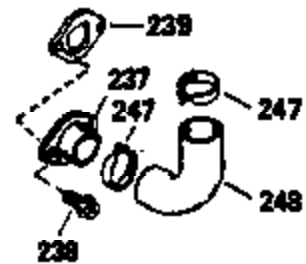
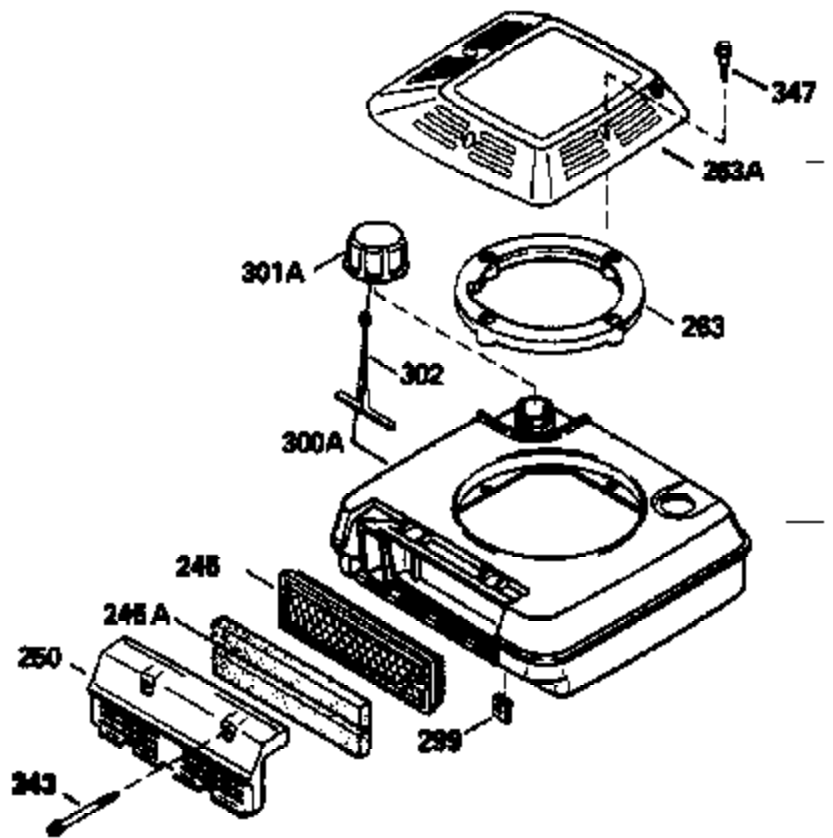


| Ref # | Part Number | Qty | Description  |
|-------|-------------|-----|--|
| 1     | 33899A      |     | Cylinder (Incl. 2 & 20) (2-13/16")   |
| 2     | 26727       |     | Pin, Dowel   |
| 6     | 33734       |     | Element, Breather  |
| 7     | 34214A      |     | Breather Ass'y. (Incl. 6, 8, 9, 12 , & 12A)  |
| 8     | 33735       |     | * Gasket, Breather   |
| 9     | 30200       |     | Screw, 10-24 x 9/16"   |
| 12    | 33886       |     | Tube, Breather   |
| 14    | 28277       |     | Washer, Flat   |
| 15    | 30589       |     | Rod, Governor (Incl. 14)   |
| 16    | 31383A      |     | Lever, Governor  |
| 17    | 31335       |     | Clamp, Governor lever  |
| 18    | 650548      |     | Screw, 8-32 x 5/16"  |
| 19    | 31361       |     | Spring, Extension  |
| 20    | 32600       |     | Seal, Oil  |
| 30    | 35084A      |     | Crankshaft   |
| 32    | 32323       |     | Washer, Thrust NOTE: This thrust washer maynot be required if a new crankshafthas been installed. Check the proper Mechanic's Handbook for acceptable end play. Use this .010" thrust washer if excess end play is measured. |
| 40    | 34535       |     | Piston, Pin & Ring Set (Std.) (2-13/1 6")  |
| 40    | 34536       |     | Piston, Pin & Ring Set (.010" OS)  |
| 40    | 34537       |     | Piston, Pin & Ring Set (.020" OS)  |
| 41    | 33562B      |     | Piston & Pin Ass'y.(Incl. 43)(Std.)(2 -13/16")   |
| 41    | 33563B      |     | Piston & Pin Ass'y. (Incl. 43) (.010" OS)  |
| 41    | 33564B      |     | Piston & Pin Ass'y. (Incl. 43) (.020" OS)  |
| 42    | 33567       |     | Ring Set (Std.) (2-13/16" Bore)  |
| 42    | 33568       |     | Ring Set (.010" OS)  |
| 42    | 33569       |     | Ring Set (.020" OS)  |
| 43    | 20381       |     | Ring, Piston pin retaining   |
| 45    | 32875       |     | Rod Assy., Connecting (Incl. 46)   |
| 46    | 32610A      |     | Bolt, Connecting rod   |
| 48    | 27241       |     | Lifter, Valve  |
| 50    | 33553       |     | Camshaft (MCR)   |
| 52    | 29914       |     | Oil Pump Assy.   |
| 69    | 35261       |     | * Gasket, Mounting flange  |
| 70    | 34311C      |     | Flange Ass'y. (Incl. 72, 72A, 73, 75 & 80)   |
| 72    | 30572       |     | Plug, Oil drain (Incl. 73)   |
| 73    | 28833       |     | * Drain Plug Gasket (Not req. W/plastic plug)  |
| 75    | 27897       |     | Seal, Oil  |
| 80    | 30574       |     | Shaft, Governor  |
| 81    | 30590A      |     | Washer, Flat   |
| 82    | 30591       |     | Gear Assy., Governor (Incl. 81)  |
| 83    | 30588A      |     | Spool, Governor  |
| 84    | 29193       |     | Ring, Retaining  |
| 86    | 650488      |     | Screw, 1/4-20 x 1-1/4"   |
| 89    | 611004      |     | Flywheel Key   |
| 90    | 611046A     |     | Flywheel   |
| 92    | 650815      |     | Washer, Belleville   |
| 93    | 650816      |     | Nut, Flywheel  |
| 100   | 34443A      |     | Solid State Ignition   |
| 100   | 730207      |     | Magneto-to-Solid State Conv. Kit (Includes solid state module, solid state flywheel key, and instructions.) (Use as required on external ignition engines only.)   |
| 101   | 610118      |     | Cover, Spark plug (Use as required)  |
| 103   | 650814      |     | Screw, Torx T-15, 10-24 x 1"   |
| 110   | 34231       |     | Ground Wire  |
| 118   | 730194      |     | Rope Guide Kit (Use as required)   |

| Ref # | Part Number | Qty | Description   |
|-------|-------------|-----|---|
| 119   | 33554A      |     | * Gasket, Head  |
| 120   | 34342       |     | Head, Cylinder  |
| 125   | 29314B      |     | Intake Valve (Std.) (Incl. 151) (Conventional Ports)      |
| 125   | 29315C      |     | Intake Valve (1/32" OS) (Incl. 151) (Conventional Ports)  |
| 125   | 29313C      |     | Exhaust Valve (Std.) (Incl. 151) (Inverted Ports)         |
| 126   | 29313C      |     | Exhaust Valve (Std.) (Incl. 151) (Conventional Ports)     |
| 126   | 29315C      |     | Exhaust Valve (1/32" OS) (Incl. 151) (Conventional Ports) |
| 126   | 34776       |     | Exhaust Valve (Std.) (Incl. 151) (Conventional Ports)     |
| 126   | 32644A      |     | Intake Valve (Incl. 151) (Inverted Ports)                 |
| 130   | 6021A       |     | Screw, 5/16-18 x 1-1/2" (Use as required)                 |
| 130   | 650697A     |     | Screw, 5/16-18 x 2-1/2" (Use as required)                 |
| 135   | 35395       |     | Resistor Spark Plug (RJ19LM)                              |
| 150   | 31672       |     | Spring, Valve   |
| 151   | 31673       |     | Cap, Lower valve spring                                   |
| 167   | 650688      |     | Screw, 10-32 x 1" (Drilled thru)                          |
| 168   | 32924       |     | Spring, Speed adjusting screw                             |
| 169   | 27234A      |     | Gasket, Valve spring box cover                            |
| 172   | 32755       |     | Cover, Valve spring box                                   |
| 174   | 650128      |     | Screw, 10-24 x 1/2"                                       |
| 178   | 29752       |     | Nut & Lockwasher, 1/4-28                                  |
| 182   | 6201        |     | Screw, 1/4-28 x 7/8"                                      |
| 184   | 26756       |     | * Gasket, Carburetor                                      |
| 186   | 34358       |     | Link, Governor spring                                     |
| 200   | 33155A      |     | Control Bracket (Incl. 206)                               |
| 201   | 33150       |     | Bracket, Over-ride  |
| 206   | 610973      |     | Terminal (Use as required)                                |
| 207   | 34336       |     | Link, Throttle  |
| 209   | 30200       |     | Screw, 10-24 x 9/16"                                      |
| 210   | 27793       |     | Clip, Conduit   |
| 211   | 28942       |     | Screw, 10-32 x 3/8"                                       |
| 223   | 650451      |     | Screw, 1/4-20 x 1"  |
| 224   | 34690A      |     | * Gasket, Intake pipe                                     |
| 238   | 650806      |     | Screw, 10-32 x 5/8"                                       |
| 239   | 34338       |     | * Gasket, Air cleaner                                     |
| 240   | 34858       |     | Body, Air cleaner   |
| 246D  | 34927       |     | Felt, Air Cleaner   |
| 246E  | 35435       |     | Filter, Pre-air (Use as required)                         |
| 246   | 34340       |     | Element, Air cleaner                                      |
| 250   | 34792       |     | Cover, Air cleaner  |
| 260   | 35127       |     | Housing, Blower   |
| 261   | 30200       |     | Screw, 10-24 x 9/16"                                      |
| 262   | 650831      |     | Screw, 1/4-20 x 15/32"                                    |
| 277   | 650795      |     | Screw, 1/4-20 x 2-1/4" (Use as required)                  |
| 277   | 650774      |     | Screw, 1/4-20 x 2-3/8" (Use as required)                  |
| 277   | 792005      |     | Screw, 1/4-20 x 2-1/2" (Use as required)                  |
| 287   | 650802      |     | Screw, 1/4-20 x 5/8"                                      |
| 290   | 34357       |     | Fuel Line (Epichlorohydrin 6-3/4")(17 cm)                 |
| 290   | 29774       |     | Fuel Line(Braided 8-1/4")(21 cm)(Use as req.)             |
| 290   | 30705       |     | Fuel Line (Braided 16")(40 cm)(Use as req.)               |
| 290   | 30962       |     | Fuel Line (Braided 32")(81 cm)(Use as req.)               |
| 292   | 26460       |     | Clamp, Fuel line  |
| 298   | 28763       |     | Screw, 10-32 x 35/64"                                     |
| 301   | 33032       |     | Fuel Cap (Use as required)                                |
| 305   | 34264       |     | Oil Fill Tube   |
| 306   | 34265       |     | Gasket, Oil fill tube                                     |

| Ref # | Part Number | Qty | Description   |
|-------|-------------|-----|---|
| 306   | 34282       |     | "O" Ring (This "O" ring is required with metal fill tube only when replacement mounting flange with .777 dia. oil fill hole has been used.) |
| 307   | 33590       |     | "O" Ring  |
| 309   | 650562      |     | Screw, 10-32 x 1/2"   |
| 310   | 34267       |     | Oil Dipstick (Incl. 150)  |
| 313   | 34080       |     | Spacer, Flywheel key  |
| 325   | 29443       |     | Clip, Fuel line   |
| 326   | 34113       |     | Plug, Screen  |
| 370H  | 34387       |     | Decal, Instruction (Optional)   |
| 370J  | 34870       |     | Decal, Instruction (Optional)   |
| 370A  | 34346       |     | Decal, Instruction  |
| 379   | 631021      |     | Inlet Needle, Seat & Clip Assy.   |
| 380   | 632090      |     | Carburetor (Incl. 184) (Refer to Division 5, Section A, page A1-14 or Fiche 8A, Grid E-1 for breakdown)                                     |
| 390A  | 590531      |     | Side Mount Rewind Starter (Refer to Division 5, Section C, page 32 or Fiche 8A, Grid G-3 for breakdown)                                     |
| 400   | 33740D      |     | * Gasket Set (Incl. items marked *)   |
| 420   | 730225      |     | SAE 30, 4-Cycle Engine Oil (Quart)  |
| 425   | 730571      |     | Starter Muff Kit (Incl.370J,426,427)( Opt.)   |
| 426   | 32203       |     | Starter Air Cleaner (Optional)  |
| 427   | 32204       |     | Starter Air Cleaner Bracket (Optional )   |
| 436   | 611006      |     | Stator Plate Ass'y.(Incl.377,378,437, 442-448)  |
| 437   | 30551       |     | Spring, Breaker box cover   |
| 438   | 610947      |     | Cover, Dust   |
| 439   | 610955      |     | Gasket, Stator cover  |
| 440   | 30992       |     | Cam, Breaker  |
| 442   | 610385      |     | Washer  |
| 443   | 610408      |     | Nut, 8-32   |
| 444   | 29181       |     | Breaker Fastening Screw & Washer  |
| 445   | 610593      |     | Condenser Fastening Screw   |
| 446   | 33356       |     | Terminal, Ground  |

# VIEW 2 OF 3



| Ref # | Part Number | Qty | Description  |
|-------|-------------|-----|--|
| 32    | 32323       |     | Washer, Thrust NOTE: This thrust washer maynot be required if a new crankshafthas been installed. Check the proper Mechanic's Handbook for acceptable end play. Use this .010" thrust washer if excess end play is measured. |
| 118   | 730194      |     | Rope Guide Kit (Use as required)   |
| 167   | 650688      |     | Screw, 10-32 x 1" (Drilled thru)   |
| 168   | 32924       |     | Spring, Speed adjusting screw  |
| 201   | 33150       |     | Bracket, Over-ride   |
| 238   | 650806      |     | Screw, 10-32 x 5/8"  |
| 239   | 34338       |     | * Gasket, Air cleaner  |
| 246D  | 34927       |     | Felt, Air Cleaner  |
| 246   | 34340       |     | Element, Air cleaner   |
| 246E  | 35435       |     | Filter, Pre-air (Use as required)  |
| 250   | 34792       |     | Cover, Air cleaner   |
| 287A  | 650735      |     | Screw, 10-24 x 3/8" (Use as required)  |
| 287A  |             |     | Pop Rivet (3/16" Dia.) (Purchase loca lly)   |
| 300A  | 34476       |     | Fuel Tank (Incl. 292 & 301)  |
| 326   | 34113       |     | Plug, Screen   |
| 370H  | 34387       |     | Decal, Instruction (Optional)  |
| 370J  | 34870       |     | Decal, Instruction (Optional)  |
| 370   | 550223      |     | Decal, Name  |
| 390A  | 590531      |     | Side Mount Rewind Starter (Refer to Division 5, Section C, page 32 or Fiche 8A, Grid G-3 for breakdown)  |
| 425   | 730571      |     | Starter Muff Kit (Incl.370J,426,427)( Opt.)  |
| 426   | 32203       |     | Starter Air Cleaner (Optional)   |
| 427   | 32204       |     | Starter Air Cleaner Bracket (Optional )  |
| 436   | 611006      |     | Stator Plate Ass'y.(Incl.377,378,437, 442-448)   |
| 437   | 30551       |     | Spring, Breaker box cover  |
| 438   | 610947      |     | Cover, Dust  |
| 439   | 610955      |     | Gasket, Stator cover   |
| 440   | 30992       |     | Cam, Breaker   |
| 442   | 610385      |     | Washer   |
| 443   | 610408      |     | Nut, 8-32  |
| 444   | 29181       |     | Breaker Fastening Screw & Washer   |
| 445   | 610593      |     | Condenser Fastening Screw  |
| 446   | 33356       |     | Terminal, Ground   |

**VIEW 3 OF 3**



| Ref # | Part Number | Qty | Description  |
|-------|-------------|-----|--|
| 19    | 31361       |     | Spring, Extension  |
| 32    | 32323       |     | Washer, Thrust NOTE: This thrust washer maynot be required if a new crankshafthas been installed. Check the proper Mechanic's Handbook for acceptable end play. Use this .010" thrust washer if excess end play is measured. |
| 69    | 35261       |     | * Gasket, Mounting flange  |
| 118   | 730194      |     | Rope Guide Kit (Use as required)   |
| 167   | 650688      |     | Screw, 10-32 x 1" (Drilled thru)   |
| 168   | 32924       |     | Spring, Speed adjusting screw  |
| 182   | 6201        |     | Screw, 1/4-28 x 7/8"   |
| 185   | 31384A      |     | Pipe, Intake (Incl. 224)   |
| 186   | 34358       |     | Link, Governor spring  |
| 201   | 33150       |     | Bracket, Over-ride   |
| 206   | 610973      |     | Terminal (Use as required)   |
| 209   | 30200       |     | Screw, 10-24 x 9/16"   |
| 223   | 650451      |     | Screw, 1/4-20 x 1"   |
| 238   | 650806      |     | Screw, 10-32 x 5/8"  |
| 239   | 34338       |     | * Gasket, Air cleaner  |
| 240   | 34858       |     | Body, Air cleaner  |
| 246E  | 35435       |     | Filter, Pre-air (Use as required)  |
| 246D  | 34927       |     | Felt, Air Cleaner  |
| 246   | 34340       |     | Element, Air cleaner   |
| 250   | 34792       |     | Cover, Air cleaner   |
| 274   | 26754A      |     | * Gasket, Exhaust (Use as required)  |
| 274   | 30081A      |     | * Gasket, Exhaust  |
| 277   | 650795      |     | Screw, 1/4-20 x 2-1/4" (Use as requir ed)  |
| 277   | 650774      |     | Screw, 1/4-20 x 2-3/8" (Use as requir ed)  |
| 277   | 792005      |     | Screw, 1/4-20 x 2-1/2" (Use as requir ed)  |
| 277A  | 30063       |     | Screw, Torx T-30, 1/4-20 x 1/2" (Use as req.)  |
| 326   | 34113       |     | Plug, Screen   |
| 370H  | 34387       |     | Decal, Instruction (Optional)  |
| 370J  | 34870       |     | Decal, Instruction (Optional)  |
| 390A  | 590531      |     | Side Mount Rewind Starter (Refer to Division 5, Section C, page 32 or Fiche 8A, Grid G-3 for breakdown)  |
| 410   | 730574      |     | Debris Screen Kit(Incl.370H,411-413)( Opt.)  |
| 411   | 35596       |     | Screen, Debris (Optional)  |
| 412   | 35597       |     | Bracket, Debris screen (Optional)  |
| 413   | 650910      |     | Screw, 8-32 x 1/4 (Optional)   |
| 415   | 730162      |     | Muffler Adapter Kit(Incl.274,277)(Use as req)  |
| 425   | 730571      |     | Starter Muff Kit (Incl.370J,426,427)( Opt.)  |
| 426   | 32203       |     | Starter Air Cleaner (Optional)   |
| 427   | 32204       |     | Starter Air Cleaner Bracket (Optional )  |
| 436   | 611006      |     | Stator Plate Ass'y.(Incl.377,378,437, 442-448)   |
| 437   | 30551       |     | Spring, Breaker box cover  |
| 438   | 610947      |     | Cover, Dust  |
| 439   | 610955      |     | Gasket, Stator cover   |
| 440   | 30992       |     | Cam, Breaker   |
| 442   | 610385      |     | Washer   |
| 443   | 610408      |     | Nut, 8-32  |
| 444   | 29181       |     | Breaker Fastening Screw & Washer   |
| 445   | 610593      |     | Condenser Fastening Screw  |
| 446   | 33356       |     | Terminal, Ground   |