

ILLUSTRATION SHOWS TYPICAL PARTS ONLY. ORDER BY PART NUMBER. PARTS NOT LISTED ARE SUPPLIED BY OEM.

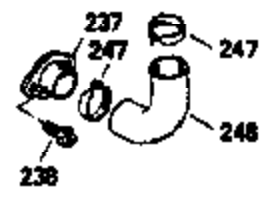
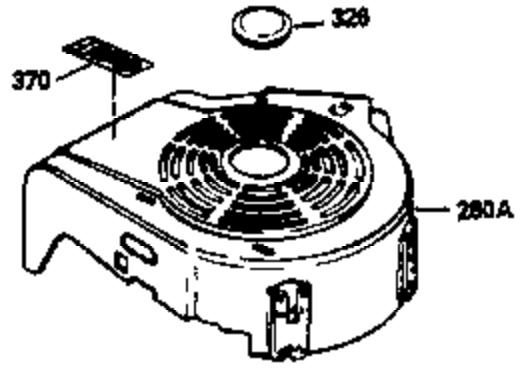
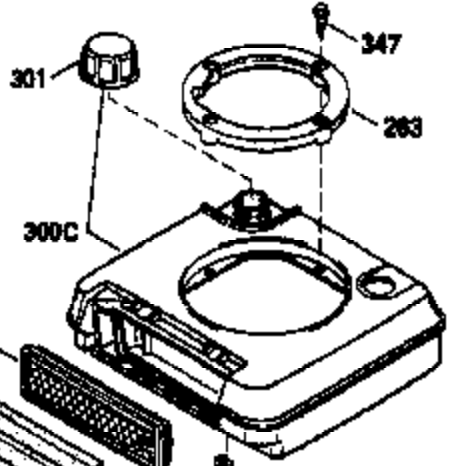
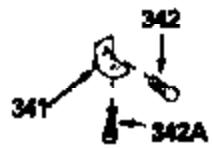
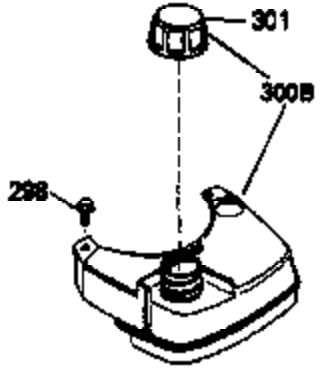
VIEW 1 OF 3



| Ref # | Part Number | Qty | Description |
|-------|-------------|-----|---|
| 1 | 33968B | | Cylinder (Incl. 2 & 20) (2-13/16" Bore) |
| 2 | 26727 | | Pin, Dowel |
| 6 | 33734 | | Element, Breather |
| 7 | 34214A | | Breather Assy. (Incl. 6, 8, 9, 12 & 1 2A) |
| 8 | 33735 | | * Gasket, Breather |
| 9 | 30200 | | Screw, 10-24 x 9/16" |
| 12 | 33886 | | Tube, Breather |
| 14 | 28277 | | Washer, Flat |
| 15 | 30589 | | Rod, Governor (Incl. 14) |
| 16 | 31383A | | Lever, Governor |
| 17 | 31335 | | Clamp, Governor lever |
| 18 | 650548 | | Screw, 8-32 x 5/16" |
| 19 | 31386 | | Spring, Governor |
| 20 | 32600 | | Seal, Oil |
| 30 | 34570A | | Crankshaft |
| 40 | 34535 | | Piston, Pin & Ring Set (Std.) (2-13/16" Bore) |
| 40 | 34536 | | Piston, Pin & Ring Set (.010" OS) |
| 40 | 34537 | | Piston, Pin & Ring Set (.020" OS) |
| 41 | 33562B | | Piston & Pin Ass'y.(Incl.43)(Std.)(2- 13/16") |
| 41 | 33563B | | Piston & Pin Ass'y. (Incl. 43) (.010" OS) |
| 41 | 33564B | | Piston & Pin Ass'y. (Incl. 43) (.020" OS) |
| 42 | 33567 | | Ring Set (Std.) (2-13/16" Bore) |
| 42 | 33568 | | Ring Set (.010" OS) |
| 42 | 33569 | | Ring Set (.020" OS) |
| 43 | 20381 | | Ring, Piston pin retaining |
| 45 | 32875 | | Rod Assy., Connecting (Incl. 46) |
| 46 | 32610A | | Bolt, Connecting rod |
| 48 | 27241 | | Lifter, Valve |
| 50 | 33553 | | Camshaft (MCR) |
| 52 | 29914 | | Oil Pump Assy. |
| 69 | 35261 | | * Gasket, Mounting flange |
| 70 | 34311C | | Flange Ass'y. (Incl. 72, 72A, 73, 75 & 80) |
| 72 | 30572 | | Plug, Oil drain (Incl. 73) |
| 73 | 28833 | | * Drain Plug Gasket (Not req. W/plastic plug) |
| 75 | 27897 | | Seal, Oil |
| 80 | 30574 | | Shaft, Governor |
| 81 | 30590A | | Washer, Flat |
| 82 | 30591 | | Gear Assy., Governor (Incl. 81) |
| 83 | 30588A | | Spool, Governor |
| 84 | 29193 | | Ring, Retaining |
| 86 | 650488 | | Screw, 1/4-20 x 1-1/4" |
| 89 | 611004 | | Flywheel Key |
| 90 | 611112 | | Flywheel |
| 92 | 650815 | | Washer, Belleville |
| 93 | 650816 | | Nut, Flywheel |
| 100 | 34443A | | Solid State Ignition |
| 101 | 610118 | | Cover, Spark plug |
| 103 | 650814 | | Screw, Torx T-15, 10-24 x 1" |
| 110 | 35182 | | Wire, Ground |
| 119 | 33554A | | * Gasket, Head |
| 120 | 34342 | | Head, Cylinder |
| 125 | 29314B | | Intake Valve (Std.) (Incl. 151) (Conventional Ports) |
| 125 | 29315C | | Intake Valve (1/32" OS) (Incl. 151) (Conventional Ports) |
| 126 | 29313C | | Exhaust Valve (Std.) (Incl. 151) (Conventional Ports) |
| 126 | 29315C | | Exhaust Valve (1/32" OS) (Incl. 151) (Conventional Ports) |
| 130 | 6021A | | Screw, 5/16-18 x 1-1/2" |
| 135 | 35395 | | Resistor Spark Plug (RJ19LM) |
| 150 | 31672 | | Spring, Valve |

| Ref # | Part Number | Qty | Description |
|-------|-------------|-----|---|
| 151 | 31673 | | Cap, Lower valve spring |
| 167 | 650688 | | Screw, 10-32 x 1" |
| 168 | 32924 | | Spring, Speed adjusting screw |
| 169 | 27234A | | Gasket, Valve spring box cover |
| 172 | 32755 | | Cover, Valve spring box |
| 174 | 650128 | | Screw, 10-24 x 1/2" |
| 178 | 29752 | | Nut & Lockwasher, 1/4-28 |
| 182 | 6201 | | Screw, 1/4-28 x 7/8" |
| 184 | 26756 | | * Gasket, Carburetor |
| 185 | 33004A | | Pipe, Intake (Incl. 224) |
| 186 | 34337 | | Link, Governor spring |
| 200 | 33155A | | Control Bracket (Incl. 206) |
| 201 | 33150 | | Bracket, Over-ride |
| 206 | 610973 | | Terminal |
| 207 | 34336 | | Link, Throttle |
| 209 | 30200 | | Screw, 10-24 x 9/16" |
| 210 | 27793 | | Clip, Conduit |
| 211 | 28942 | | Screw, 10-32 x 3/8" |
| 223 | 650451 | | Screw, 1/4-20 x 1" |
| 224 | 34690A | | * Gasket, Intake pipe |
| 246C | 34783 | | Filter, Pre-air |
| 246D | 35435 | | Filter, Pre-Air (Optional) |
| 250D | 35536 | | Seal, Air cleaner cover |
| 260 | 35534 | | Housing, Blower |
| 261 | 30200 | | Screw, 10-24 x 9/16" |
| 262 | 650831 | | Screw, 1/4-20 x 15/32" |
| 277 | 650795 | | Screw, 1/4-20 x 2-1/4" (Use as required) |
| 285 | 35000 | | Hub, Starter |
| 287 | 650884 | | Screw, 8-32 x 1/2" |
| 290 | 34357 | | Fuel Line (Epichlorohydrin 6-3/4") (17 cm) |
| 290 | 29774 | | Fuel Line(Braided 8-1/4")(21 cm)(Use as req.) |
| 290 | 30705 | | Fuel Line (Braided 16") (40 cm) (Use as req.) |
| 290 | 30962 | | Fuel Line (Braided 32") (81 cm) (Use as req.) |
| 292 | 26460 | | Clamp, Fuel line |
| 301 | 33032 | | Fuel Cap (Use as required) |
| 305 | 35577 | | Tube, Oil fill |
| 306 | 34265 | | Gasket, Oil fill tube |
| 307 | 35499 | | "O" Ring |
| 309 | 650562 | | Screw, 10-32 x 1/2" |
| 310 | 35578 | | Dipstick |
| 313 | 34080 | | Spacer, Flywheel key |
| 327 | 35392 | | Plug, Starter |
| 370A | 34346 | | Decal, Instruction |
| 370 | 550223 | | Decal, Name |
| 370G | 34387 | | Decal, Instruction (Optional) |
| 379 | 631021 | | Inlet Needle, Seat & Clip Ass'y. |
| 380 | 632090 | | Carburetor (Incl. 184) (Refer to Division 5, Section A, page A1-14 or Fiche 8A, Grid E-1 for breakdown) |
| 390 | 590635 | | Rewind Starter (Refer to Division 5, Section C, page 34 or Fiche 8A, Grid G-5 for breakdown) |
| 400 | 33740D | | * Gasket Set (Incl. items marked *) |
| 420 | 730225 | | SAE 30, 4-Cycle Engine Oil (Quart) |

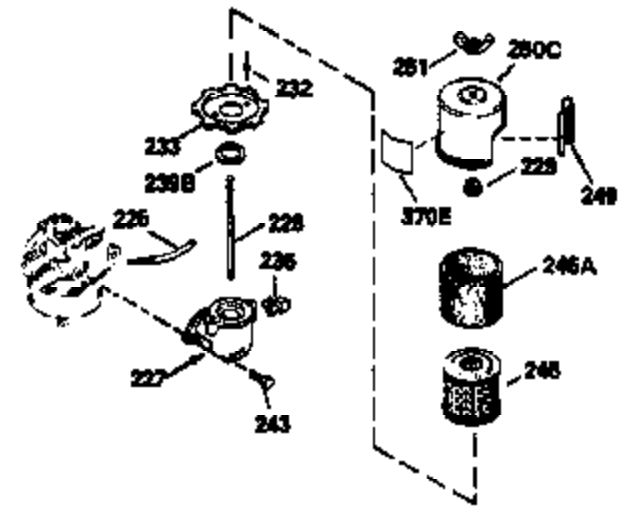
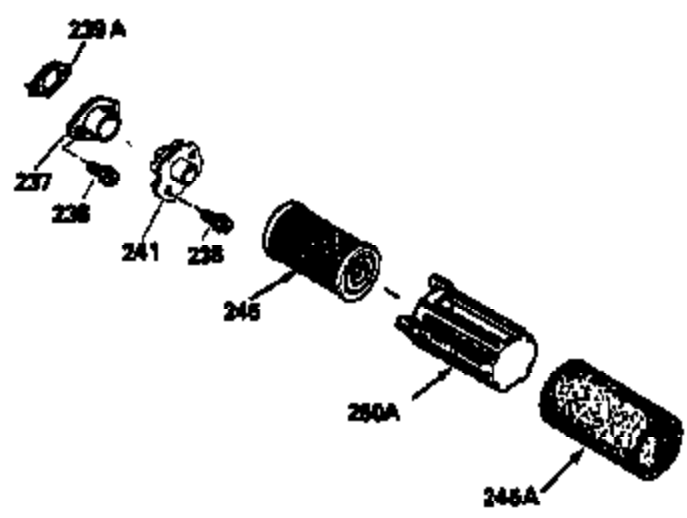
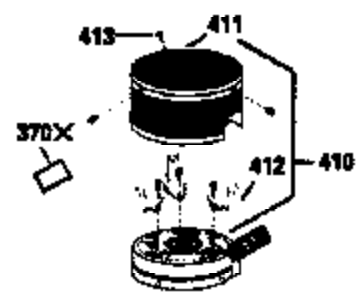
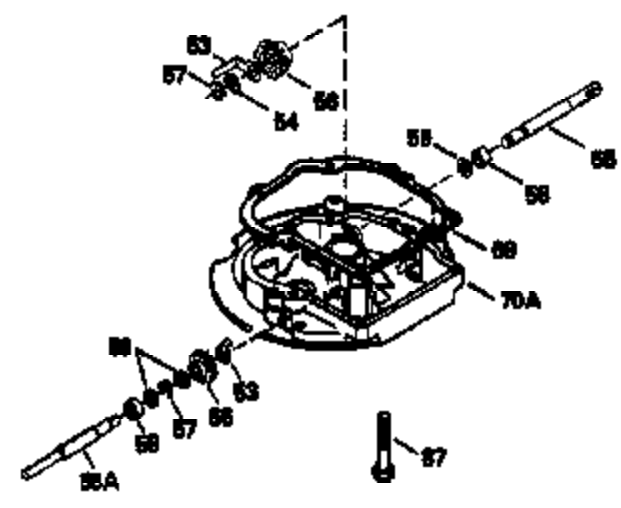
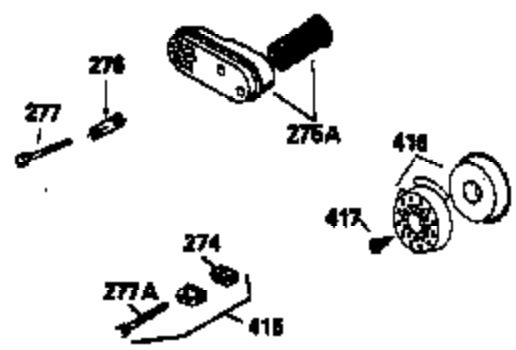
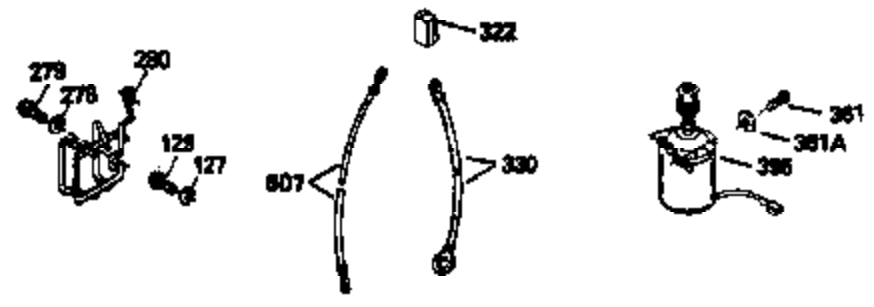
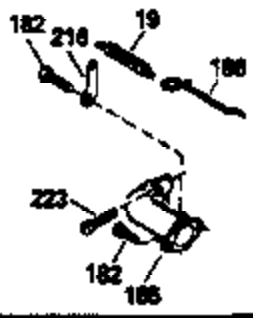
ILLUSTRATION SHOWS TYPICAL PARTS ONLY. ORDER BY PART NUMBER. PARTS NOT LISTED ARE SUPPLIED BY OEM.
VIEW 2 OF 3



| Ref # | Part Number | Qty | Description |
|-------|-------------|-----|---|
| | 92 650815 | | Washer, Belleville |
| 245A | 34782 | | Filter, Air cleaner (Incl. 229) |
| 246C | 34783 | | Filter, Pre-air |
| 246D | 35435 | | Filter, Pre-Air (Optional) |
| 250D | 35536 | | Seal, Air cleaner cover |
| | 287 650884 | | Screw, 8-32 x 1/2" |
| | 298 28763 | | Screw, 10-32 x 35/64" |
| 300A | 34476 | | Fuel Tank (Incl. 292 & 301) |
| | 301 33032 | | Fuel Cap (Use as required) |
| | 370 550223 | | Decal, Name |
| 370A | 34346 | | Decal, Instruction |
| 370G | 34387 | | Decal, Instruction (Optional) |
| | 390 590635 | | Rewind Starter (Refer to Division 5, SecionC, page 34 or Fiche 8A, Grid G-5 for breakdown) |

ILLUSTRATION SHOWS TYPICAL PARTS ONLY. ORDER BY PART NUMBER. PARTS NOT LISTED ARE SUPPLIED BY OEM.

VIEW 3 OF 3



| Ref # | Part Number | Qty | Description |
|-------|-------------|-----|--|
| 19 | 31386 | | Spring, Governor |
| 69 | 35261 | | * Gasket, Mounting flange |
| 92 | 650815 | | Washer, Belleville |
| 182 | 6201 | | Screw, 1/4-28 x 7/8" |
| 185 | 33004A | | Pipe, Intake (Incl. 224) |
| 186 | 34337 | | Link, Governor spring |
| 223 | 650451 | | Screw, 1/4-20 x 1" |
| 225 | 35043 | | Tube, Carburetor |
| 227 | 35917 | | Elbow Assy., Air cleaner (Incl. No. 2 43) |
| 228 | 650826 | | Stud, threaded both ends, 1/4-20 x 6. 20 |
| 229 | 650825 | | Nut & Lockwasher, 1/4-20 |
| 232 | | | Pop Rivet (1/8" dia.) (Purchase Local ly) |
| 233 | 34699 | | Bracket, Air cleaner |
| 235 | 35533 | | Fitting, Air cleaner elbow |
| 239A | 35815 | | Gasket, Air cleaner |
| 239B | 34698A | | Gasket, Air cleaner bracket |
| 243 | 650940 | | Screw, 10-32 x 3/4" |
| 245A | 34782 | | Filter, Air cleaner (Incl. 229) |
| 246C | 34783 | | Filter, Pre-air |
| 246D | 35435 | | Filter, Pre-Air (Optional) |
| 250C | 35535 | | Cover, Air cleaner |
| 250D | 35536 | | Seal, Air cleaner cover |
| 251 | 650513 | | Nut, Wing, 1/4-20 |
| 275A | 391019 | | Muffler |
| 276 | 33753 | | Plate, Locking |
| 277A | 30063 | | Screw, Torx T-30, 1/4-20 x 1/2" (Use as req.) |
| 277 | 650795 | | Screw, 1/4-20 x 2-1/4" (Use as requir ed) |
| 370E | 34704 | | Decal, Air cleaner |
| 370G | 34387 | | Decal, Instruction (Optional) |
| 370A | 34346 | | Decal, Instruction |
| 410 | 730574 | | Opt.Debris Screen Kit (Incl.370G,411, 412,413) |
| 411 | 35596 | | Debris Screen (Optional) |
| 412 | 35597 | | Debris Screen Bracket (Optional) |
| 413 | 650910 | | Screw, 8-32 x 1/4 (Optional) |
| 415 | 730162 | | Muffler Adapter Kit(In.274,277A)(Use as req.) |