

ILLUSTRATION SHOWS TYPICAL PARTS ONLY. ORDER BY PART NUMBER. PARTS NOT LISTED ARE SUPPLIED BY OEM.

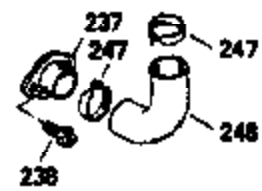
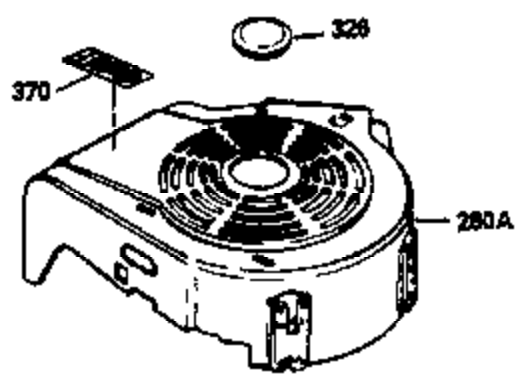
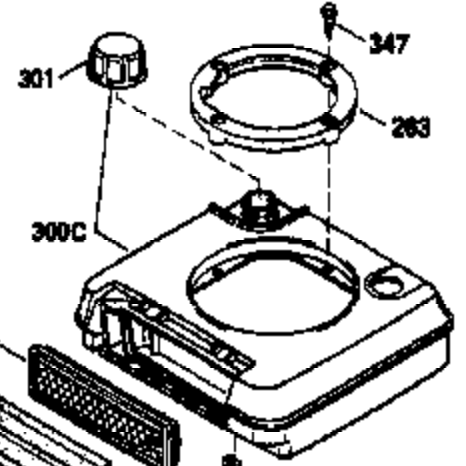
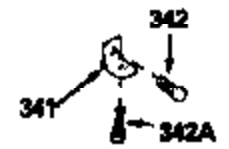
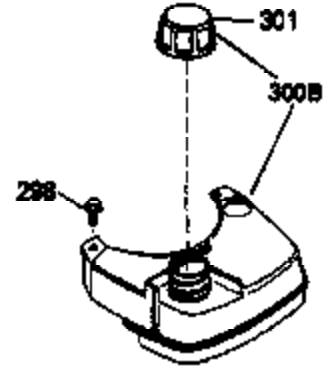
### VIEW 1 OF 3



Ref #	Part Number	Qty	Description
1	36478	1	Cylinder (Incl. 2 & 20)
2	26727	2	Dowel Pin
6	33734	1	Breather Element
7	34214A	1	Breather Ass'y. (Incl. 6, 8 & 9)
8	33735	1	* Breather Gasket
9	30200	2	Screw, 10-24 x 9/16"
12	35496	1	Breather Tube
14	28277	1	Washer
15	31513	1	Governor Rod (Incl. 14)
16	31383A	1	Governor Lever
17	31335	1	Governor Lever Clamp
18	650548	1	Screw, 8-32 x 5/16"
19	36281	1	Extension Spring
20	32600	1	Oil Seal
30	34470B	1	Crankshaft
40	36073	1	Piston, Pin & Ring Set (Std.)
40	36074	1	Piston, Pin & Ring Set (.010" OS)
40	36075	1	Piston, Pin & Ring Set (.020" OS)
41	36070	1	Piston & Pin Ass'y. (Std.) (Incl. 43)
41	36071	1	Piston & Pin Ass'y. (.010" OS) (Incl. 43)
41	36072	1	Piston & Pin Ass'y. (.020" OS) (Incl. 43)
42	36076	1	Ring Set (Std.)
42	36077	1	Ring Set (.010" OS)
42	36078	1	Ring Set (.020" OS)
43	20381	2	Piston Pin Retaining Ring
45	32875	1	Connecting Rod Ass'y. (Incl. 46)
46	32610A	2	Connecting Rod Bolt
48	27241	2	Valve Lifter
50	33533	1	Camshaft (MCR)
52	29914	1	Oil Pump Ass'y.
69	35261	1	* Mounting Flange Gasket
70	33535C	1	Mounting Flange (Incl. 58 & 72 thru 8 3)
72A	9556	1	Oil Drain Plug
72	36083	1	Oil Drain Plug
75	26208	1	Oil Seal
80	30574A	1	Governor Shaft
81	30590A	1	Washer
82	30591	1	Governor Gear Ass'y. (Incl. 81)
83	30588A	1	Governor Spool
86	650488	5	Screw, 1/4-20 x 1-1/4"
89	611004	1	Flywheel Key
90	611112	1	Flywheel
92	650815	1	Belleville Washer
93	650816	1	Flywheel Nut
100	34443A	1	Solid State Ignition
101	610118	1	Spark Plug Cover
103	650814	2	Screw, Torx T-15, 10-24 x 1"
110	36230	1	Ground Wire
119	36477	1	* Cylinder Head Gasket
120	36476	1	Cylinder Head
125	36471	1	Exhaust Valve (Std.) (Incl. 151)
125	36472	1	Exhaust Valve (1/32" OS) (Incl. 151)
126	29314B	1	Intake Valve (Std.) (Incl. 151)
126	29315C	1	Intake Valve (1/32" OS) (Incl. 151)
130	6021A	8	Screw, 5/16-18 x 1-1/2"
135	35395	1	Resistor Spark Plug (RJ19LM)
150	35991	2	Valve Spring
151	31673	2	Valve Spring Cap

Ref #	Part Number	Qty	Description
169	27234A	1	* Valve Cover Gasket
172	32755	1	Valve Cover
174	30200	2	Screw, 10-24 x 9/16"
178	29752	2	Nut & Lock Washer, 1/4-28
179	30593	1	Retainer Clip
182	6201	2	Screw, 1/4-28 x 7/8"
184	26756	1	* Carburetor To Intake Pipe Gasket
185	31384A	1	Intake Pipe (Incl. 224)
186	34337	1	Governor Link
200	33131A	1	Control Bracket (Incl. 202 thru 206)
202	36482	1	Compression Spring
203	31342	1	Compression Spring
204	650549	1	Screw, 5-40 x 7/16"
205	650777	1	Screw, 6-32 x 21/32"
206	610973	1	Terminal
207	34336	1	Throttle Link
209	30200	2	Screw, 10-24 x 9/16"
210	27793	1	Conduit Clip
211	28942	1	Screw, 10-32 x 3/8"
223	650451	2	Screw, 1/4-20 x 1"
224	34690A	1	* Intake Pipe Gasket
238	650709	2	Screw, 10-32 x 7/16"
239	35815	1	Air Cleaner Gasket
245	35500	1	Air Cleaner Filter
260	35497	1	Blower Housing
261	30200	2	Screw, 10-24 x 9/16"
262	650831	2	Screw, 1/4-20 x 1/2"
275	35993	1	Muffler
277	650957	2	Screw, 1/4-20 x 2-31/32"
285	35000A	1	Starter Cup
287	650926	2	Screw, 8-32 x 21/64"
290	30705	1	Fuel Line
292	26460	2	Fuel Line Clamp
299	650900	2	"U" Type Nut, 10-32
300	35501A	1	Shroud & Tank Ass'y. (Incl. 301)
301	35355	1	Fuel Cap
305	35498	1	Oil Fill Tube
306	34265	1	* "O" Ring
307	35499	1	"O" Ring
309	650562	1	Screw, 10-32 x 1/2"
310	35507	1	Dipstick
313	34080	1	Spacer
327	35392	1	Starter Plug
370	36261	1	Lubrication Decal
370A	36260	1	Primer Decal
380	632669	1	Carburetor (Incl. 184)
390	590688	1	Rewind Starter (NOTE: This engine could have been built with 590732 starter. Refer to the design of the air intake louvers for part identification. Individual starter parts do not interchange.)
400	36481	1	* Gasket Set (Incl. items marked PK in notes) Incl. part #'s 26756 (1), 27234A (1), 33735 (1), 34265 (1), 34338 (1), 34690A (1), 35261 (1), 36477 (1)
420	730225	1	SAE 30 4-Cycle Engine Oil (Quart)

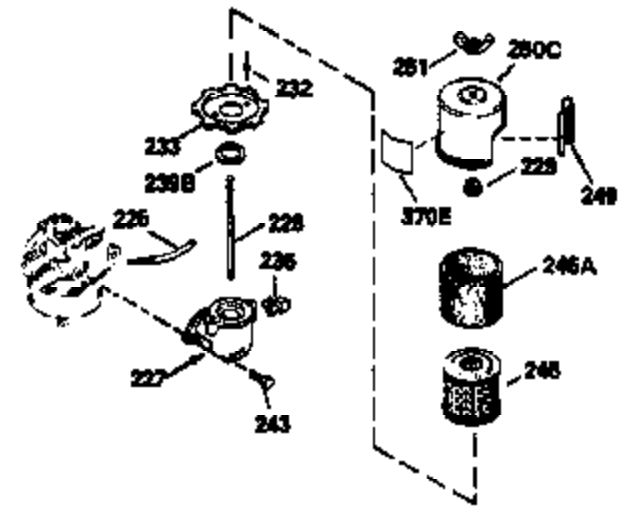
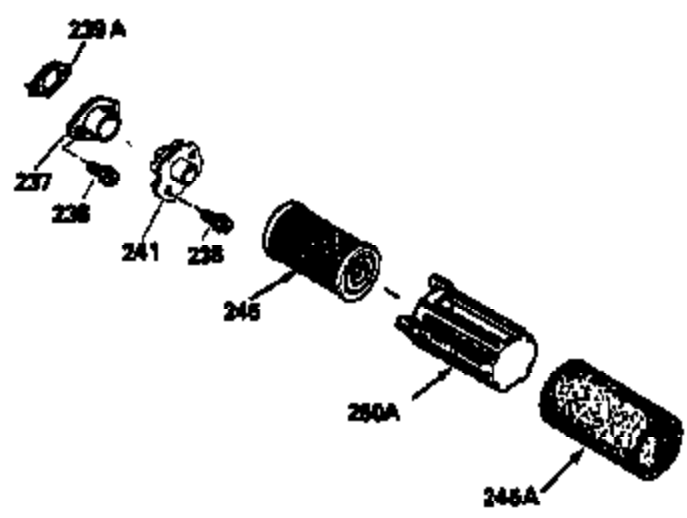
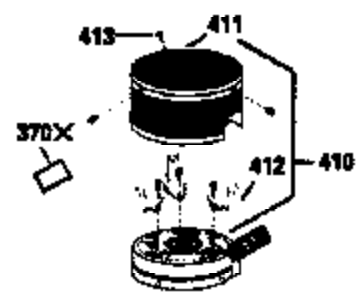
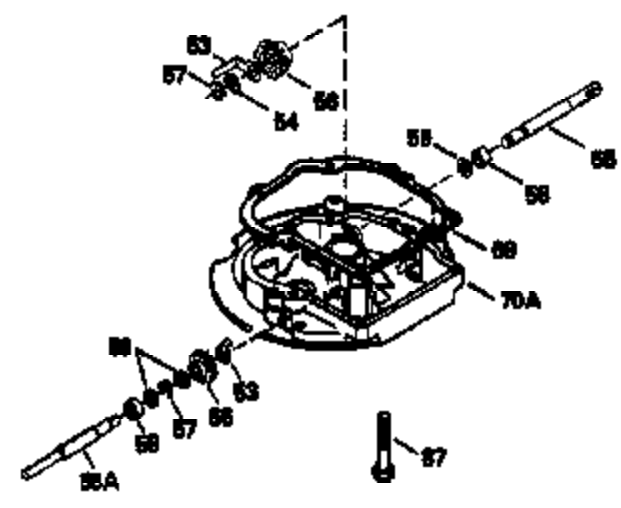
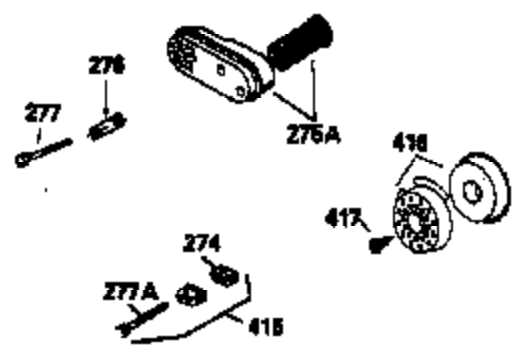
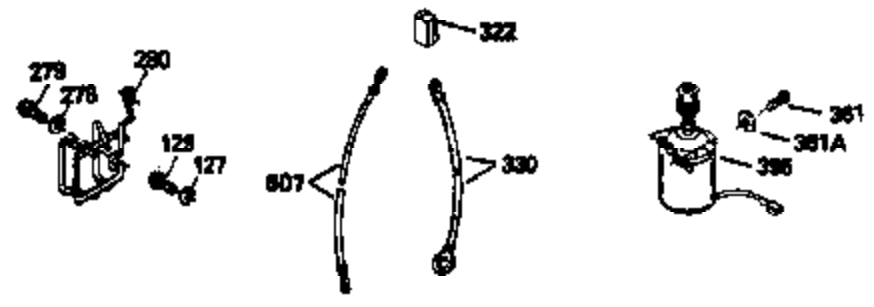
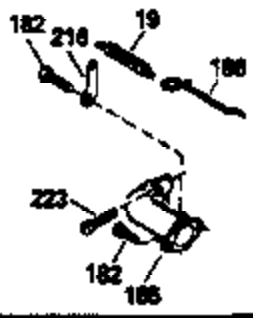
ILLUSTRATION SHOWS TYPICAL PARTS ONLY. ORDER BY PART NUMBER. PARTS NOT LISTED ARE SUPPLIED BY OEM.  
**VIEW 2 OF 3**



Ref #	Part Number	Qty	Description
92	650815	1	Belleville Washer
237	32971	1	Air Cleaner Adaptor
238	650709	2	Screw, 10-32 x 7/16"
245	35500	1	Air Cleaner Filter
247	35505	2	Air Cleaner Tube Clamp
248	35504	1	Air Cleaner Tube
263	36484	1	Trim Ring
287	650926	2	Screw, 8-32 x 21/64"
299	650900	2	"U" Type Nut, 10-32
301	35355	1	Fuel Cap
347	650898	4	Screw, 10-32 x 27/32"
370	36261	1	Lubrication Decal
370A	36260	1	Primer Decal
390	590688	1	Rewind Starter (NOTE: This engine could have been built with 590732 starter. Refer to the design of the air intake louvers for part identification. Individual starter parts do not interchange.)

ILLUSTRATION SHOWS TYPICAL PARTS ONLY. ORDER BY PART NUMBER. PARTS NOT LISTED ARE SUPPLIED BY OEM.

### VIEW 3 OF 3



Ref #	Part Number	Qty	Description
19	36281	1	Extension Spring
53	31745	1	Washer
55	33651	1	P.T.O. Shaft
56	31746	1	L.H. Worm Gear
57	33537	1	Retaining Ring
58	31744	1	Oil Seal
59	31747	2	Washer
69	35261	1	* Mounting Flange Gasket
87	650492	1	Screw, 1/4-20 x 2-1/4"
92	650815	1	Belleville Washer
182	6201	2	Screw, 1/4-28 x 7/8"
185	31384A	1	Intake Pipe (Incl. 224)
186	34337	1	Governor Link
223	650451	2	Screw, 1/4-20 x 1"
237	32971	1	Air Cleaner Adaptor
238	650709	2	Screw, 10-32 x 7/16"
243	650899	2	Screw, 10-32 x 2-3/32"
245	35500	1	Air Cleaner Filter
250	35503	1	Air Cleaner Cover
276	35994	1	Locking Plate
277	650957	2	Screw, 1/4-20 x 2-31/32"
279	650956	3	Screw, Torx T-25, 12-24 x 49/64"
280	36510	1	Heat Shield
370A	36260	1	Primer Decal