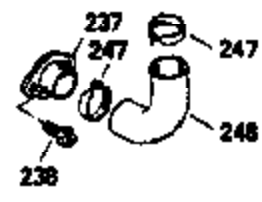
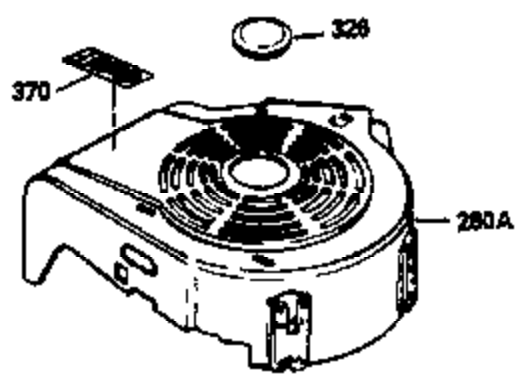
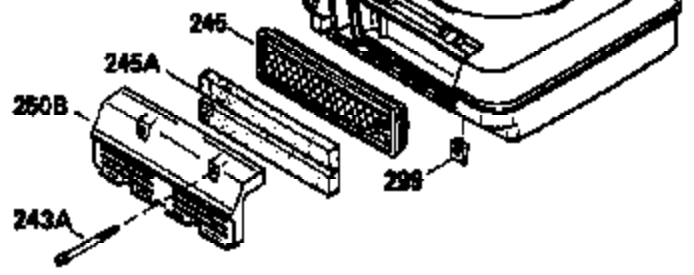
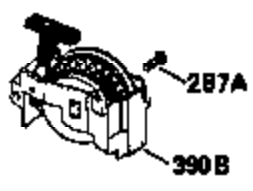
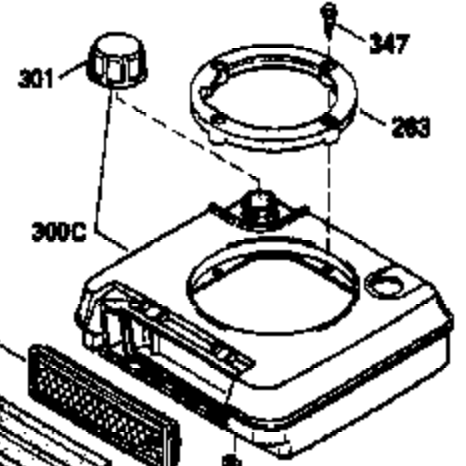
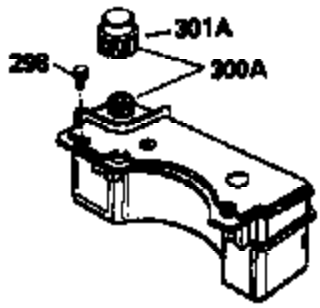
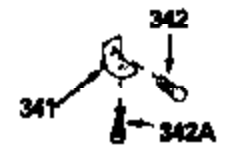
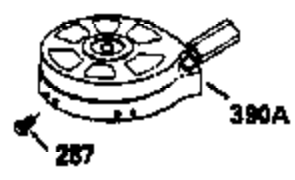
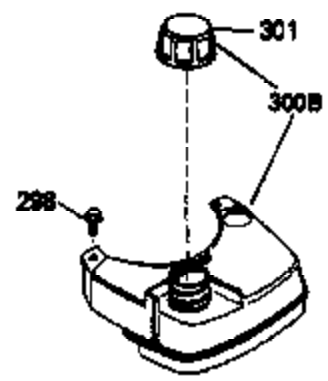
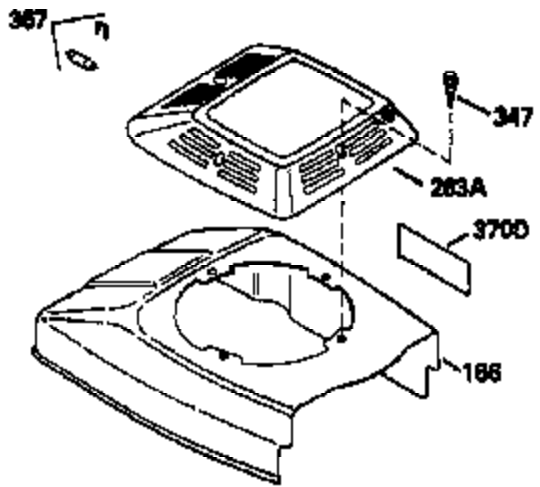


| Ref # | Part Number | Qty | Description |
|-------|-------------|-----|---|
| | RPMHigh | | 2700 to 3000 |
| | RPMLow | | 2300 to 2600 |
| 1 | 33968B | 1 | Cylinder (Incl. 2 & 20) |
| 2 | 26727 | 2 | Dowel Pin |
| 6 | 33734 | 1 | Breather Element |
| 7 | 34214A | 1 | Breather Ass'y. (Incl.6,8,9,12 & 12B) |
| 8 | 33735 | 1 | * Breather Gasket |
| 9 | 30200 | 2 | Screw, 10-24 x 9/16" |
| 12 | 33886 | 1 | Breather Tube |
| 12B | 34695 | 1 | Breather Tube Elbow |
| 14 | 28277 | 1 | Washer |
| 15 | 30589 | 1 | Governor Rod (Incl. 14) |
| 16 | 31383A | 1 | Governor Lever |
| 17 | 31335 | 1 | Governor Lever Clamp |
| 18 | 650548 | 1 | Screw, 8-32 x 5/16" |
| 19 | 31361 | 1 | Extension Spring |
| 20 | 32600 | 1 | Oil Seal |
| 30 | 35801 | 1 | Crankshaft |
| 40 | 34535 | 1 | Piston, Pin & Ring Set (Std.) |
| 40 | 34536 | 1 | Piston, Pin & Ring Set (.010" OS) |
| 40 | 34537 | 1 | Piston, Pin & Ring Set (.020" OS) |
| 41 | 33562B | 1 | Piston & Pin Ass'y. (Std.) (Incl. 43) |
| 41 | 33563B | 1 | Piston & Pin Ass'y. (.010" OS) (Incl. 43) |
| 41 | 33564B | 1 | Piston & Pin Ass'y. (.020" OS) (Incl. 43) |
| 42 | 33567 | 1 | Ring Set (Std.) |
| 42 | 33568 | 1 | Ring Set (.010" OS) |
| 42 | 33569 | 1 | Ring Set (.020" OS) |
| 43 | 20381 | 2 | Piston Pin Retaining Ring |
| 45 | 32875 | 1 | Connecting Rod Ass'y. (Incl. 46) |
| 46 | 32610A | 2 | Connecting Rod Bolt |
| 48 | 27241 | 2 | Valve Lifter |
| 50 | 35992 | 1 | Camshaft (MCR) |
| 52 | 29914 | 1 | Oil Pump Ass'y. |
| 69 | 35261 | 1 | * Mounting Flange Gasket |
| 70 | 34311D | 1 | Mounting Flange (Incl. 72, 75 & 80) |
| 72 | 30572 | 1 | Oil Drain Plug (Incl. 73) |
| 73 | 28833 | 1 | Drain Plug Gasket |
| 75 | 27897 | 1 | Oil Seal |
| 80 | 30574 | 1 | Governor Shaft |
| 81 | 30590A | 1 | Washer |
| 82 | 30591 | 1 | Governor Gear Ass'y. (Incl. 81) |
| 83 | 30588A | 1 | Governor Spool |
| 84 | 29193 | 2 | Retaining Ring |
| 86 | 650488 | 6 | Screw, 1/4-20 x 1-1/4" |
| 89 | 611004 | 1 | Flywheel Key |
| 90 | 611150 | 1 | Flywheel |
| 92 | 650815 | 1 | Belleville Washer |
| 93 | 650816 | 1 | Flywheel Nut |
| 100 | 34443A | 1 | Solid State Ignition |
| 101 | 610118 | 1 | Spark Plug Cover |
| 103 | 650814 | 2 | Screw, Torx T-15, 10-24 x 1" |
| 110 | 34961 | 1 | Ground Wire |
| 110A | 34970 | 1 | Ground Wire |
| 119 | 33554A | 1 | * Cylinder Head Gasket |
| 120 | 34342 | 1 | Cylinder Head |
| 125 | 29313C | 1 | Exhaust Valve (Std.) (Incl. 151) |
| 125 | 29315C | 1 | Exhaust Valve (1/32" OS) (Incl. 151) |
| 126 | 29314B | 1 | Intake Valve (Std.) (Incl. 151) |

| Ref # | Part Number | Qty | Description |
|-------|-------------|-----|--------------------------------------|
| 126 | 29315C | 1 | Intake Valve (1/32" OS) (Incl. 151) |
| 130 | 6021A | 8 | Screw, 5/16-18 x 1-1/2" |
| 135 | 35395 | 1 | Resistor Spark Plug (RJ19LM) |
| 150 | 35991 | 2 | Valve Spring |
| 151 | 31673 | 2 | Valve Spring Cap |
| 169 | 27234A | 1 | * Valve Cover Gasket |
| 172 | 32755 | 1 | Valve Cover |
| 174 | 650128 | 2 | Screw, 10-24 x 1/2" |
| 178 | 29752 | 2 | Nut & Lock Washer, 1/4-28 |
| 182 | 6201 | 2 | Screw, 1/4-28 x 7/8" |
| 184 | 26756 | 1 | * Carburetor To Intake Pipe Gasket |
| 185 | 31384A | 1 | Intake Pipe (Incl. 224) |
| 186 | 34358 | 1 | Governor Link |
| 189 | 650831 | 2 | Screw, 1/4-20 x 1/2" |
| 190 | 35831 | 1 | Brake Lever |
| 191 | 35039B | 1 | S.E. Brake Bracket (Incl. 195) |
| 192 | 34966 | 1 | Brake Control Link |
| 193 | 34965 | 1 | Brake Spring |
| 194 | 32309 | 1 | Retaining Ring |
| 195 | 610973 | 1 | Terminal |
| 196 | 35035 | 1 | Power Restart Switch |
| 200 | 33131A | 1 | Control Bracket (Incl. 202 thru 205) |
| 202 | 33802 | 1 | Compression Spring |
| 203 | 31342 | 1 | Compression Spring |
| 204 | 650549 | 1 | Screw, 5-40 x 7/16" |
| 205 | 650777 | 1 | Screw, 6-32 x 21/32" |
| 207 | 34336 | 1 | Throttle Link |
| 209 | 30200 | 2 | Screw, 10-24 x 9/16" |
| 210 | 27793 | 1 | Conduit Clip |
| 211 | 28942 | 1 | Screw, 10-32 x 3/8" |
| 223 | 650451 | 2 | Screw, 1/4-20 x 1" |
| 224 | 34690A | 1 | * Intake Pipe Gasket |
| 238 | 650932 | 2 | Screw, 10-32 x 49/64" |
| 239 | 34338 | 1 | * Air Cleaner Gasket |
| 245 | 35066 | 1 | Air Cleaner Filter |
| 260 | 35826 | 1 | Blower Housing |
| 261 | 30200 | 2 | Screw, 10-24 x 9/16" |
| 262 | 650831 | 2 | Screw, 1/4-20 x 1/2" |
| 275 | 35993 | 1 | Muffler |
| 277 | 650957 | 2 | Screw, 1/4-20 x 2-31/32" |
| 285 | 35000 | 1 | Starter Cup |
| 287 | 650884 | 2 | Screw, 8-32 x 1/2" |
| 290 | 34357 | 1 | Fuel Line |
| 292 | 26460 | 2 | Fuel Line Clamp |
| 300 | 35586 | 1 | Fuel Tank (Incl. 292 & 301) |
| 301 | 35355 | 1 | Fuel Cap |
| 305 | 35819A | 1 | Oil Fill Tube |
| 306 | 34265 | 1 | * "O" Ring |
| 307 | 35499 | 1 | "O" Ring |
| 309 | 650936 | 1 | Screw, 10-32 x 13/32" |
| 310 | 35822 | 1 | Dipstick |
| 313 | 34080 | 1 | Spacer |
| 314 | 650767 | 2 | Screw, 8-32 x 27/64" |
| 315 | 34990 | 1 | Alternator Coil (Milli-Amp) |
| 325 | 35249 | 1 | Wire Clip |
| 370 | 35977 | 1 | Instruction Decal |
| 370A | 35840 | 1 | Name Decal |
| 380 | 632078A | 1 | Carburetor (Incl. 184) |

| Ref # | Part Number | Qty | Description |
|-------|-------------|-----|---|
| 390 | 590637 | 1 | Rewind Starter |
| 400 | 35997 | 1 | * Gasket Set (Incl. items marked PK i n notes) Incl. part #'s 26756 (1), 27234A (1), 33554A (1), 33735 (1), 34265 (1), 34338 (1), 34690A (1), 35261 (1) |
| 420 | 730225 | 1 | SAE 30 4-Cycle Engine Oil (Quart) |

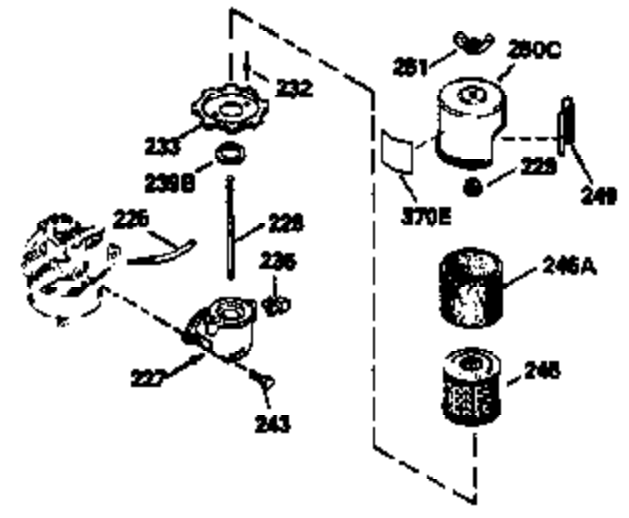
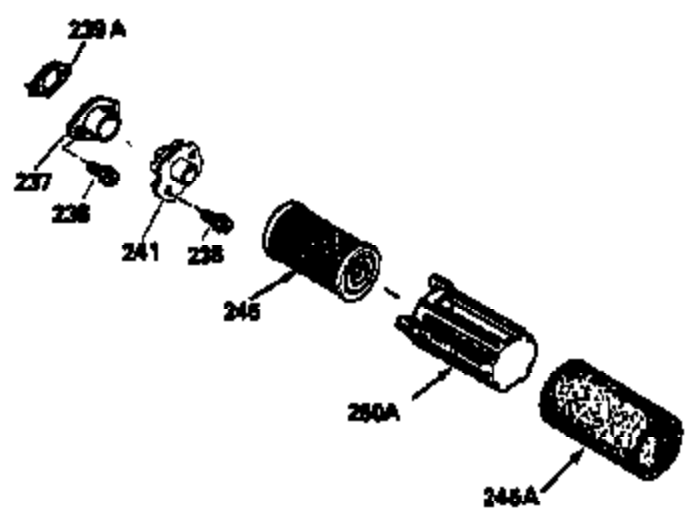
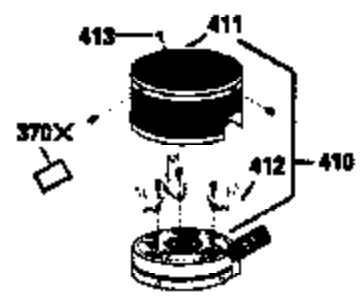
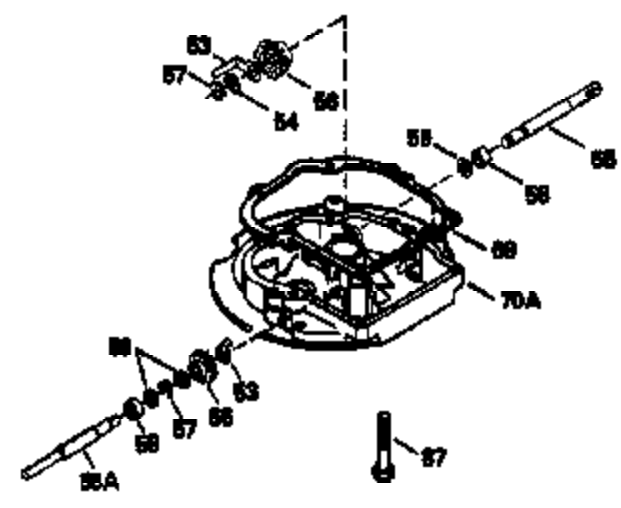
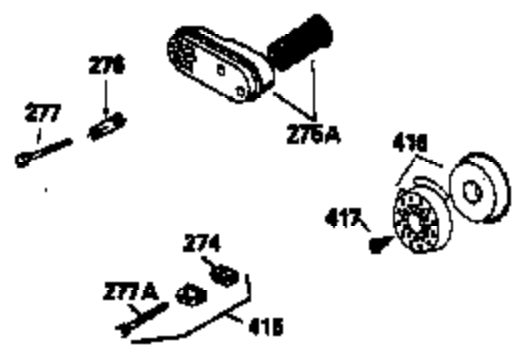
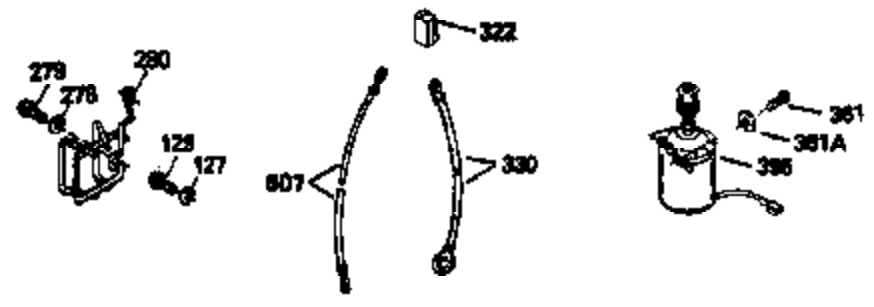
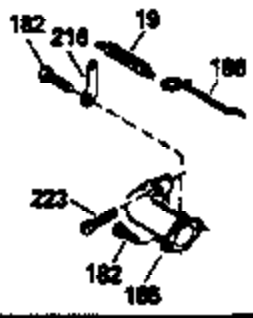
ILLUSTRATION SHOWS TYPICAL PARTS ONLY. ORDER BY PART NUMBER. PARTS NOT LISTED ARE SUPPLIED BY OEM.
VIEW 2 OF 3



| Ref # | Part Number | Qty | Description |
|-------|-------------|-----|--------------------------------|
| | RPMHigh | | 2700 to 3000 |
| | RPMLow | | 2300 to 2600 |
| 92 | 650815 | 1 | Belleville Washer |
| 166 | 35827 | 1 | Engine Shroud |
| 191 | 35039B | 1 | S.E. Brake Bracket (Incl. 195) |
| 238 | 650932 | 2 | Screw, 10-32 x 49/64" |
| 245 | 35066 | 1 | Air Cleaner Filter |
| 263A | 35821 | 1 | Grill Starter |
| 287 | 650884 | 2 | Screw, 8-32 x 1/2" |
| 301 | 35355 | 1 | Fuel Cap |
| 347 | 650898 | 4 | Screw, 10-32 x 27/32" |
| 370A | 35840 | 1 | Name Decal |
| 370 | 35977 | 1 | Instruction Decal |
| 390 | 590637 | 1 | Rewind Starter |

ILLUSTRATION SHOWS TYPICAL PARTS ONLY. ORDER BY PART NUMBER. PARTS NOT LISTED ARE SUPPLIED BY OEM.

VIEW 3 OF 3



| Ref # | Part Number | Qty | Description |
|-------|-------------|-----|----------------------------------|
| | RPMHigh | | 2700 to 3000 |
| | RPMLow | | 2300 to 2600 |
| 19 | 31361 | 1 | Extension Spring |
| 69 | 35261 | 1 | * Mounting Flange Gasket |
| 92 | 650815 | 1 | Belleville Washer |
| 182 | 6201 | 2 | Screw, 1/4-28 x 7/8" |
| 185 | 31384A | 1 | Intake Pipe (Incl. 224) |
| 186 | 34358 | 1 | Governor Link |
| 191 | 35039B | 1 | S.E. Brake Bracket (Incl. 195) |
| 223 | 650451 | 2 | Screw, 1/4-20 x 1" |
| 238 | 650932 | 2 | Screw, 10-32 x 49/64" |
| 241 | 35797 | 1 | Air Cleaner Collar |
| 245 | 35066 | 1 | Air Cleaner Filter |
| 250 | 35986 | 1 | Air Cleaner Cover |
| 276 | 35994 | 1 | Locking Plate |
| 277 | 650957 | 2 | Screw, 1/4-20 x 2-31/32" |
| 322 | 35013 | 1 | Connector Body |
| 370A | 35840 | 1 | Name Decal |
| 395 | 35707 | 1 | Electric Starter Motor (12 Volt) |
| 507 | 35853 | 1 | Starter Wire |