

ILLUSTRATION SHOWS TYPICAL PARTS ONLY. ORDER BY PART NUMBER. PARTS NOT LISTED ARE SUPPLIED BY OEM.

VIEW 1 OF 3

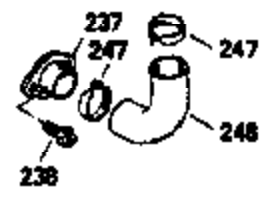
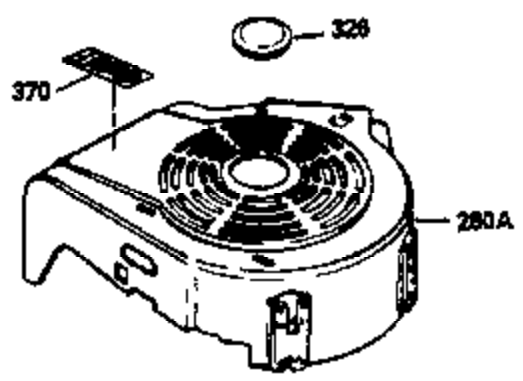
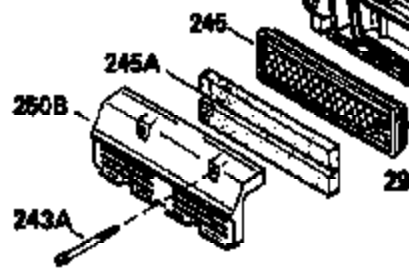
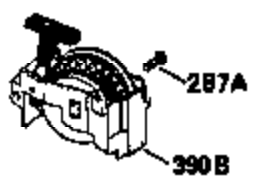
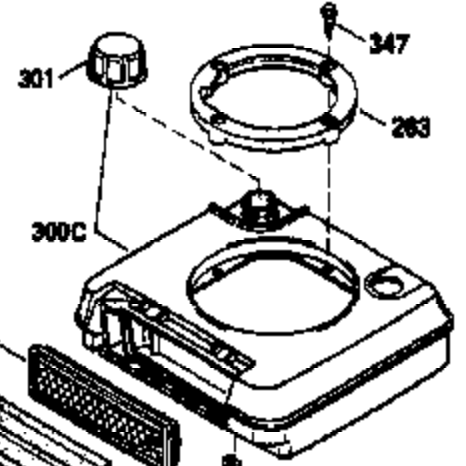
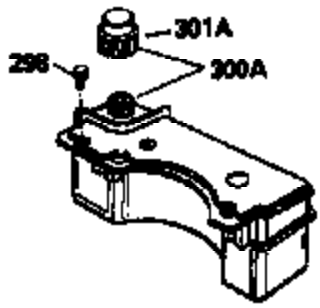
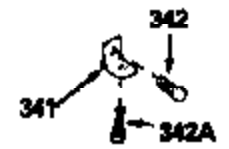
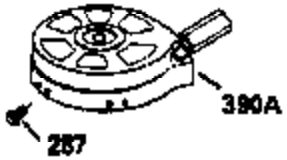
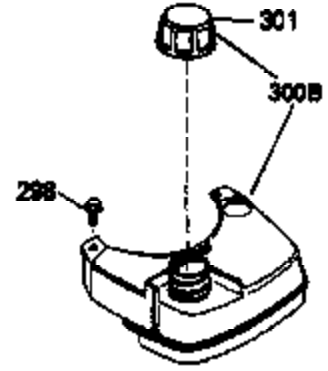
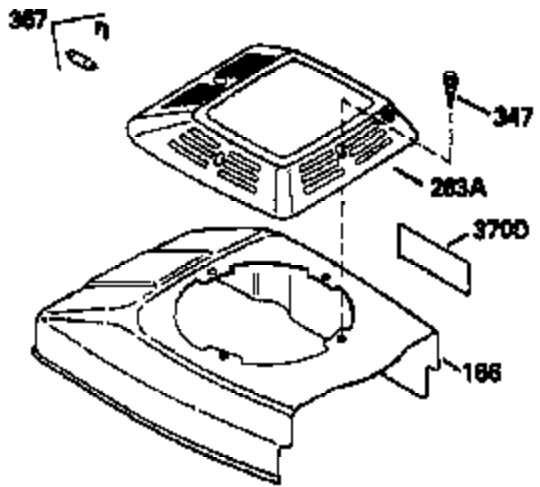


Ref #	Part Number	Qty	Description
1	36478	1	Cylinder (Incl. 2 & 20)
2	26727	2	Dowel Pin
6	33734	1	Breather Element
7	34214A	1	Breather Ass'y. (Incl. 6,8,9,12,12B)
8	33735	1	* Breather Gasket
9	30200	2	Screw, 10-24 x 9/16"
12	33886	1	Breather Tube
12B	34695	1	Breather Tube Elbow
14	28277	1	Washer
15	30589	1	Governor Rod (Incl. 14)
16	31383A	1	Governor Lever
17	31335	1	Governor Lever Clamp
18	650548	1	Screw, 8-32 x 5/16"
19	36281	1	Extension Spring
20	32600	1	Oil Seal
30	35801	1	Crankshaft
40	36073	1	Piston, Pin & Ring Set (Std.)
40	36074	1	Piston, Pin & Ring Set (.010" OS)
40	36075	1	Piston, Pin & Ring Set (.020" OS)
41	36070	1	Piston & Pin Ass'y. (Std.) (Incl. 43)
41	36071	1	Piston & Pin Ass'y. (.010" OS) (Incl. 43)
41	36072	1	Piston & Pin Ass'y. (.020" OS) (Incl. 43)
42	36076	1	Ring Set (Std.)
42	36077	1	Ring Set (.010" OS)
42	36078	1	Ring Set (.020" OS)
43	20381	2	Piston Pin Retaining Ring
45	32875	1	Connecting Rod Ass'y. (Incl. 46)
46	32610A	2	Connecting Rod Bolt
48	27241	2	Valve Lifter
50	35992	1	Camshaft (MCR)
52	29914	1	Oil Pump Ass'y.
69	35261	1	* Mounting Flange Gasket
70	34311D	1	Mounting Flange (Incl. 72 thru 83)
72	30572	1	Oil Drain Plug
73	28833	1	Drain Plug Gasket
75	27897	1	Oil Seal
80	30574A	1	Governor Shaft
81	30590A	1	Washer
82	30591	1	Governor Gear Ass'y. (Incl. 81)
83	30588A	1	Governor Spool
86	650488	6	Screw, 1/4-20 x 1-1/4"
89	611004	1	Flywheel Key
90	611044	1	Flywheel
92	650815	1	Belleville Washer
93	650816	1	Flywheel Nut
100	34443A	1	Solid State Ignition
101	610118	1	Spark Plug Cover
103	650814	2	Screw, Torx T-15, 10-24 x 1"
110	34961	1	Ground Wire
110B	34970	1	Ground Wire
119	36477	1	* Cylinder Head Gasket
120	36476	1	Cylinder Head
125	36471	1	Exhaust Valve (Std.) (Incl. 151)
125	36472	1	Exhaust Valve (1/32" OS) (Incl. 151)
126	29314B	1	Intake Valve (Std.) (Incl. 151)
126	29315C	1	Intake Valve (1/32" OS) (Incl. 151)
130	6021A	8	Screw, 5/16-18 x 1-1/2"
135	35395	1	Resistor Spark Plug (RJ19LM)

Ref #	Part Number	Qty	Description
150	35991	2	Valve Spring
151	31673	2	Valve Spring Cap
169	27234A	1	* Valve Cover Gasket
172	32755	1	Valve Cover
174	30200	2	Screw, 10-24 x 9/16"
178	29752	2	Nut & Lock Washer, 1/4-28
182	6201	2	Screw, 1/4-28 x 7/8"
184	26756	1	* Carburetor To Intake Pipe Gasket
185	31384A	1	Intake Pipe (Incl. 224)
186	34337	1	Governor Link
189	650831	2	Screw, 1/4-20 x 3/8"
190	35831	1	Brake Lever
191	35039B	1	S.E. Brake Bracket (Incl. 195)
192	34966	1	Brake Control Link
193	34965	1	Brake Spring
194	32309	1	Retaining Ring
195	610973	1	Terminal
200	35727	1	Control Bracket (Incl. 202 thru 205)
202	36482	1	Compression Spring
203	31342	1	Compression Spring
204	650549	1	Screw, 5-40 x 7/16"
205	650777	1	Screw, 6-32 x 21/32"
207	34336	1	Throttle Link
209	30200	2	Screw, 10-24 x 9/16"
215	35511	1	Control Knob
223	650451	2	Screw, 1/4-20 x 1"
224	34690A	1	* Intake Pipe Gasket
238	650932	2	Screw, 10-32 x 49/64"
239	34338	1	* Air Cleaner Gasket
245	35066	1	Air Cleaner Filter
260	35826	1	Blower Housing
261	30200	2	Screw, 10-24 x 9/16"
262	650831	2	Screw, 1/4-20 x 1/2"
275B	391020	1	Spark Arrestor Muffler (Optional)(Incl. 277A)
275	36473	1	Muffler (Incl. 277)
277	650988	2	Screw, 1/4-20 x 2-13/64"
285	35000	1	Starter Cup
287	650926	2	Screw, 8-32 x 21/64"
290	34357	1	Fuel Line
292	26460	2	Fuel Line Clamp
300	35586	1	Fuel Tank (Incl. 292 & 301)
301	35355	1	Fuel Cap
305	35819A	1	Oil Fill Tube
306	34265	1	* "O"-Ring
307	35499	1	"O"-Ring
309	650936	1	Screw, 10-32 x 13/32"
310	35822	1	Dipstick
313	34080	1	Spacer
314	650767	2	Screw, 8-32 x 27/64"
315	34990	1	Alternator Coil
370A	35167	1	Instruction Decal
370	36261	1	Instruction Decal
380	632681	1	Carburetor (Incl. 184)
390	590702	1	Rewind Starter (NOTE: This engine could have been built with 590637 starter. Refer to the design of the air intake louvers for part identification. Individual starter parts do not interchange.)

Ref #	Part Number	Qty	Description
400	36481	1	* Gasket Set (Incl. items marked PK i n notes) Incl. part #'s 26756 (1), 27234A (1), 33735 (1), 34265 (1), 34338 (1), 34690A (1), 35261 (1), 36477 (1)

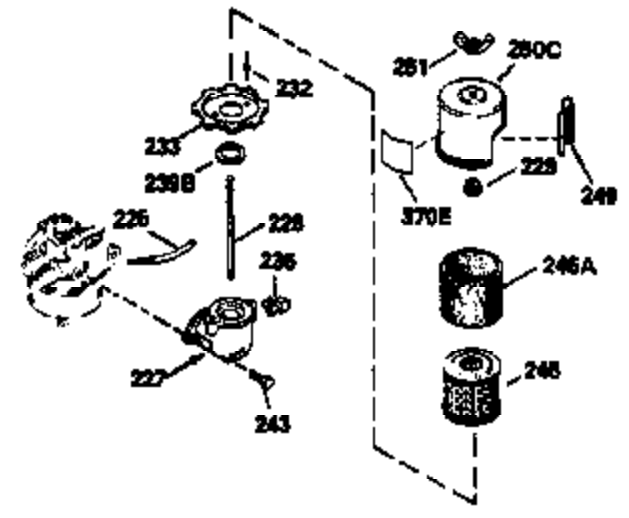
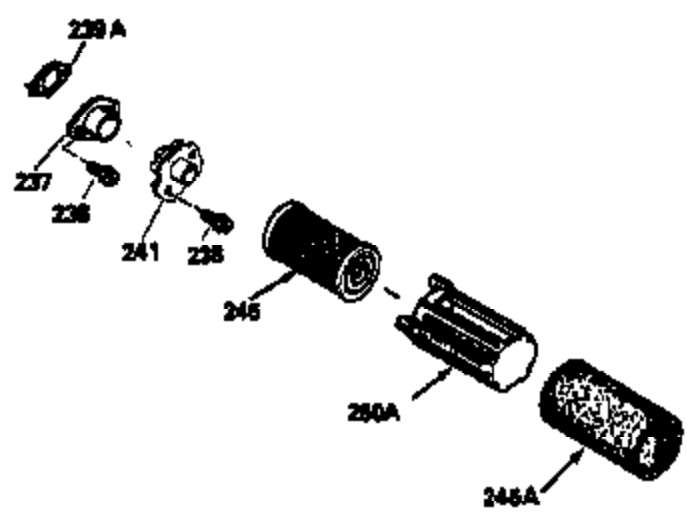
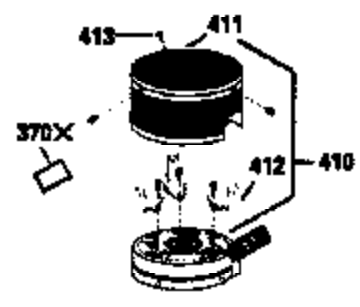
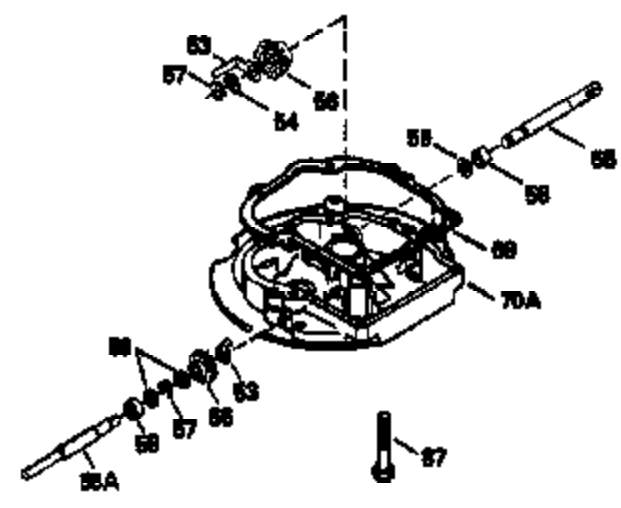
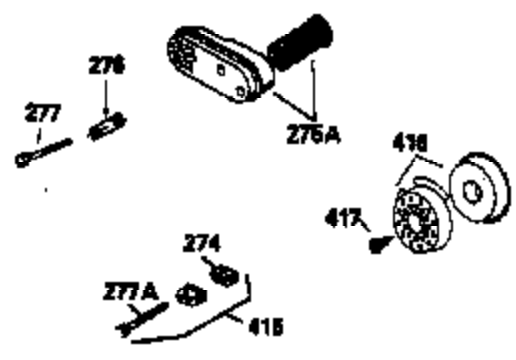
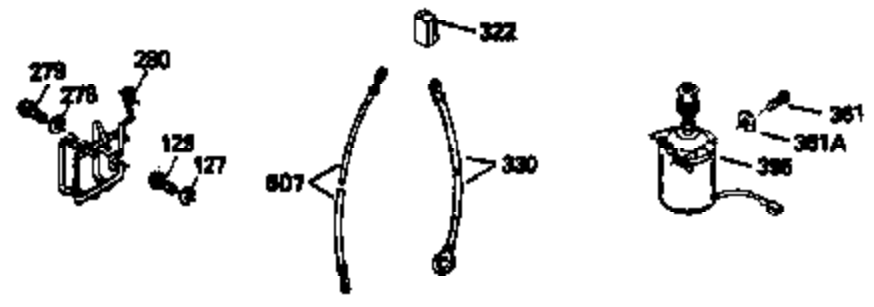
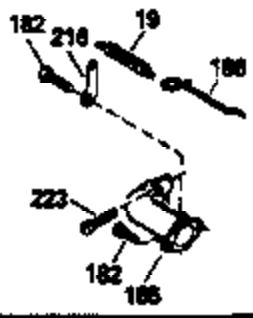
ILLUSTRATION SHOWS TYPICAL PARTS ONLY. ORDER BY PART NUMBER. PARTS NOT LISTED ARE SUPPLIED BY OEM.
VIEW 2 OF 3



Ref #	Part Number	Qty	Description
	92 650815	1	Belleville Washer
110B	34970	1	Ground Wire
	166 35827	1	Engine Shroud
	191 35039B	1	S.E. Brake Bracket (Incl. 195)
	238 650932	2	Screw, 10-32 x 49/64"
	245 35066	1	Air Cleaner Filter
263A	35821	1	Starter Grill
275B	391020	1	Spark Arrestor Muffler (Optional)(Inc l. 277A)
	287 650926	2	Screw, 8-32 x 21/64"
	301 35355	1	Fuel Cap
	347 650898	4	Screw, 10-32 x 27/32"
370A	35167	1	Instruction Decal
	370 36261	1	Instruction Decal
	390 590702	1	Rewind Starter (NOTE: This engine could have been built with 590637 starter. Refer to the design of the air intake louvers for part identification. Individual starter parts do not interchange.)

ILLUSTRATION SHOWS TYPICAL PARTS ONLY. ORDER BY PART NUMBER. PARTS NOT LISTED ARE SUPPLIED BY OEM.

VIEW 3 OF 3



Ref #	Part Number	Qty	Description
	19 36281	1	Extension Spring
	69 35261	1	* Mounting Flange Gasket
	92 650815	1	Belleville Washer
110B	34970	1	Ground Wire
	182 6201	2	Screw, 1/4-28 x 7/8"
	185 31384A	1	Intake Pipe (Incl. 224)
	186 34337	1	Governor Link
	191 35039B	1	S.E. Brake Bracket (Incl. 195)
	223 650451	2	Screw, 1/4-20 x 1"
	238 650932	2	Screw, 10-32 x 49/64"
	241 35797	1	Air Cleaner Collar
	245 35066	1	Air Cleaner Filter
	250 35065	1	Air Cleaner Cover
275B	391020	1	Spark Arrestor Muffler (Optional)(Incl. 277A)
	276 33753	1	Locking Plate (Optional)
277A	650795	2	Screw, 1/4-20 x 2-1/4" (Optional)
	277 650988	2	Screw, 1/4-20 x 2-13/64"
	322 35013	1	Connector Body
370A	35167	1	Instruction Decal
	395 35707	1	Electric Starter Motor (12 Volt)