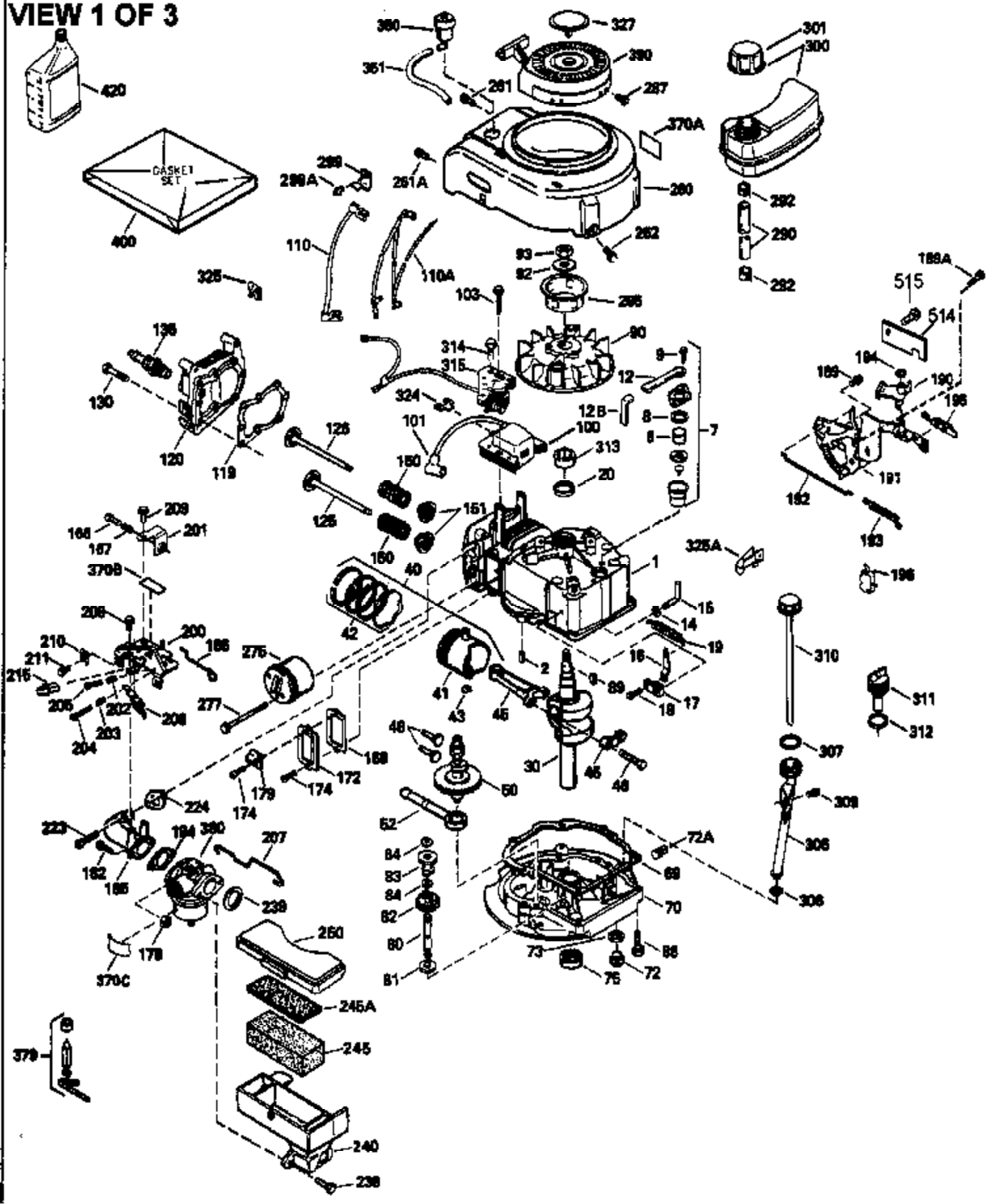


ILLUSTRATION SHOWS TYPICAL PARTS ONLY. ORDER BY PART NUMBER. PARTS NOT LISTED ARE SUPPLIED BY OEM.

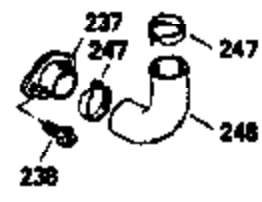
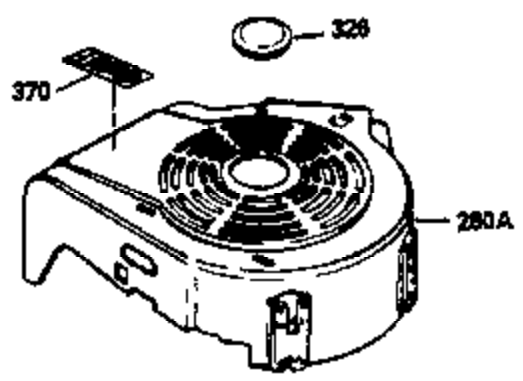
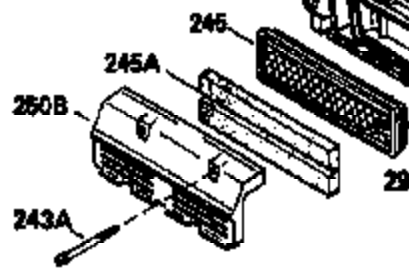
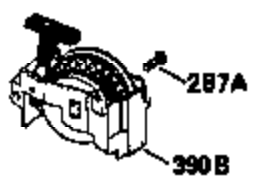
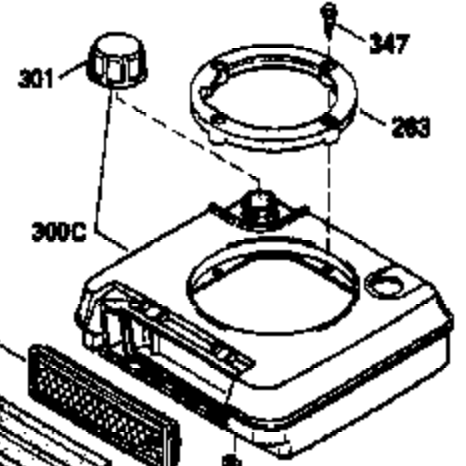
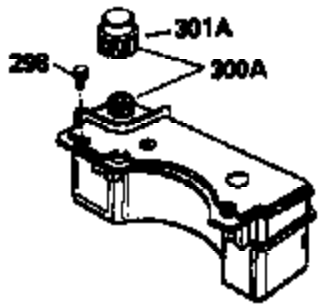
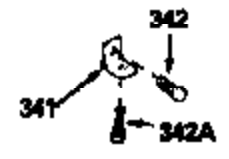
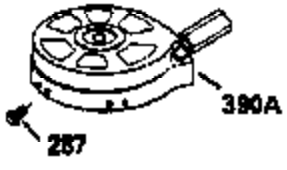
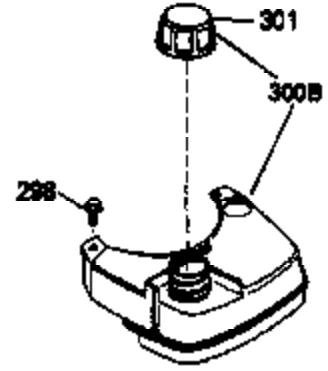
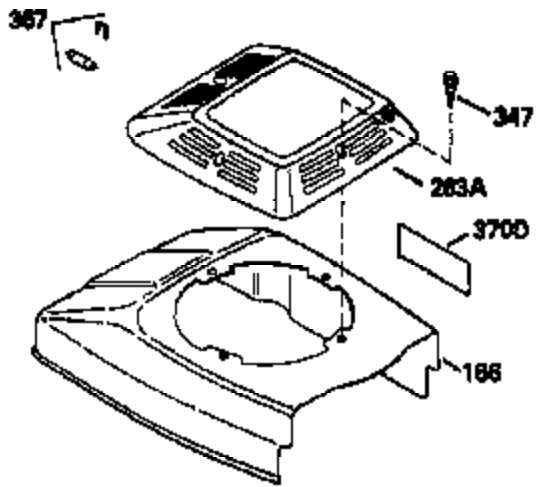
VIEW 1 OF 3



Ref #	Part Number	Qty	Description
	1 36478A	1	Cylinder (Incl. 2,7,20 & 125)
	2 26727	2	Dowel Pin
	6 33734	1	Breather Element
	7 36557	1	Breather Body Ass'y. (Incl. 6 & 12)
	12 36558	1	Breather Cover & Tube (Incl. 12B)
12B	34695	1	Breather Tube Elbow
	14 28277	1	Washer
	15 30589	1	Governor Rod (Incl. 14)
	16 32651	1	Governor Lever
	17 31335	1	Governor Lever Clamp
	18 650548	1	Screw, 8-32 x 5/16"
	19 36281	1	Extension Spring
	20 32600	1	Oil Seal
	30 34477B	1	Crankshaft
	40 36073	1	Piston, Pin & Ring Set (Std.)
	40 36074	1	Piston, Pin & Ring Set (.010" OS)
	40 36075	1	Piston, Pin & Ring Set (.020" OS)
	41 36070	1	Piston & Pin Ass'y. (Std.) (Incl. 43)
	41 36071	1	Piston & Pin Ass'y. (.010" OS) (Incl. 43)
	41 36072	1	Piston & Pin Ass'y. (.020" OS) (Incl. 43)
	42 36076	1	Ring Set (Std.)
	42 36077	1	Ring Set (.010" OS)
	42 36078	1	Ring Set (.020" OS)
	43 20381	2	Piston Pin Retaining Ring
	45 32875	1	Connecting Rod Ass'y. (Incl. 46)
	46 32610A	2	Connecting Rod Bolt
	48 27241	2	Valve Lifter
	50 35992	1	Camshaft (MCR)
	52 29914	1	Oil Pump Ass'y.
	69 35261	1	* Mounting Flange Gasket
	70 34311D	1	Mounting Flange (Incl. 72 thru 83)
	72 30572	1	Oil Drain Plug
	73 28833	1	Drain Plug Gasket
	75 27897	1	Oil Seal
	80 30574A	1	Governor Shaft
	81 30590A	1	Washer
	82 30591	1	Governor Gear Ass'y. (Incl. 81)
	83 30588A	1	Governor Spool
	86 650488	6	Screw, 1/4-20 x 1-1/4"
	89 611004	1	Flywheel Key
	90 611109	1	Flywheel
	92 650815	1	Belleville Washer
	93 650816	1	Flywheel Nut
	100 34443A	1	Solid State Ignition
	101 610118	1	Spark Plug Cover
	103 650814	2	Screw, Torx T-15, 10-24 x 1"
	110 34961	1	Ground Wire
	119 36477	1	* Cylinder Head Gasket
	120 36476	1	Cylinder Head
	125 36471	1	Exhaust Valve (Std.) (Incl. 151)
	125 36472	1	Exhaust Valve (1/32" OS) (Incl. 151)
	126 29314B	1	Intake Valve (Std.) (Incl. 151)
	126 29315C	1	Intake Valve (1/32" OS) (Incl. 151)
	130 6021A	8	Screw, 5/16-18 x 1-1/2"
	135 35395	1	Resistor Spark Plug (RJ19LM)
	150 35991	2	Valve Spring
	151 31673	2	Valve Spring Cap
	169 27234A	1	* Valve Cover Gasket

Ref #	Part Number	Qty	Description
172	32755	1	Valve Cover
174	30200	2	Screw, 10-24 x 9/16"
178	29752	2	Nut & Lock Washer, 1/4-28
182	6201	2	Screw, 1/4-28 x 7/8"
184	26756	1	* Carburetor To Intake Pipe Gasket
185	36544	1	Intake Pipe (Incl. 224)
186	34337	1	Governor Link
189	650839	2	Screw, 1/4-20 x 3/8"
191	36559	1	S.E. Brake Bracket (Incl. 195)
195	610973	1	Terminal
200	35727	1	Control Bracket (Incl. 202 thru 205)
202	36482	1	Compression Spring
203	31342	1	Compression Spring
204	650549	1	Screw, 5-40 x 7/16"
205	650777	1	Screw, 6-32 x 21/32"
207	34336	1	Throttle Link
209	30200	2	Screw, 10-24 x 9/16"
215	35511	1	Control Knob
223	650451	2	Screw, 1/4-20 x 1"
224	34690A	1	* Intake Pipe Gasket
238	650932	2	Screw, 10-32 x 49/64"
239	34338	1	* Air Cleaner Gasket
245	35066	1	Air Cleaner Filter
260	35826	1	Blower Housing
261	30200	2	Screw, 10-24 x 9/16"
262	650831	2	Screw, 1/4-20 x 1/2"
275	36473	1	Muffler (Incl. 277)
277	650988	2	Screw, 1/4-20 x 2-5/16"
285	35000A	1	Starter Cup
287	650926	2	Screw, 8-32 x 21/64"
290	34357	1	Fuel Line
292	26460	2	Fuel Line Clamp
300	35586	1	Fuel Tank (Incl. 292 & 301)
301	35355	1	Fuel Cap
305	35819A	1	Oil Fill Tube
306	34265	1	* "O"-Ring
307	35499	1	"O"-Ring
309	651014	1	Screw, 10-32 x 7/16"
310	35822	1	Dipstick
313	34080	1	Spacer
370A	36261	1	Lubrication Decal
370B	35167	1	Control Decal
380	632681	1	Carburetor (Incl. 184)
390	590702	1	Rewind Starter (NOTE: This engine could have been built with 590637 starter. Refer to the design of the air intake louvers for part identification. Individual starter parts do not interchange.)
400	36481	1	* Gasket Set (Incl. items marked PK in notes) Incl. part #'s 26756 (1), 27234A (1), 33735 (1), 34265 (1), 34338 (1), 34690A (1), 35261 (1), 36477 (1)

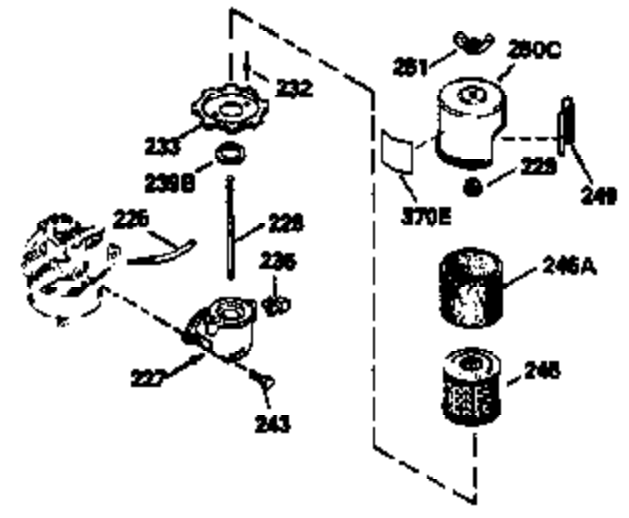
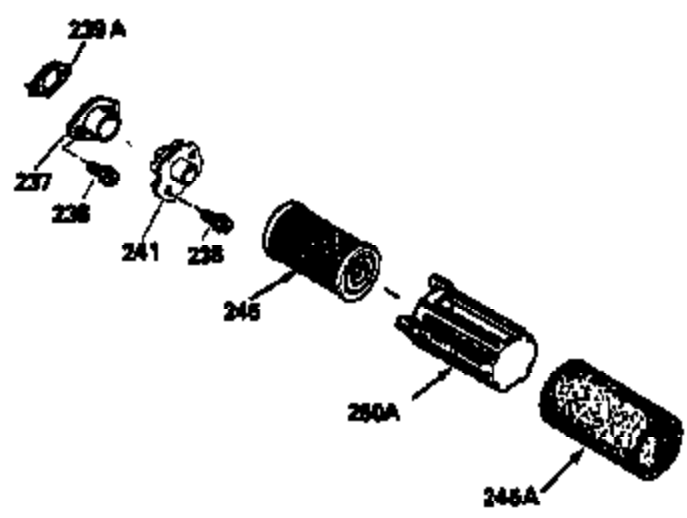
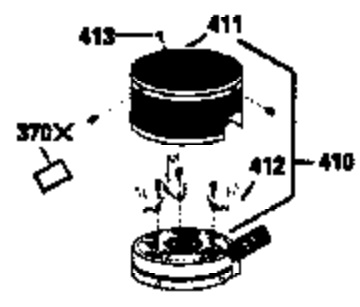
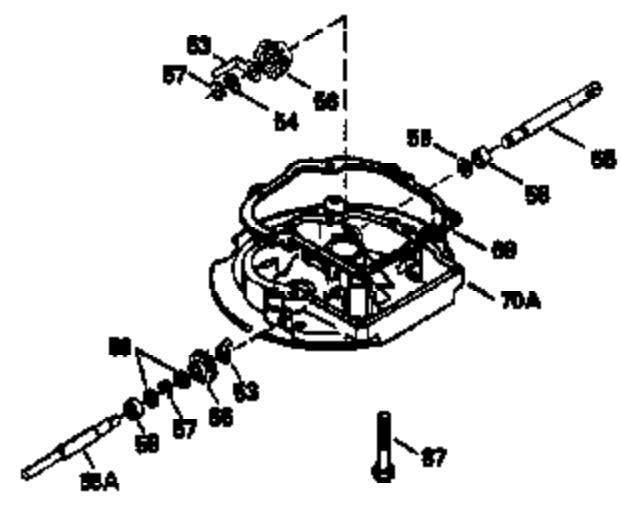
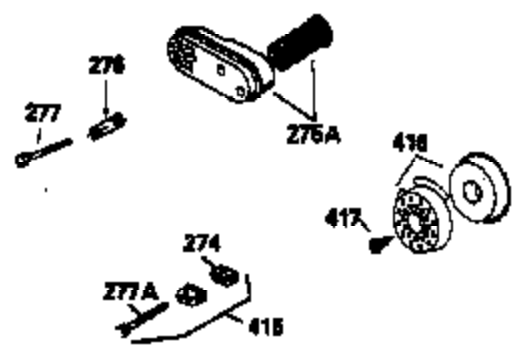
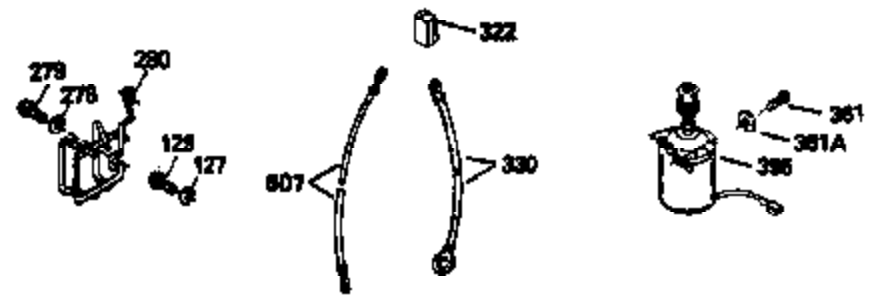
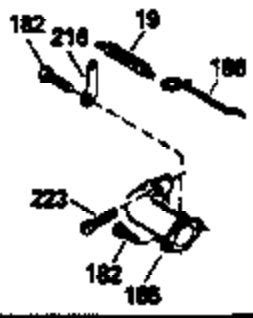
ILLUSTRATION SHOWS TYPICAL PARTS ONLY. ORDER BY PART NUMBER. PARTS NOT LISTED ARE SUPPLIED BY OEM.
VIEW 2 OF 3



Ref #	Part Number	Qty	Description
	92 650815	1	Belleville Washer
	166 35827	1	Engine Shroud
	191 36559	1	S.E. Brake Bracket (Incl. 195)
	238 650932	2	Screw, 10-32 x 49/64"
	245 35066	1	Air Cleaner Filter
	263A 35821	1	Starter Grill
	287 650926	2	Screw, 8-32 x 21/64"
	301 35355	1	Fuel Cap
	347 650898	4	Screw, 10-32 x 27/32"
	370A 36261	1	Lubrication Decal
	390 590702	1	Rewind Starter (NOTE: This engine could have been built with 590637 starter. Refer to the design of the air intake louvers for part identification. Individual starter parts do not interchange.)

ILLUSTRATION SHOWS TYPICAL PARTS ONLY. ORDER BY PART NUMBER. PARTS NOT LISTED ARE SUPPLIED BY OEM.

VIEW 3 OF 3



Ref #	Part Number	Qty	Description
	19 36281	1	Extension Spring
	69 35261	1	* Mounting Flange Gasket
	92 650815	1	Belleville Washer
	182 6201	2	Screw, 1/4-28 x 7/8"
	185 36544	1	Intake Pipe (Incl. 224)
	186 34337	1	Governor Link
	191 36559	1	S.E. Brake Bracket (Incl. 195)
	223 650451	2	Screw, 1/4-20 x 1"
	238 650932	2	Screw, 10-32 x 49/64"
	241 35797	1	Air Cleaner Collar
	245 35066	1	Air Cleaner Filter
	250 35065	1	Air Cleaner Cover
	277 650988	2	Screw, 1/4-20 x 2-5/16"
370A	36261	1	Lubrication Decal
	416 36085	1	Spark Arrestor Kit (Incl. 417)(Optional)
	417 650760	1	Screw, 8-32 x 3/8" (Optional)