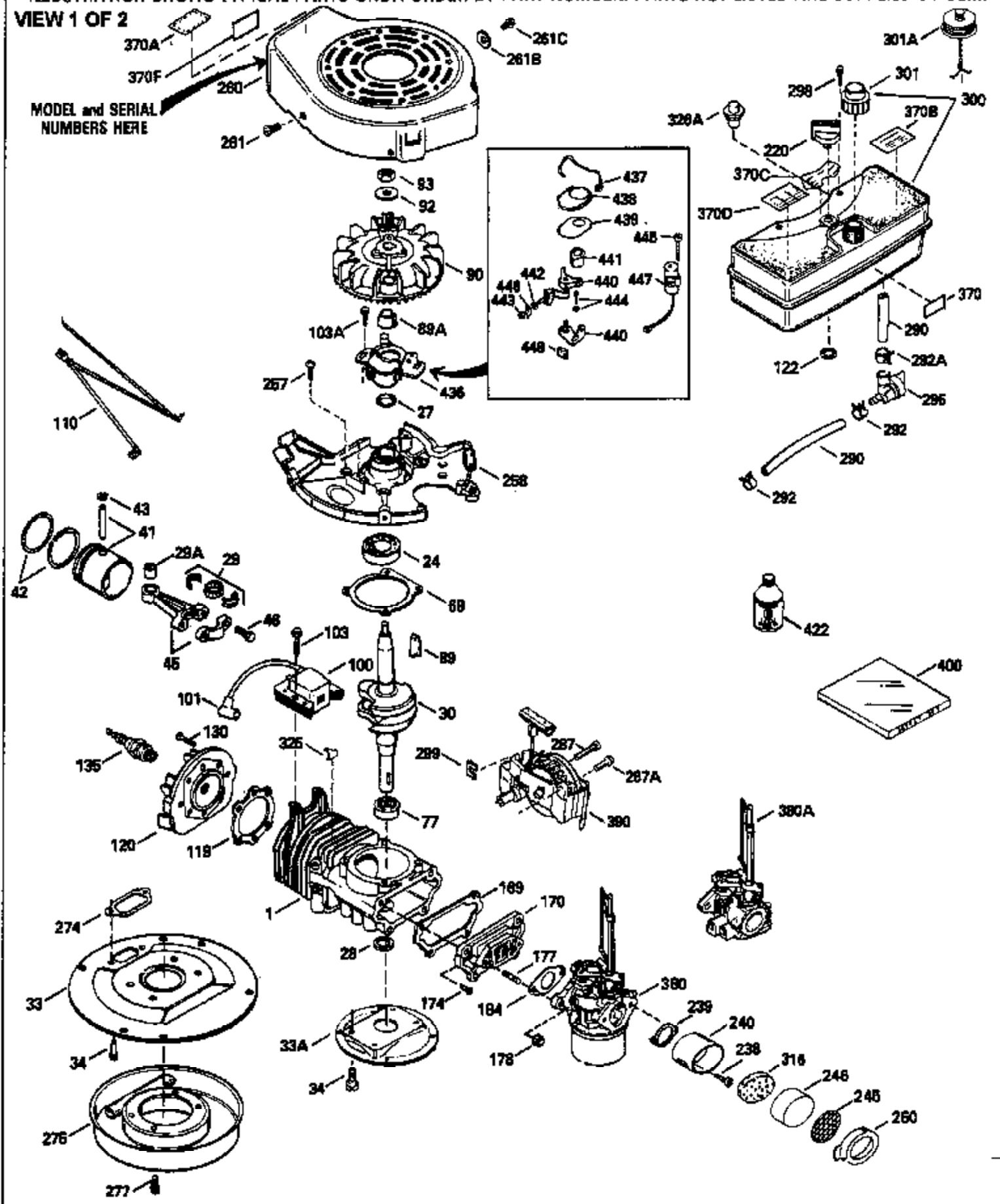


ILLUSTRATION SHOWS TYPICAL PARTS ONLY. ORDER BY PART NUMBER. PARTS NOT LISTED ARE SUPPLIED BY OEM.

VIEW 1 OF 2

MODEL and SERIAL  
NUMBERS HERE

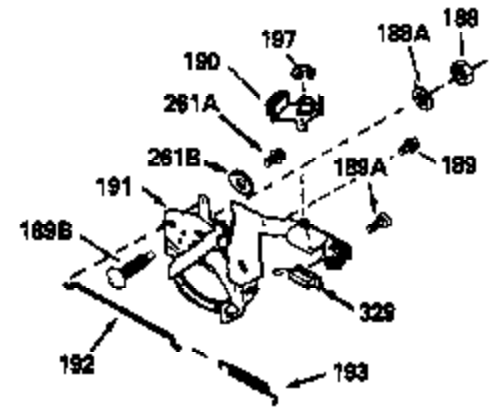
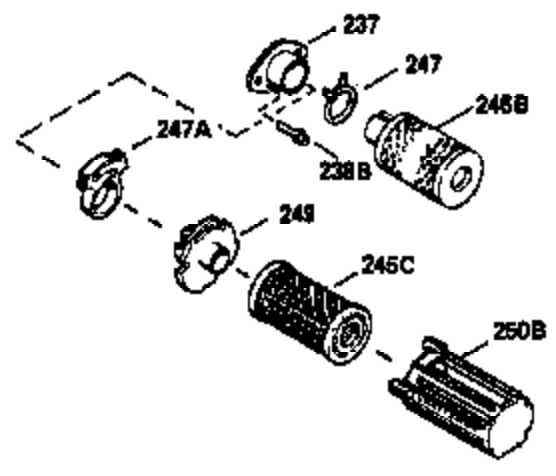
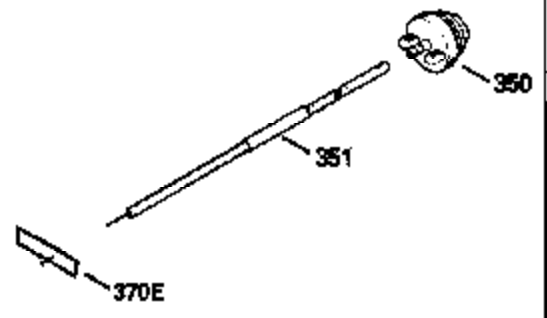
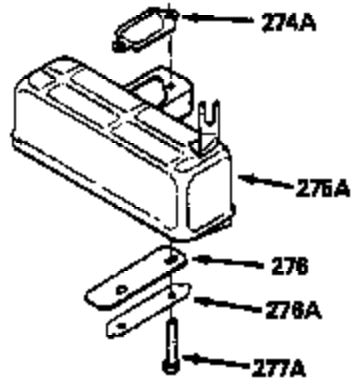
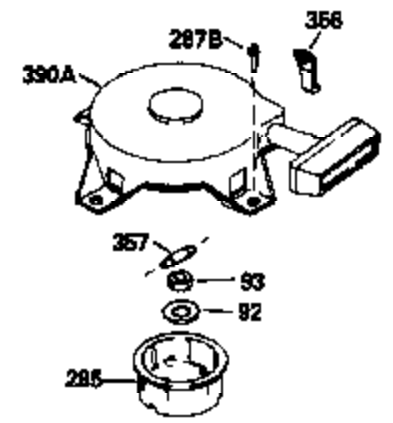
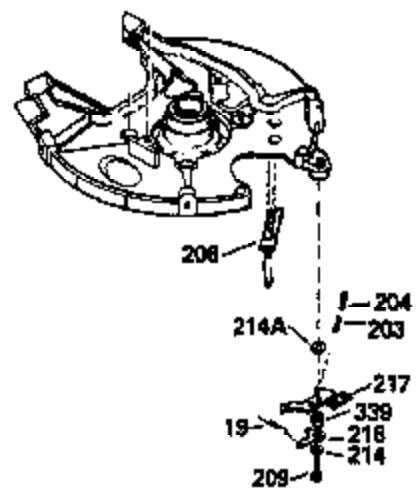
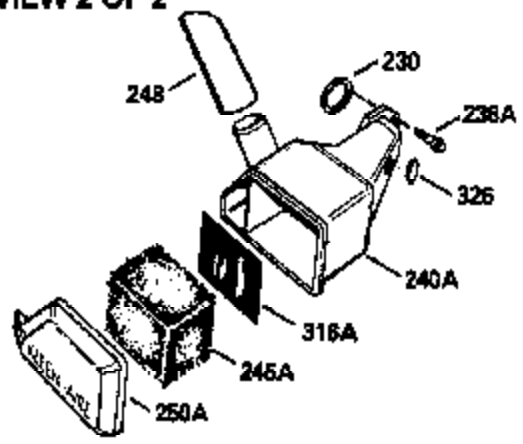


| Ref # | Part Number | Qty | Description  |
|-------|-------------|-----|--|
|       | 1           |     | Cylinder (Order s/b if replacement is req.)  |
| 24    | 530110      |     | Ball Bearing   |
| 27    | 510319      |     | Oil Seal   |
| 28    | 28427       |     | Oil Seal   |
| 29A   | 530104A     |     | Cartridge Bearing  |
| 29    | 530150      |     | Needle Bearing & Liner Set (37 Needle s)   |
| 30    | 290553      |     | Crankshaft   |
| 30    | 330177      |     | Adapter Plate (8" B.C.)  |
| 34    | 650797      |     | Screw, 5/16-18 x 1/2"  |
| 41    | 310272A     |     | Piston & Pin Ass'y. (.010" OS)   |
| 41    | 310283A     |     | Piston & Pin Ass'y. (Std.)(Incl. 43)   |
| 42    | 310190      |     | Ring Set (Std.)  |
| 42    | 310273      |     | Ring Set (.010" OS)  |
| 43    | 310167      |     | Piston Pin Retaining Ring  |
| 45    | 310235B     |     | Connecting Rod Ass'y. (Incl. 29, 29A & 46)   |
| 46    | 650633      |     | Connecting Rod Bolt  |
| 69    | 510292A     |     | * Cylinder Cover Gasket  |
| 77    | 780097      |     | Cartridge Bearing  |
| 89A   | 611032      |     | Adapter Sleeve   |
| 90    | 611046A     |     | Flywheel   |
| 92    | 650815      |     | Belleville Washer  |
| 93    | 650390      |     | Flywheel Nut   |
| 100   | 34443A      |     | Solid State Ignition (Incl. 101)   |
| 100   | 730207      |     | Magneto to Solid State Conversion Kit (Includes solid state module, solid state flywheel key, and instructions.)(Use as required on external ignition engines only.) |
| 101   | 610118      |     | Spark Plug Cover   |
| 103   | 650814      |     | Screw, Torx T-15, 10-24 x 1"   |
| 110   | 611031      |     | Ground Wire  |
| 119   | 510274A     |     | * Cylinder Head Gasket   |
| 120   | 250240B     |     | Cylinder Head  |
| 122   | 570641      |     | Retaining Ring   |
| 130   | 650477      |     | Screw, Torx T-30, 1/4-20 x 3/4"  |
| 135   | 33636       |     | Resistor Spark Plug  |
| 169   | 510323A     |     | * Cover Plate Gasket   |
| 170   | 470152A     |     | Reed & Cover Plate (Incl. 178)   |
| 174   | 650579      |     | Screw, Torx T-25, 10-24 x 1/2"   |
| 178   | 650456      |     | Nut, 1/4-20  |
| 184   | 510110A     |     | * Carburetor Gasket  |
| 220   | 570640      |     | Control Knob   |
| 257   | 650561      |     | Screw, 1/4-20 x 5/8"   |
| 258   | 350408      |     | Blower Housing Base (Incl. 27)   |
| 260   | 350403      |     | Blower Housing   |
| 261   | 650958      |     | Screw, 1/4-20 x 7/16"  |
| 261B  | 650854      |     | Washer   |
| 274   | 510314      |     | Exhaust Gasket   |
| 275   | 390300      |     | Muffler  |
| 277   | 650911      |     | Screw, Torx T-30, 1/4-20 x 5/8"  |
| 287   | 30646       |     | Screw, 1/4-20 x 1-3/8"   |
| 287A  | 650561      |     | Screw, 1/4-20 x 5/8"   |
| 290   | 29774       |     | Fuel Line  |
| 292   | 26460       |     | Fuel Line Clamp  |
| 298   | 650803      |     | Screw, 10-32 x 7/8"  |
| 300   | 410241      |     | Fuel Tank (Incl. 301)  |
| 301   | 410238      |     | Fuel Cap   |
| 380   | 632335      |     | Carburetor (Incl. 184) (Refer to Division 5, Section A, page A1-42 or Fiche 23B,Grid F-13 for breakdown)   |

| Ref # | Part Number | Qty | Description  |
|-------|-------------|-----|--|
| 390   | 590552      |     | Side Mount Rewind Starter (Refer to Division 5, Section C, page 32 or Fiche 23B, Grid G-13for breakdown) |
| 400   | 510295A     |     | * Gasket Set (Incl. items marked *)  |
| 422   | 730227A     |     | 2-Cycle Oil (8 oz.)  |

ILLUSTRATION SHOWS TYPICAL PARTS ONLY. ORDER BY PART NUMBER. PARTS NOT LISTED ARE SUPPLIED BY OEM.

VIEW 2 OF 2



| Ref # | Part Number | Qty | Description                                |
|-------|-------------|-----|--|
|       | 92 650815   |     | Belleville Washer                          |
|       | 93 650390   |     | Flywheel Nut                               |
| 189A  | 650911      |     | Screw, Torx T-30, 1/4-20 x 5/8" (As r eq.) |
| 230   | 34338       |     | Air Cleaner Gasket                         |
| 238A  | 650806      |     | Screw, 10-32 x 5/8"                        |
| 240A  | 450234      |     | Air Cleaner Body                           |
| 245A  | 450236      |     | Air Cleaner Element                        |
| 248   | 33008       |     | Air Cleaner Tube                           |
| 250A  | 33007       |     | Air Cleaner Cover                          |
| 261B  | 650854      |     | Washer                                     |
| 316A  | 450235      |     | Mesh Screen                                |
| 326   | 450237      |     | Button Plug                                |