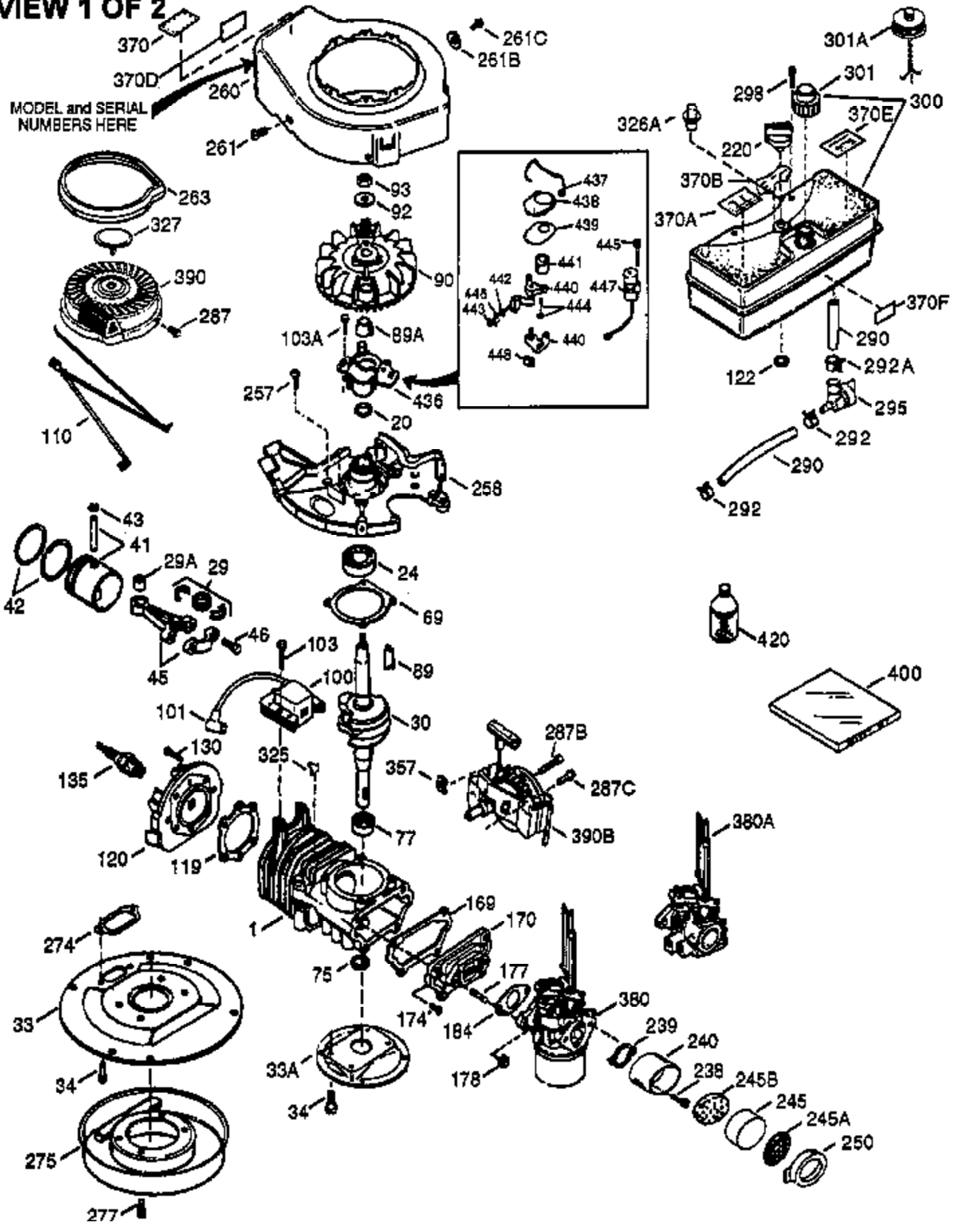


ILLUSTRATION SHOWS TYPICAL PARTS ONLY. ORDER BY PART NUMBER. PARTS NOT LISTED ARE SUPPLIED BY OEM.

VIEW 1 OF 2

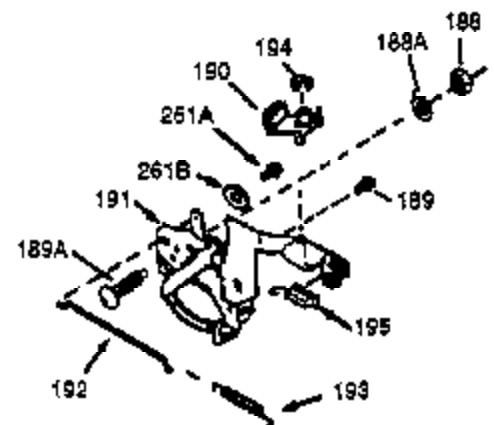
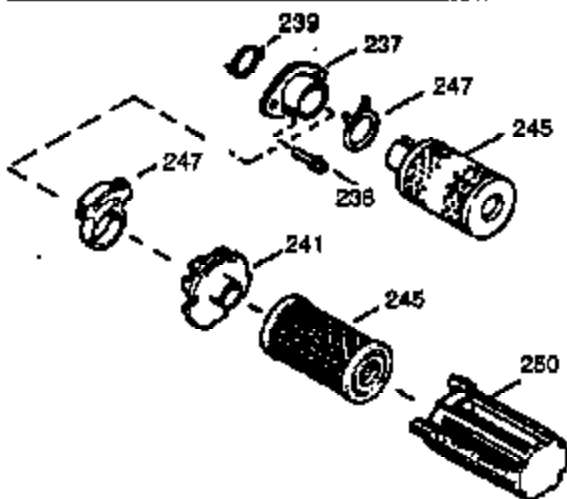
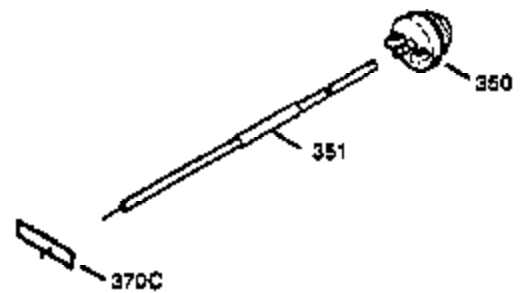
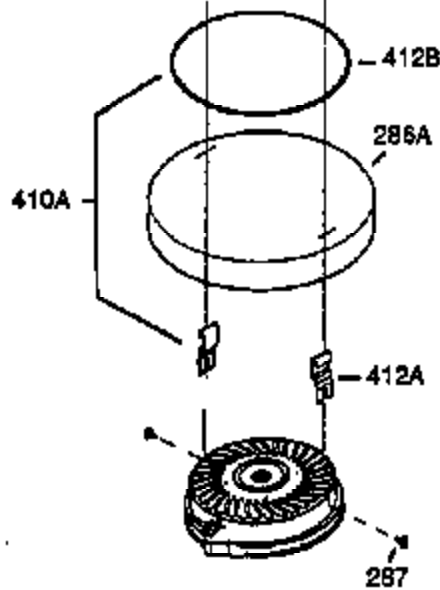
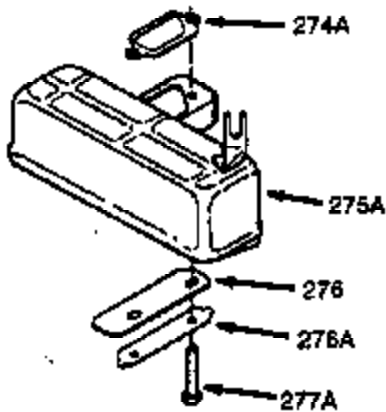
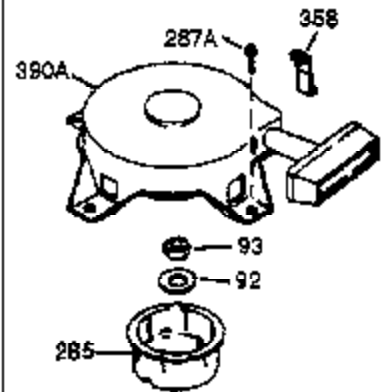
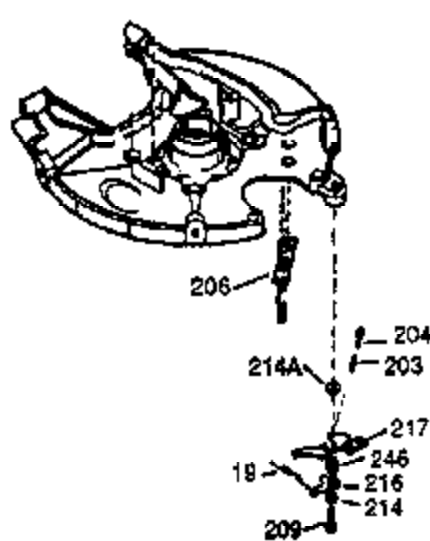
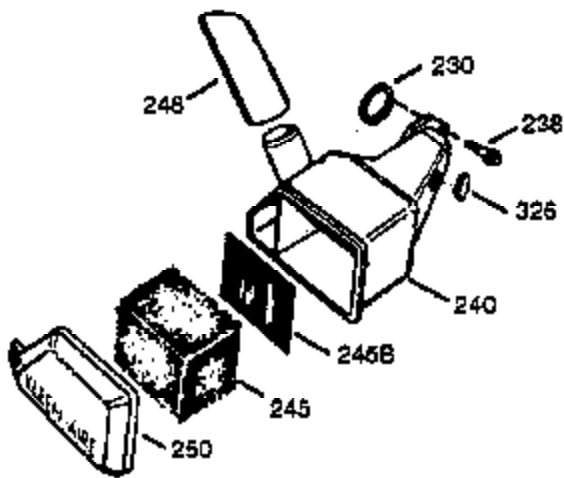


| Ref # | Part Number | Qty | Description |
|-------|-------------|-----|---|
| | 1 0 | 1 | Cylinder (Order S/B if replacement is needed) |
| | 20 510319 | 1 | Oil Seal |
| | 24 530110 | 1 | Ball Bearing |
| | 29A 530104A | 1 | Cartridge Bearing |
| | 29 530150 | 1 | Needle Bearing & Liner Set (37 Needle s) |
| | 30 290553 | 1 | Crankshaft |
| | 33 330177 | 1 | Adapter Plate |
| | 34 650797 | 4 | Screw, 5/16-18 x 1/2" |
| | 41 310283A | 1 | Piston & Pin Ass'y. (Incl. 43) |
| | 42 310289 | 2 | Ring Set |
| | 43 310167 | 2 | Piston Pin Retaining Ring |
| | 45 310235B | 1 | Connecting Rod Ass'y. (Incl. 29, 29A & 46) |
| | 46 650633 | 4 | Connecting Rod Bolt |
| | 69 510292A | 1 | * Cylinder Cover Gasket |
| | 75 28427 | 1 | Oil Seal |
| | 77 780097 | 1 | Cartridge Bearing |
| | 89A 611032 | 1 | Adapter Sleeve |
| | 90 611112 | 1 | Flywheel |
| | 92 650815 | 1 | Belleville Washer |
| | 93 650390 | 1 | Flywheel Nut |
| | 100 34443B | 1 | Solid State Ignition |
| | 101 610118 | 1 | Spark Plug Cover |
| | 103 651007 | 2 | Screw, Torx T-15, 10-24 x 15/16" |
| | 110 611031 | 1 | Ground Wire |
| | 119 510274A | 1 | * Cylinder Head Gasket |
| | 120 250240B | 1 | Cylinder Head |
| | 122 570641 | 1 | Retaining Ring |
| | 130 650477 | 6 | Screw, Torx T-30, 1/4-20 x 3/4" |
| | 135 33636 | 1 | Resistor Spark Plug (RJ17LM) |
| | 169 510323A | 1 | * Cover Plate Gasket |
| | 170 470152A | 1 | Reed & Cover Plate (Incl. 178) |
| | 174 650579 | 4 | Screw, Torx T-25, 10-24 x 1/2" |
| | 178 29752 | 2 | Nut & Lock Washer, 1/4-28 |
| | 184 510110A | 1 | * Carburetor Gasket |
| | 220 570640 | 1 | Control Knob |
| | 238 650806 | 2 | Screw, 10-32 x 5/8" |
| | 240 450234 | 1 | Air Cleaner Body |
| | 245 450236 | 1 | Air Cleaner Filter |
| | 245B 450235 | 1 | Air Cleaner Filter |
| | 250 33007 | 1 | Air Cleaner Cover |
| | 257 650911 | 4 | Screw, Torx T-30, 1/4-20 x 5/8" |
| | 258 350409 | 1 | Blower Housing Base (Incl. 20) |
| | 260 350457 | 1 | Blower Housing |
| | 261 650958 | 3 | Screw, 1/4-20 x 7/16" |
| | 261B 650854 | 1 | Washer |
| | 261C 650773 | 1 | Screw, 1/4-20 x 1/2" |
| | 263 36214 | 1 | Trim Ring |
| | 274 510314A | 1 | Exhaust Gasket |
| | 275 390300 | 1 | Muffler |
| | 277 650911 | 2 | Screw, Torx T-30, 1/4-20 x 5/8" |
| | 287 650926 | 4 | Screw, 8-32 x 21/64" |
| | 290 34357 | 1 | Fuel Line |
| | 292 26460 | 2 | Fuel Line Clamp |
| | 298 650803 | 2 | Screw, 10-32 x 7/8" |
| | 300 410241 | 1 | Fuel Tank (Incl. 301) |
| | 301 410238 | 1 | Fuel Cap |
| | 370D 550213 | 1 | Warning Decal |
| | 370B 550212 | 1 | Fuel Mix Decal |

| Ref # | Part Number | Qty | Description |
|-------|-------------|-----|--|
| 370A | 550214 | 1 | Choke Decal |
| 370K | 36695 | 1 | Starter Decal |
| 380 | 632335 | 1 | Carburetor (Incl. 184) |
| 390 | 590732 | 1 | Rewind Starter (NOTE: This engine could have been built with 590738 starter.) |
| 400 | 510295A | 1 | * Gasket Set (Incl. items marked PK in notes) (Incl. one each of part #'s: 510110A, 510217A, 510227A, 510268A, 510270A, 510274A, 510292A, 510323A) |
| 420 | 730227A | 1 | 2-Cycle Oil (8 oz.) |

ILLUSTRATION SHOWS TYPICAL PARTS ONLY. ORDER BY PART NUMBER. PARTS NOT LISTED ARE SUPPLIED BY OEM.

VIEW 2 OF 2



| Ref # | Part Number | Qty | Description |
|-------|-------------|-----|---------------------|
| 92 | 650815 | 1 | Belleville Washer |
| 93 | 650390 | 1 | Flywheel Nut |
| 230 | 34338 | 1 | Air Cleaner Gasket |
| 238 | 650806 | 2 | Screw, 10-32 x 5/8" |
| 240 | 450234 | 1 | Air Cleaner Body |
| 245B | 450235 | 1 | Air Cleaner Filter |
| 245 | 450236 | 1 | Air Cleaner Filter |
| 248 | 33008 | 1 | Air Cleaner Tube |
| 250 | 33007 | 1 | Air Cleaner Cover |
| 261B | 650854 | 1 | Washer |
| 285 | 590551 | 1 | Starter Cup |
| 326 | 450237 | 1 | Plug |
| 370K | 36695 | 1 | Starter Decal |