

ILLUSTRATION SHOWS TYPICAL PARTS ONLY. ORDER BY PART NUMBER. PARTS NOT LISTED ARE SUPPLIED BY OEM.

### VIEW 1 OF 2

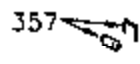
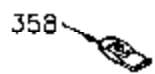
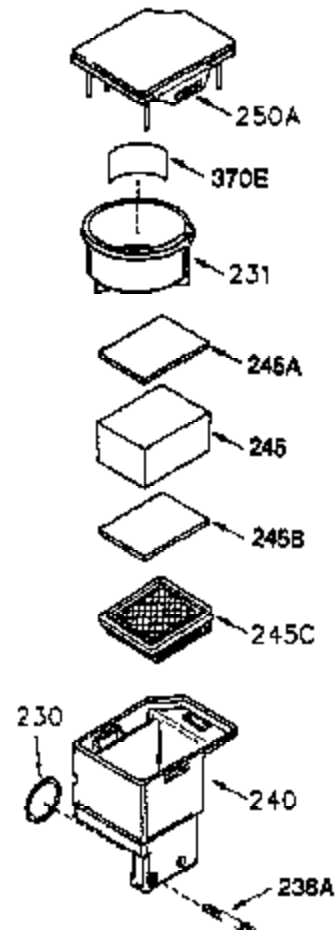
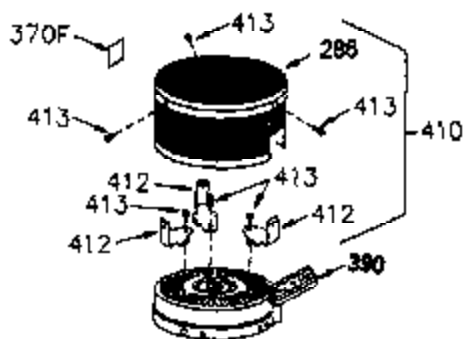
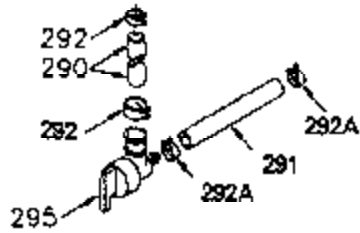


| Ref # | Part Number | Qty | Description                               |
|-------|-------------|-----|---|
|       | 1 250288    | 1   | Cylinder (Incl. 67, 75A, 105, 106 & 1 38) |
| 16A   | 490304      | 1   | Governor Lever                            |
| 16    | 490306      | 1   | Governor Lever                            |
| 19A   | 490307      | 1   | Backlash Spring                           |
| 19    | 490308      | 1   | Extension Spring                          |
| 20    | 510340      | 1   | Oil Seal                                  |
| 21    | 570673      | 3   | Ball Bearing                              |
| 22    | 510338      | 1   | Slide Ring                                |
| 23    | 530158      | 1   | Ball Bearing                              |
| 24    | 530161      | 1   | Ball Bearing                              |
| 27    | 530159      | 1   | Bearing Retainer                          |
| 29    | 530164      | 1   | Bearing Strip (31 Needles)                |
| 30    | 290641      | 1   | Crankshaft                                |
| 33    | 330179      | 1   | Adapter Plate                             |
| 34    | 792067      | 3   | Screw, 5/16-18 x 1"                       |
| 35A   | 650961      | 2   | Screw, 4-40 x 1/4"                        |
| 35    | 29826       | 1   | Screw, 10-32 x 3/4"                       |
| 37    | 29216       | 1   | Lock Nut, 10-32                           |
| 39    | 310279B     | 1   | Piston & Rod Ass'y. (Incl. 29 & 42)       |
| 42    | 310239      | 2   | Ring Set                                  |
| 67    | 430233      | 1   | Fuel Filter                               |
| 75    | 510339      | 1   | Oil Seal                                  |
| 75A   | 510337      | 1   | Oil Seal                                  |
| 80    | 490305      | 1   | Governor Shaft                            |
| 89    | 611107      | 1   | Flywheel Key                              |
| 90    | 611109      | 1   | Flywheel                                  |
| 92    | 650815      | 1   | Belleville Washer                         |
| 93    | 650816      | 1   | Flywheel Nut                              |
| 100   | 34443A      | 1   | Solid State Ignition                      |
| 101   | 610118      | 1   | Spark Plug Cover                          |
| 103   | 650814      | 2   | Screw, Torx T-15, 10-24 x 1"              |
| 105   | 650892      | 2   | Screw, 5/16-18 x 2-3/16"                  |
| 106   | 650891      | 2   | Screw, 5/16-18 x 1-5/8"                   |
| 110   | 611106      | 1   | Ground Wire                               |
| 135   | 35395       | 1   | Resistor Spark Plug (RJ19LM)              |
| 138   | 570683      | 2   | Port Cover                                |
| 164   | 510341      | 1   | "O" Ring                                  |
| 165   | 510342      | 1   | "O" Ring                                  |
| 182   | 792067      | 2   | Screw, 5/16-18 x 1"                       |
| 184A  | 27110       | 2   | Washer                                    |
| 185   | 570674      | 1   | Intake Pipe (Incl. 164 & 165)             |
| 186   | 490309      | 1   | Governor Link                             |
| 190   | 570688      | 1   | Brake Lever                               |
| 191   | 570677      | 1   | Brake Bracket Ass'y.                      |
| 191A  | 570678A     | 1   | Brake Control Lever                       |
| 192   | 490312      | 1   | Brake Control Link                        |
| 193   | 490311      | 1   | Brake Spring                              |
| 195   | 610973      | 1   | Terminal                                  |
| 197   | 650896      | 1   | Screw, 1/4-20 x 13/16"                    |
| 197A  | 650897      | 1   | Screw, 1/4-20 x 13/32"                    |
| 198   | 490313      | 1   | Brake Control Lever Spring                |
| 200   | 570675A     | 1   | Control Bracket (Incl. 202 thru 206)      |
| 202   | 32924       | 1   | Compression Spring                        |
| 203   | 31342       | 1   | Compression Spring                        |
| 204   | 650549      | 1   | Screw, 5-40 x 7/16"                       |
| 205   | 650606      | 1   | Screw, 10-32 x 1-1/8"                     |
| 206   | 610973      | 1   | Terminal                                  |
| 209A  | 650867      | 2   | Screw, 10-24 x 1/2"                       |

| Ref # | Part Number | Qty | Description   |
|-------|-------------|-----|---|
| 209   | 650735      | 1   | Screw, 10-24 x 3/8"   |
| 210   | 27793       | 1   | Conduit Clip  |
| 211   | 650837      | 1   | Screw, 10-32 x 1/4"   |
| 226   | 730575A     | 1   | Air Cleaner Kit (Incl. items marked # # sign)   |
| 227   | 450249A     | 1   | ## A/C Elbow (Incl. items marked with # sign)   |
| 228   | 650901      | 1   | # Stud, 1/4-20 x 4.89"  |
| 232   | xxxxx       | 2   | # Pop Rivet (Can be purchased locally )   |
| 238   | 650940      | 2   | ## Screw, 10-32 x 3/4"  |
| 239   | 35815       | 1   | ## Air Cleaner Gasket   |
| 239A  | 34698A      | 1   | # Air Cleaner Gasket  |
| 241   | 34699       | 1   | # Air Cleaner Collar  |
| 245   | 34782       | 1   | ## Air Cleaner Filter   |
| 250   | 34781       | 1   | ## Air Cleaner Cover  |
| 251   | 650513      | 1   | ## Wing Nut, 1/4-20   |
| 260   | 350430      | 1   | Blower Housing  |
| 261   | 650894      | 4   | Screw, 5/16-18 x 5/8"   |
| 274   | 510343A     | 1   | Exhaust Gasket  |
| 275   | 390316      | 1   | Muffler   |
| 277   | 650893      | 2   | Screw, 5/16-18 x 3-13/64"   |
| 283   | 390315      | 1   | E.G.R. Tube   |
| 285   | 34449A      | 1   | Starter Cup   |
| 287   | 650926      | 4   | Screw, 8-32 x 21/64"  |
| 290   | 29774       | 1   | Fuel Line   |
| 292   | 26460       | 2   | Fuel Line Clamp   |
| 298   | 650895      | 3   | Screw, 10-32 x 5/8"   |
| 300   | 410258      | 1   | Fuel Tank   |
| 301   | 410259A     | 1   | Fuel Cap  |
| 325   | 29443       | 1   | Wire Clip   |
| 327   | 35392       | 1   | Starter Plug  |
| 344   | 450256      | 1   | # Air Cleaner Brace   |
| 344A  | 650894      | 1   | # Screw, 5/16-18 x 5/8"   |
| 370   | 550234      | 1   | Bowl Nut Decal  |
| 370A  | 36261       | 1   | Lubrication Decal   |
| 380   | 632434      | 1   | Carburetor (Incl. 164)  |
| 390   | 590694      | 1   | Rewind Starter (NOTE: This engine could have been built with 590686 starter. Refer to the design of the air intake louvers for part identification. Individual starter parts do not interchange.) |
| 399   | 510334      | 1   | Gasket Eliminator (Loctite 515)   |
| 420   | 730227A     | 1   | 2-Cycle Oil (8 oz.)   |

ILLUSTRATION SHOWS TYPICAL PARTS ONLY. ORDER BY PART NUMBER. PARTS NOT LISTED ARE SUPPLIED BY OEM.

### VIEW 2 OF 2



| Ref # | Part Number | Qty | Description   |
|-------|-------------|-----|---|
| 200   | 570675A     | 1   | Control Bracket (Incl. 202 thru 206)  |
| 202   | 32924       | 1   | Compression Spring  |
| 205   | 650606      | 1   | Screw, 10-32 x 1-1/8"   |
| 209A  | 650867      | 2   | Screw, 10-24 x 1/2"   |
| 209   | 650735      | 1   | Screw, 10-24 x 3/8"   |
| 245   | 34782       | 1   | ## Air Cleaner Filter   |
| 287   | 650926      | 4   | Screw, 8-32 x 21/64"  |
| 290   | 29774       | 1   | Fuel Line   |
| 292   | 26460       | 2   | Fuel Line Clamp   |
| 390   | 590694      | 1   | Rewind Starter (NOTE: This engine could have been built with 590686 starter. Refer to the design of the air intake louvers for part identification. Individual starter parts do not interchange.) |