

ILLUSTRATION SHOWS TYPICAL PARTS ONLY. ORDER BY PART NUMBER. PARTS NOT LISTED ARE SUPPLIED BY OEM.

VIEW 1 OF 2

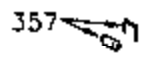
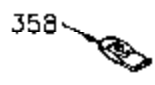
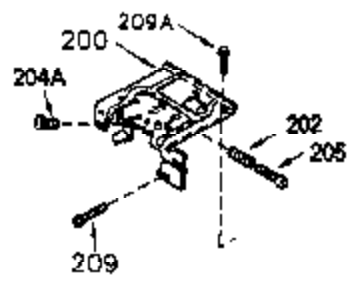
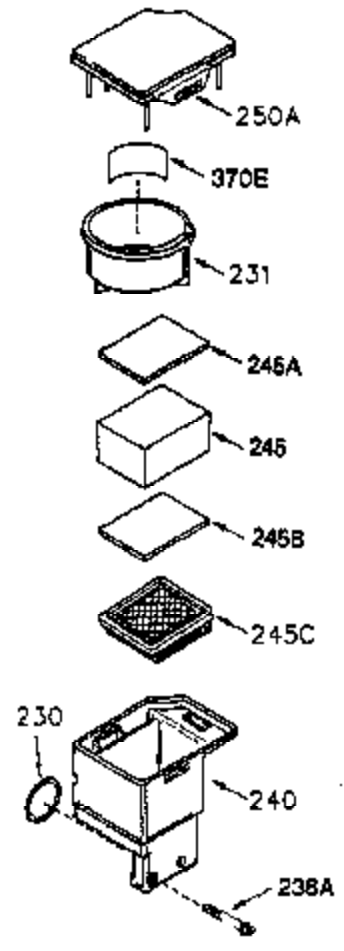
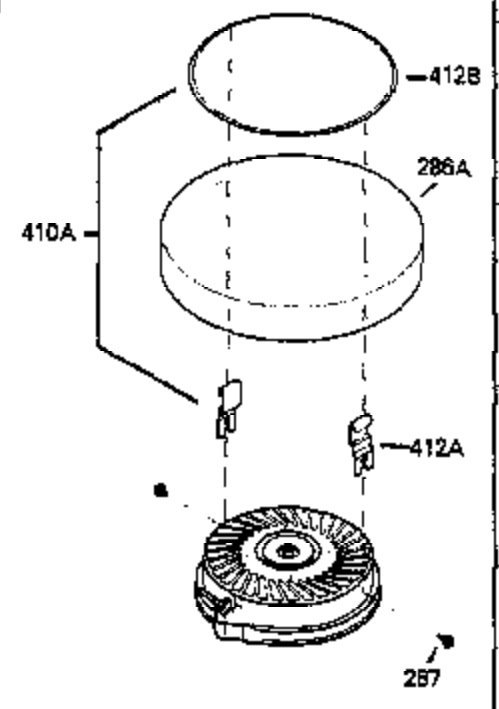
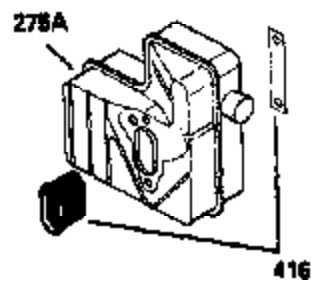
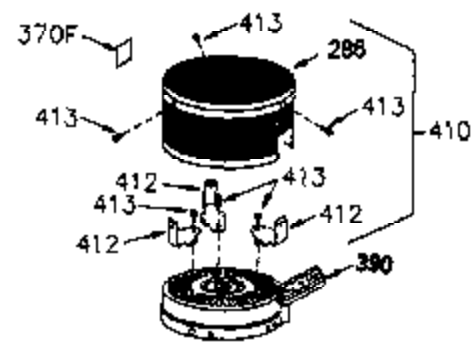
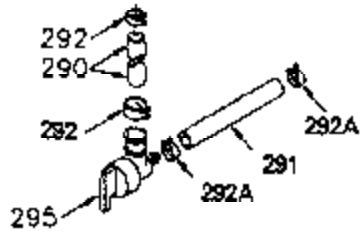


Ref #	Part Number	Qty	Description
	1 250288	1	Cylinder (Incl. 67, 75A, 105, 106 & 1 38)
	16 490306	1	Governor Lever
	16A 490304	1	Governor Lever
	19A 490307	1	Backlash Spring
	19 490308	1	Extension Spring
	20 510340	1	Oil Seal
	21 570673	3	Ball Bearing
	22 510338	1	Slide Ring
	23 530158	1	Ball Bearing
	24 530161	1	Ball Bearing
	27 530159	1	Bearing Retainer
	29 530164	1	Bearing Strip (31 Needles)
	30 290573B	1	Crankshaft (Incl. 29)
	33 330179	1	Adapter Plate
	34 792067	3	Screw, 5/16-18 x 1"
	35A 650506	2	Screw, 4-40 x 1/4"
	35 29826	1	Screw, 10-32 x 3/4"
	37 29216	1	Lock Nut, 10-32
	39 310279B	1	Piston & Rod Ass'y. (Incl. 29 & 42)
	42 310239	2	Ring Set
	67 430233	1	Fuel Filter
	75 510339	1	Oil Seal
	75A 510337	1	Oil Seal
	80 490305	1	Governor Shaft
	89 611107	1	Flywheel Key
	90 611109	1	Flywheel
	92 650815	1	Belleville Washer
	93 650816	1	Flywheel Nut
	100 34443A	1	Solid State Ignition
	101 610118	1	Spark Plug Cover
	103 651007	2	Screw, Torx T-15, 10-24 x 15/16"
	105 650892	2	Screw, 5/16-18 x 2-3/16"
	106 650891	2	Screw, 5/16-18 x 1-5/8"
	110 611208	1	Ground Wire
	135 35395	1	Resistor Spark Plug (RJ19LM)
	138 570683	2	Port Cover
	164 510341	1	"O" Ring
	165 510342	1	"O" Ring
	182 792067	2	Screw, 5/16-18 x 1"
	184A 27110	2	Washer
	185 570674	1	Intake Pipe (Incl. 164 & 165)
	186 490309	1	Governor Link
	190 570688	1	Brake Lever
	191 570679	1	S.E. Brake Bracket
	191A 570678A	1	Brake Control Lever
	192 490312	1	Brake Control Link
	193 490311	1	Brake Spring
	195 610973	1	Terminal
	197A 650897	1	Screw, 1/4-20 x 13/32"
	197 650896	1	Screw, 1/4-20 x 13/16"
	198 490313	1	Brake Control Lever Spring
	200 570675A	1	Control Bracket (Incl. 202 thru 206)
	202 32924	1	Compression Spring
	203 31342	1	Compression Spring
	204 650549	1	Screw, 5-40 x 7/16"
	205 650606	1	Screw, 10-32 x 1-1/8"
	206 610973	1	Terminal
	209A 650867	2	Screw, 10-24 x 1/2"

Ref #	Part Number	Qty	Description
209	650735	1	Screw, 10-24 x 3/8"
210	27793	1	Conduit Clip
211	650837	1	Screw, 10-32 x 1/4"
226	730575B	1	Air Cleaner Kit (Incl. items marked # # sign)
227	450249A	1	## A/C Elbow (Incl. items marked with # sign)
228	650901	1	# Stud, 1/4-20 x 4.89"
232	0	2	# Pop Rivet (Can be purchased locally)
238	650940	2	## Screw, 10-32 x 3/4"
239	35815	1	## Air Cleaner Gasket
239A	34698A	1	# Air Cleaner Gasket
241	34699	1	# Air Cleaner Collar
245	34782A	1	## Air Cleaner Filter
250	34781	1	## Air Cleaner Cover
251	650513	1	## Wing Nut, 1/4-20
260	350430	1	Blower Housing
261	650894	4	Screw, 5/16-18 x 5/8"
274	510343A	1	Exhaust Gasket
275	390316	1	Muffler
277	650893	2	Screw, 5/16-18 x 3-13/64"
278	28537	1	Washer
279	650837	3	Screw, 10-32 x 1/4"
280	390307A	1	Heat Shield
283	390315	1	E.G.R. Tube
285	34449A	1	Starter Cup
287	650926	4	Screw, 8-32 x 21/64"
290	29774	1	Fuel Line
292	26460	4	Fuel Line Clamp
298	650895	3	Screw, 10-32 x 5/8"
300	410258	1	Fuel Tank
301	410259A	1	Fuel Cap
325	29443	1	Wire Clip
344A	650894	1	# Screw, 5/16-18 x 5/8"
344	450256	1	# Air Cleaner Brace
370	550234	1	Bowl Nut Decal
370K	36695	1	Starter Decal
370A	36261	1	Lubrication Decal
380	632755	1	Carburetor (Incl. 164)
390	590694	1	Rewind Starter (NOTE: This engine could have been built with 590737 starter. Refer to the design of the rope pulley strength ribs for part identification. Individual starter parts do not interchange. Refer to service bulletin 116.)
399	510334	1	Gasket Eliminator (Loctite 515)
420	730227A	1	2-Cycle Oil (8 oz.)

ILLUSTRATION SHOWS TYPICAL PARTS ONLY. ORDER BY PART NUMBER. PARTS NOT LISTED ARE SUPPLIED BY OEM.

VIEW 2 OF 2



Ref #	Part Number	Qty	Description
200	570675A	1	Control Bracket (Incl. 202 thru 206)
202	32924	1	Compression Spring
205	650606	1	Screw, 10-32 x 1-1/8"
209A	650867	2	Screw, 10-24 x 1/2"
209	650735	1	Screw, 10-24 x 3/8"
245	34782A	1	## Air Cleaner Filter
287	650926	4	Screw, 8-32 x 21/64"
290	29774	1	Fuel Line
291	29774	1	Fuel Line
292	26460	4	Fuel Line Clamp
295	35857	1	Fuel Shut-Off Valve
370K	36695	1	Starter Decal
390	590694	1	Rewind Starter (NOTE: This engine could have been built with 590737 starter. Refer to the design of the rope pulley strength ribs for part identification. Individual starter parts do not interchange. Refer to service bulletin 116.)