

ILLUSTRATION SHOWS TYPICAL PARTS ONLY. ORDER BY PART NUMBER. PARTS NOT LISTED ARE SUPPLIED BY OEM.



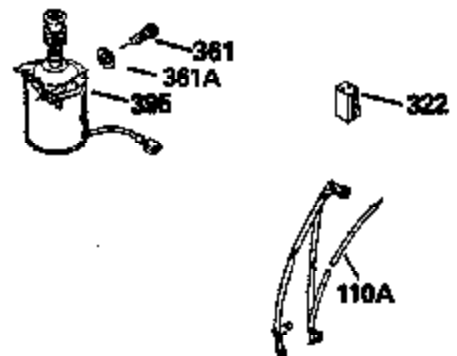
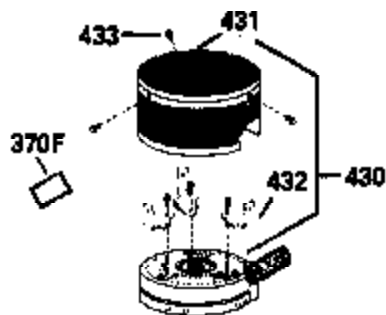
| Ref # | Part Number | Qty | Description                                                                                                                                                                                                                                                               |
|-------|-------------|-----|---------------------------------------------------------------------------------------------------------------------------------------------------------------------------------------------------------------------------------------------------------------------------|
| 1     | 34472B      |     | Cylinder Ass'y. (Incl. 2, 8, 9 & 20) (2-1/2")                                                                                                                                                                                                                             |
| 2     | 26727       |     | Pin, Dowel                                                                                                                                                                                                                                                                |
| 6     | 33734       |     | Element, Breather                                                                                                                                                                                                                                                         |
| 7     | 34214A      |     | Breather Ass'y. (Incl. 6, 8, 9, 12 & 12A)                                                                                                                                                                                                                                 |
| 8     | 33735       |     | * Gasket, Breather                                                                                                                                                                                                                                                        |
| 9     | 30200       |     | Screw, 10-24 x 9/16"                                                                                                                                                                                                                                                      |
| 12    | 33886       |     | Tube, Breather                                                                                                                                                                                                                                                            |
| 14    | 28277       |     | Washer                                                                                                                                                                                                                                                                    |
| 15    | 30589       |     | Rod, Governor (Incl. 14)                                                                                                                                                                                                                                                  |
| 16    | 31383A      |     | Lever, Governor                                                                                                                                                                                                                                                           |
| 17    | 31335       |     | Clamp, Governor lever                                                                                                                                                                                                                                                     |
| 18    | 650548      |     | Screw, 8-32 x 5/16"                                                                                                                                                                                                                                                       |
| 19    | 31361       |     | Spring, Extension                                                                                                                                                                                                                                                         |
| 20    | 32600       |     | Seal, Oil                                                                                                                                                                                                                                                                 |
| 30    | 34440       |     | Crankshaft Ass'y.                                                                                                                                                                                                                                                         |
| 40    | 34514       |     | Piston, Pin & Ring Set (Std.) (2-1/2" Bore)                                                                                                                                                                                                                               |
| 40    | 34515       |     | Piston, Pin & Ring Set (.010" OS)                                                                                                                                                                                                                                         |
| 40    | 34516       |     | Piston, Pin & Ring Set (.020" OS)                                                                                                                                                                                                                                         |
| 41    | 32538B      |     | Piston & Pin Ass'y. (Incl. 43)(Std.)( 2-1/2")                                                                                                                                                                                                                             |
| 41    | 32548B      |     | Piston & Pin Ass'y. (Incl. 43) (.010" OS)                                                                                                                                                                                                                                 |
| 41    | 32549B      |     | Piston & Pin Ass'y. (Incl. 43) (.020" OS)                                                                                                                                                                                                                                 |
| 42    | 28986       |     | Ring Set (Std.) (2-1/2" Bore)                                                                                                                                                                                                                                             |
| 42    | 28987       |     | Ring Set (.010" OS)                                                                                                                                                                                                                                                       |
| 42    | 28988       |     | Ring Set (.020" OS)                                                                                                                                                                                                                                                       |
| 43    | 20381       |     | Ring, Piston pin retaining                                                                                                                                                                                                                                                |
| 45    | 30963B      |     | Rod Assy., Connecting (Incl. 46)                                                                                                                                                                                                                                          |
| 46    | 32610A      |     | Bolt, Connecting rod                                                                                                                                                                                                                                                      |
| 48    | 27241       |     | Lifter, Valve                                                                                                                                                                                                                                                             |
| 50    | 33148A      |     | Camshaft                                                                                                                                                                                                                                                                  |
| 52    | 29914       |     | Oil Pump Assy.                                                                                                                                                                                                                                                            |
| 69    | 35261       |     | * Gasket, Mounting flange                                                                                                                                                                                                                                                 |
| 70    | 30571A      |     | Flange Ass'y. (Incl. 72, 73, 75, 80 & 311)                                                                                                                                                                                                                                |
| 72    | 30572       |     | Plug, Oil drain (Incl. 73)                                                                                                                                                                                                                                                |
| 73    | 28833       |     | * Drain Plug Gasket (Not req. W/plastic plug)                                                                                                                                                                                                                             |
| 75    | 26208       |     | Seal, Oil                                                                                                                                                                                                                                                                 |
| 80    | 30574       |     | Shaft, Governor                                                                                                                                                                                                                                                           |
| 81    | 30590A      |     | Washer, Flat                                                                                                                                                                                                                                                              |
| 82    | 30591       |     | Gear Assy., Governor (Incl. 81)                                                                                                                                                                                                                                           |
| 83    | 30588A      |     | Spool, Governor                                                                                                                                                                                                                                                           |
| 84    | 29193       |     | Ring, Retaining                                                                                                                                                                                                                                                           |
| 86    | 650488      |     | Screw, 1/4-20 x 1-1/4"                                                                                                                                                                                                                                                    |
| 89    | 610995      |     | Flywheel Key                                                                                                                                                                                                                                                              |
| 90    | 611046A     |     | Flywheel                                                                                                                                                                                                                                                                  |
| 92    | 650815      |     | Washer, Belleville                                                                                                                                                                                                                                                        |
| 93    | 650816      |     | Nut, Flywheel                                                                                                                                                                                                                                                             |
| 100   | 34431       |     | Solid State Ignition NOTE: Specs with this ignition system can still service individual components (points, condenser, etc.)See Div. 3, Sec. A, page TVS75 & TVS90 4,Reference numbers 122 thru 134. (This coil has been superseded to 730207 solid state conversion kit) |
| 100   | 730207      |     | Magneto-to-Solid State Conversion Kit (Includes solid state module, solid state flywheel key, and instructions.)(Use as required on external ignition engines only.)                                                                                                      |
| 101   | 610118      |     | Cover, Spark plug                                                                                                                                                                                                                                                         |
| 103   | 650814      |     | Screw, Torx T-15, 10-24 x 1"                                                                                                                                                                                                                                              |
| 110   | 34432       |     | Ground Wire                                                                                                                                                                                                                                                               |
| 119   | 29953C      |     | * Gasket, Cylinder head                                                                                                                                                                                                                                                   |

| Ref # | Part Number | Qty | Description                                                                                                                                 |
|-------|-------------|-----|---------------------------------------------------------------------------------------------------------------------------------------------|
| 120   | 34335       |     | Head, Cylinder                                                                                                                              |
| 125   | 29313C      |     | Exhaust Valve (Std.) (Incl. 151)                                                                                                            |
| 125   | 29315C      |     | Exhaust Valve (1/32" OS) (Incl. 151)                                                                                                        |
| 126   | 29314B      |     | Intake Valve (Std.) (Incl. 151)                                                                                                             |
| 126   | 29315C      |     | Intake Valve (1/32" OS) (Incl. 151)                                                                                                         |
| 130   | 6021A       |     | Screw, 5/16-18 x 1-1/2"                                                                                                                     |
| 135   | 33636       |     | Resistor Spark Plug                                                                                                                         |
| 150   | 31672       |     | Spring, Valve                                                                                                                               |
| 151   | 31673       |     | Cap, Lower valve spring                                                                                                                     |
| 169   | 27234A      |     | * Gasket, Valve spring box                                                                                                                  |
| 172   | 32755       |     | Cover, Valve spring box                                                                                                                     |
| 174   | 650128      |     | Screw, 10-24 x 1/2"                                                                                                                         |
| 178   | 29752       |     | Nut & Lockwasher, 1/4-28                                                                                                                    |
| 182   | 6201        |     | Screw, 1/4-28 x 7/8"                                                                                                                        |
| 184   | 26756       |     | * Gasket, Carburetor                                                                                                                        |
| 185   | 31384A      |     | Pipe, Intake (Incl. 224)                                                                                                                    |
| 186   | 34337       |     | Link, Governor spring                                                                                                                       |
| 200   | 33131A      |     | Control Bracket (Incl. 202 thru 206)                                                                                                        |
| 202   | 33802       |     | Spring, Torsion                                                                                                                             |
| 203   | 31342       |     | Spring, Torsion                                                                                                                             |
| 204   | 650549      |     | Screw, 5-40 x 7/16"                                                                                                                         |
| 205   | 650777      |     | Screw, 6-32 x 21/32"                                                                                                                        |
| 206   | 610973      |     | Terminal (Use as required)                                                                                                                  |
| 207   | 34336       |     | Link, Throttle                                                                                                                              |
| 209   | 30200       |     | Screw, 10-24 x 9/16"                                                                                                                        |
| 210   | 27793       |     | Clip, Conduit                                                                                                                               |
| 211   | 28942       |     | Screw, 10-32 x 3/8"                                                                                                                         |
| 223   | 650451      |     | Screw, 1/4-20 x 1"                                                                                                                          |
| 224   | 34690A      |     | * Gasket, Intake pipe                                                                                                                       |
| 238   | 650806      |     | Screw, 10-32 x 5/8"                                                                                                                         |
| 239   | 34338       |     | * Gasket, Air cleaner                                                                                                                       |
| 240   | 34339       |     | Body, Air cleaner                                                                                                                           |
| 246   | 34340       |     | Air Cleaner Filter                                                                                                                          |
| 250A  | 34341A      |     | Air Cleaner Cover                                                                                                                           |
| 261   | 30200       |     | Screw, 10-24 x 9/16"                                                                                                                        |
| 262   | 650831      |     | Screw, 1/4-20 x 15/32"                                                                                                                      |
| 290   | 30962       |     | Fuel Line (Braided 32")(81cm)(Use as req.)                                                                                                  |
| 290   | 34357       |     | Fuel Line (Epichlorohydrin 6-3/4") (1 7cm)                                                                                                  |
| 290   | 29774       |     | Fuel Line (Braided 8-1/4")(21cm)(Use as req.)                                                                                               |
| 290   | 30705       |     | Fuel Line (Braided 16")(40cm)(Use as req.)                                                                                                  |
| 292   | 26460       |     | Clamp, Fuel line                                                                                                                            |
| 300   | 32170A      |     | Fuel Tank (Incl. 292 & 301)                                                                                                                 |
| 306   | 34282       |     | "O" Ring (This "O" ring is required with metal fill tube only when replacement mounting flange with .777 dia. oil fill hole has been used.) |
| 311   | 27625       |     | Plug, Oil filler (Incl. 312)                                                                                                                |
| 312   | 29673       |     | * Gasket, Oil filler                                                                                                                        |
| 313   | 33876       |     | Gasket, Stator                                                                                                                              |
| 370B  | 34363       |     | Decal, Instruction                                                                                                                          |
| 379   | 631021      |     | Inlet Needle, Seat & Clip Assy.                                                                                                             |
| 380   | 632046A     |     | Carburetor (Incl. 184) (Refer to Division 5, Section A, page A2-10 or Fiche 8, Grid F-3for breakdown)                                       |
| 400   | 33238C      |     | * Gasket Set (Incl. items marked *)                                                                                                         |
| 420   | 730225      |     | SAE 30, 4-Cycle Engine Oil (Quart)                                                                                                          |

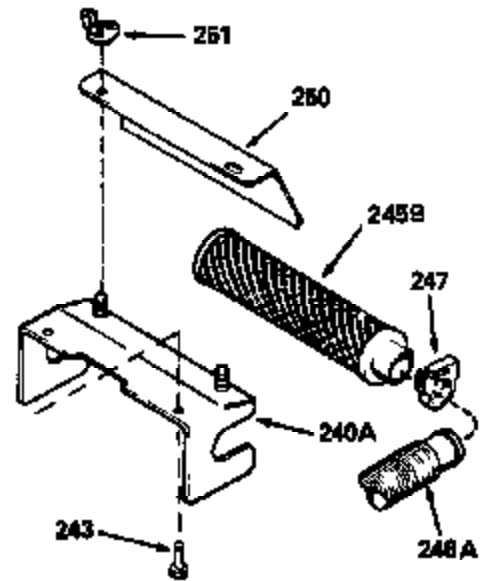
ILLUSTRATION SHOWS TYPICAL PARTS ONLY. ORDER BY PART NUMBER. PARTS NOT LISTED ARE SUPPLIED BY OEM.



| Ref # | Part Number | Qty | Description                                                                                            |
|-------|-------------|-----|--------------------------------------------------------------------------------------------------------|
| 118   | 730194      |     | Rope Guide Kit (Use as required with 34476 fuel tank)                                                  |
| 238   | 650806      |     | Screw, 10-32 x 5/8"                                                                                    |
| 246C  | 35705       |     | Filter, Pre-Air (Optional)                                                                             |
| 260   | 34345       |     | Housing, Blower                                                                                        |
| 262   | 650831      |     | Screw, 1/4-20 x 15/32"                                                                                 |
| 287   | 650802      |     | Screw, 1/4-20 x 5/8"                                                                                   |
| 287A  | 650735      |     | Screw, 10-24 x 3/8" (Use as required)                                                                  |
| 287A  |             |     | Pop Rivet, (3/16" Dia.)(Purchase locally)                                                              |
| 301   | 33032       |     | Fuel Cap                                                                                               |
| 326   | 34113       |     | Plug, Screen                                                                                           |
| 370A  | 34346       |     | Decal, Instruction                                                                                     |
| 370B  | 34363       |     | Decal, Instruction                                                                                     |
| 390   | 590531      |     | Side Mount Rewind Starter (Refer to Division 5, Section C, page 32 or Fiche 8, Grid G-8 for breakdown) |



| Ref # | Part Number | Qty | Description                                   |
|-------|-------------|-----|-----------------------------------------------|
| 210   | 27793       |     | Clip, Conduit                                 |
| 211   | 28942       |     | Screw, 10-32 x 3/8"                           |
| 274   | 26754A      |     | * Gasket, Exhaust (Use as required)           |
| 274   | 30081A      |     | * Gasket, Exhaust                             |
| 277A  | 30063       |     | Screw, 1/4-20 x 1/2" (Use as required )       |
| 370F  | 34387       |     | Decal, Instruction (Optional)                 |
| 415   | 730162      |     | Muffler Adap.Kit(Incl.274,277A)(Use a s req.) |
| 430   | 730574      |     | Debris Screen Kit (Incl. 370F,431-433 )(Opt.) |
| 431   | 35596       |     | Screen, Debris (Optional)                     |
| 432   | 35597       |     | Bracket, Debris screen (Optional)             |
| 433   | 650910      |     | Screw, 8-32 x 1/4" (Optional)                 |





| Ref # | Part Number | Qty | Description                       |
|-------|-------------|-----|-----------------------------------|
| 19    | 31361       |     | Spring, Extension                 |
| 69    | 35261       |     | * Gasket, Mounting flange         |
| 182   | 6201        |     | Screw, 1/4-28 x 7/8"              |
| 185   | 31384A      |     | Pipe, Intake (Incl. 224)          |
| 186   | 34337       |     | Link, Governor spring             |
| 209   | 30200       |     | Screw, 10-24 x 9/16"              |
| 223   | 650451      |     | Screw, 1/4-20 x 1"                |
| 238   | 650806      |     | Screw, 10-32 x 5/8"               |
| 246B  | 35435       |     | Filter, Pre-Air (Use as required) |