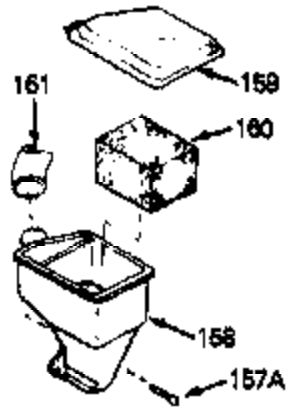
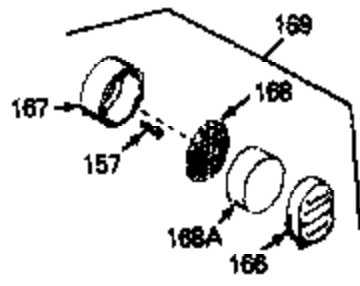
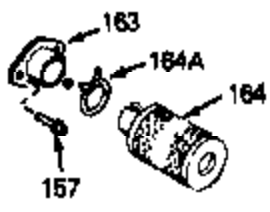
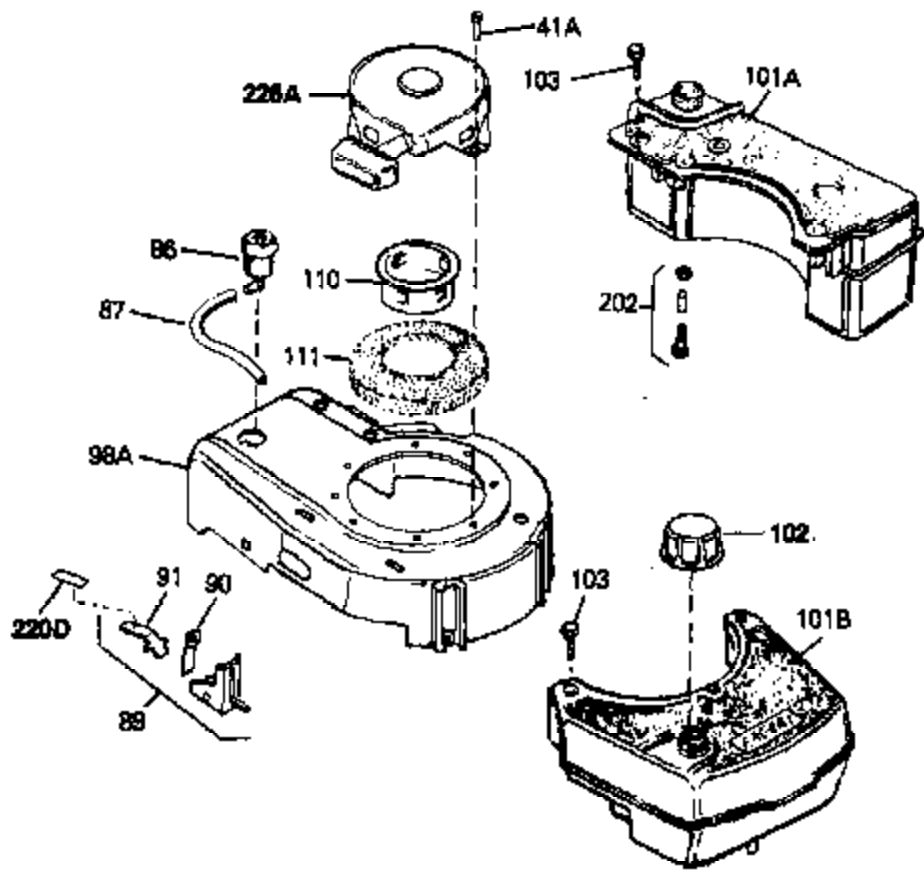


| Ref # | Part Number | Qty | Description |
|-------|-------------|-----|---|
| 1 | 34975 | 0 | Cylinder Assy. (2-1/2" Bore) |
| 2 | 26727 | 0 | Pin, Dowel |
| 4 | 32600 | 0 | Seal, Oil |
| 5 | 29314B | 0 | Valve, Intake (Standard) (Conventional |
| 5 | 29315C | 0 | Valve, Exhaust (1/32" oversize) |
| 6 | 29313C | 0 | Valve, Exhaust (Standard) (Conventional |
| 6 | 29315C | 0 | Valve, Exhaust (1/32" oversize) |
| 8 | 31671 | 0 | Cap, Upper valve spring |
| 9 | 31672 | 0 | Spring, Valve |
| 10 | 31673 | 0 | Cap, Lower valve spring |
| 11 | 34473 | 0 | Crankshaft Assy. |
| 14A | 32538B | 0 | Piston & Pin Assy. (Std.) (2-1/2") |
| 14A | 32548B | 0 | Piston & Pin Assy. (.010 oversize) |
| 14A | 32549B | 0 | Piston & Pin Assy. (.020 oversize) |
| 14 | 34514 | 0 | Piston, Pin & Ring Assy. (Std.) (2-1/2") |
| 14 | 34515 | 0 | Piston, Pin & Ring Assy. (.010 oversize) |
| 14 | 34516 | 0 | Piston, Pin & Ring Assy. (.020 oversize) |
| 15 | 28986 | 0 | Ring Set, Piston (Std.) (2-1/2") |
| 15 | 28987 | 0 | Ring Set, Piston (.010 oversize) |
| 15 | 28988 | 0 | Ring Set, Piston (.020 oversize) |
| 16 | 20381 | 0 | Ring, Piston pin retaining |
| 17 | 30963B | 0 | Rod Assy., Connecting |
| 18 | 32610A | 0 | Bolt, Connecting rod |
| 21 | 27241 | 0 | Lifter, Valve |
| 22 | 33148A | 0 | Camshaft (Compression Release) |
| 23 | 29914 | 0 | Pump Assy., Oil |
| 24 | 35261 | 0 | Gasket, Mounting flange |
| 25 | 35651A | 0 | Flange Assy., Mounting |
| 26 | 26208 | 0 | Seal, Oil |
| 27 | 28833 | 0 | Gasket, Oil drain |
| 28 | 30572 | 0 | Plug, Drain (Hex hd. 3/8-18) |
| 29 | 650488 | 0 | Screw |
| 31 | 30590A | 0 | Washer, Flat |
| 32 | 30574 | 0 | Shaft, Mechanical governor |
| 33 | 30591 | 0 | Gear Assy., Governor |
| 34 | 29193 | 0 | Ring, Retaining |
| 35 | 30588A | 0 | Spool, Governor |
| 36 | 31335 | 0 | Clamp, Governor lever |
| 37 | 28277 | 0 | Washer, Flat |
| 38 | 30589 | 0 | Rod, Governor |
| 39 | 31383A | 0 | Lever, Governor |
| 40 | 650548 | 0 | Screw, Hex washer hd., 8-32 x 5/16 |
| 41 | 650802 | 0 | Screw, Hex washer hd. taptite, 1/4-20 x 5/8 |
| 42 | 610995 | 0 | Key, Flywheel (External Pt. Ign. Gray) |
| 46 | 29953C | 0 | Gasket, Head |
| 47 | 34335 | 0 | Head, Cylinder |
| 48 | 33636 | 0 | Plug, Spark (Champion J-8 or equivalent) |
| 49 | 6021A | 0 | Screw, Hex flange hd., 5/16-18 x 1-1/2 |
| 49 | 650697A | 0 | Screw, Hex flange hd., 5/16-18 x 2-1/2 |
| 52 | 31619A | 0 | Gasket, Breather |
| 53 | 31337A | 0 | Breather Assy. |
| 54 | 31410 | 0 | Element, Breather |
| 55 | 650128 | 0 | Screw |
| 61 | 31384A | 0 | Pipe, Intake |
| 62 | 650451 | 0 | Screw |
| 63 | 32649A | 0 | Gasket, Intake |
| 68 | 33802 | 0 | Spring Compression |
| 68A | 31342 | 0 | Spring, Compression |

| Ref # | Part Number | Qty | Description |
|-------|-------------|-----|---|
| 69 | 650549 | 0 | Screw |
| 69A | 650777 | 0 | Screw, Slotted fil. hd. mach., 6-32 x 7/16 |
| 70 | 34337 | 0 | Link, Governor spring |
| 70A | 34336 | 0 | Link, Governor-to-throttle |
| 71 | 31361 | 0 | Spring, Governor |
| 72 | 650774 | 0 | Screw, Hex hd., 1/4-20 x 2-3/8 |
| 72 | 650795 | 0 | Screw, Hex hd. cap, Sems, 1/4-20 x 2-5/16 |
| 72 | 650869 | 0 | Screw, Hex hd., 1/4-20 x 2-3/4 |
| 72 | 792005 | 0 | Screw, Hex hd., 1/4-20 x 2-1/2 |
| 73 | 27181B | 0 | Muffler |
| 80 | 34432 | 0 | Wire, Ground (Two female & one double male |
| 81 | 26756 | 0 | Gasket, Carburetor |
| 82 | 29752 | 0 | Nut |
| 83 | 6201 | 0 | Screw |
| 92 | 28942 | 0 | Screw |
| 93 | 27793 | 0 | Clip, Conduit |
| 95 | 30200 | 0 | Screw |
| 96 | 33131A | 0 | Control Assy., Speed |
| 97 | 610973 | 0 | Terminal Assy. |
| 98 | 34345 | 0 | Housing, Blower |
| 99 | 650831 | 0 | Screw, Hex washer hd. Powerlok thread, |
| 100 | 30200 | 0 | Screw |
| 101 | 32170A | 0 | Tank Assy., Fuel (White Poly) (1 qt.) |
| 102 | 33032 | 0 | Cap, Fuel filler (Red Plastic) (Spurt |
| 104 | 26460 | 0 | Clamp, Fuel line |
| 105 | 29774 | 0 | Line, Fuel (Braided 8.25") |
| 105 | 30705 | 0 | Line, Fuel (Braided 16") |
| 105 | 30962 | 0 | Line, Fuel (Braided 32") |
| 105 | 34357 | 0 | Line, Fuel (Epichlorohydrin 6-3/4") |
| 106 | 650815 | 0 | Washer, Belleville |
| 107 | 650816 | 0 | Nut, Flywheel |
| 109 | 34113 | 0 | Plug, Screen |
| 121 | 34431 | 0 | Lamination & Coil Assy. |
| 121 | 730207 | 0 | Magneto-to-Solid State Conversion Kit |
| 136 | 650814 | 0 | Screw, Hex hd. Sems, 10-24 x 1 |
| 137 | 611046A | 0 | Flywheel |
| 154 | 34340 | 0 | Element, Air cleaner (Poly) |
| 155 | 34341A | 0 | Cover, Air cleaner (Black) |
| 156 | 34339 | 0 | Body, Air cleaner |
| 157 | 650806 | 0 | Screw, Hex washer hd. shoulder, 10-32 x 5/8 |
| 162 | 34338 | 0 | Gasket, Air cleaner |
| 220 | 34346 | 0 | Decal, Instruction |
| 220 | 550223 | 0 | Decal, Name |
| 220B | 34363 | 0 | Decal, Instruction |
| 223 | 631021 | 0 | Inlet Needle, Seat & Clip Assy. |
| 224 | 632046A | 0 | Carburetor |
| 226 | 590531 | 0 | Starter, Side mount rewind |
| 230 | 33238D | 0 | Gasket Set |



| Ref # | Part Number | Qty | Description |
|-------|-------------|-----|---|
| 41A | 0 | 0 | Rivet, Pop (3/16" Dia.) |
| 41A | 650735 | 0 | Screw |
| 102 | 33032 | 0 | Cap, Fuel filler (Red Plastic) (Spurt |
| 157 | 650806 | 0 | Screw, Hex washer hd. shoulder, 10-32 x 5/8 |
| 202 | 730194 | 0 | Rope Guide Kit |



| Ref # | Part Number | Qty | Description |
|-------|-------------|-----|---|
| 45 | 650489 | 0 | Screw |
| 61 | 31384A | 0 | Pipe, Intake |
| 70 | 34337 | 0 | Link, Governor spring |
| 71 | 31361 | 0 | Spring, Governor |
| 72A | 30063 | 0 | Screw |
| 72 | 650774 | 0 | Screw, Hex hd., 1/4-20 x 2-3/8 |
| 72 | 650795 | 0 | Screw, Hex hd. cap, Sems, 1/4-20 x 2-5/16 |
| 72 | 650869 | 0 | Screw, Hex hd., 1/4-20 x 2-3/4 |
| 72 | 792005 | 0 | Screw, Hex hd., 1/4-20 x 2-1/2 |
| 76 | 26754A | 0 | Gasket, Exhaust |
| 77 | 730162 | 0 | Kit, Muffler Adapter |
| 83 | 6201 | 0 | Screw |
| 95 | 30200 | 0 | Screw |
| 97 | 610973 | 0 | Terminal Assy. |
| 108 | 33876 | 0 | Gasket, Stator |
| 122 | 30551 | 0 | Spring, Breaker box dust cover |
| 123 | 610947 | 0 | Cover, Breaker box dust |
| 124 | 610955 | 0 | Gasket, Dust cover |
| 125 | 30992 | 0 | Cam, Breaker |
| 126 | 30547A | 0 | Contact Assy., Breaker |
| 127 | 610385 | 0 | Washer, Terminal |
| 128 | 610408 | 0 | Nut, Terminal |
| 129 | 29181 | 0 | Screw & Washer Assy., Breaker |
| 130 | 610593 | 0 | Screw, Condenser fastening |
| 131 | 33356 | 0 | Terminal, Ground |
| 132 | 30548B | 0 | Condenser |
| 133 | 611006 | 0 | Stator Plate Assy. |
| 134 | 30549 | 0 | Felt, Cam wiper |
| 149 | 34267 | 0 | Dipstick, Oil (Twist Lock) |
| 150 | 33590 | 0 | "O" Ring |
| 151 | 650562 | 0 | Screw |
| 152 | 34265 | 0 | Gasket, Oil fill tube |
| 152 | 34282 | 0 | "O" Ring (.612 I.D. x .812 O.D. x .103 |
| 153 | 34264 | 0 | Tube Assy., Oil fill (Plastic) |