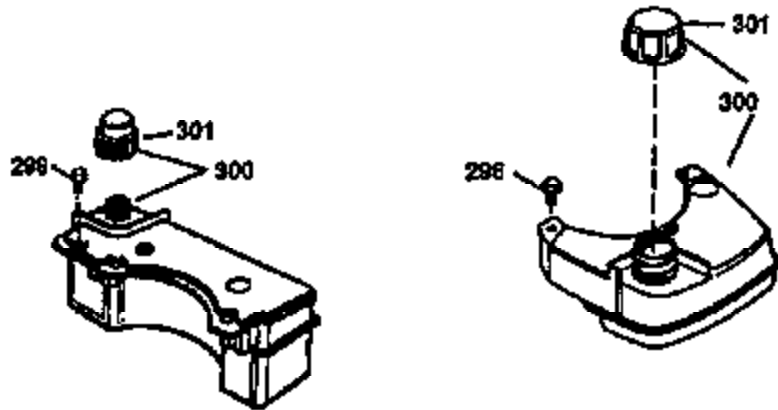


| Ref # | Part Number | Qty | Description                               |
|-------|-------------|-----|---|
| 1     | 36470A      | 1   | Cylinder (Incl. 2,7,20,125,169,172,17 4)  |
| 2     | 26727       | 2   | Dowel Pin                                 |
| 6     | 33734       | 1   | Breather Element                          |
| 7     | 36557       | 1   | Breather Ass'y. (Incl. 6 & 12A)           |
| 12A   | 36558       | 1   | Breather Cover & Tube (Incl. 12B)         |
| 12B   | 34695       | 1   | Breather Tube Elbow                       |
| 14    | 28277       | 1   | Washer                                    |
| 15    | 30589       | 1   | Governor Rod (Incl. 14)                   |
| 16    | 32651       | 1   | Governor Lever                            |
| 17    | 31335       | 1   | Governor Lever Clamp                      |
| 18    | 651018      | 1   | Screw, Torx T-15, 8-32 x 19/64"           |
| 19    | 31361       | 1   | Extension Spring                          |
| 20    | 32600       | 1   | Oil Seal                                  |
| 30    | 35342       | 1   | Crankshaft                                |
| 40    | 34514       | 1   | Piston, Pin & Ring Set (Std.)             |
| 40    | 34515       | 1   | Piston, Pin & Ring Set (.010" OS)         |
| 40    | 34516       | 1   | Piston, Pin & Ring Set (.020" OS)         |
| 41    | 32538B      | 1   | Piston & Pin Ass'y. (Std.) (Incl. 43)     |
| 41    | 32548B      | 1   | Piston & Pin Ass'y. (.010" OS) (Incl. 43) |
| 41    | 32549B      | 1   | Piston & Pin Ass'y. (.020" OS) (Incl. 43) |
| 42    | 28986       | 1   | Ring Set (Std.)                           |
| 42    | 28987       | 1   | Ring Set (.010" OS)                       |
| 42    | 28988       | 1   | Ring Set (.020" OS)                       |
| 43    | 20381       | 2   | Piston Pin Retaining Ring                 |
| 45    | 30963B      | 1   | Connecting Rod Ass'y. (Incl. 46)          |
| 46    | 32610A      | 2   | Connecting Rod Bolt                       |
| 48    | 27241       | 2   | Valve Lifter                              |
| 50    | 35990       | 1   | Camshaft (BCR)                            |
| 52    | 29914       | 1   | Oil Pump Ass'y.                           |
| 69    | 35261       | 1   | * Mounting Flange Gasket                  |
| 70    | 34311D      | 1   | Mounting Flange (Incl.72 thru 83)         |
| 72A   | 28534       | 1   | Oil Drain Plug                            |
| 72    | 30572       | 1   | Oil Drain Plug (Incl. 73)                 |
| 73    | 28833       | 1   | Drain Plug Gasket                         |
| 75    | 27897       | 1   | Oil Seal                                  |
| 80    | 30574A      | 1   | Governor Shaft                            |
| 81    | 30590A      | 1   | Washer                                    |
| 82    | 30591       | 1   | Governor Gear Ass'y. (Incl. 81)           |
| 83    | 30588A      | 1   | Governor Spool                            |
| 86    | 650488      | 6   | Screw, 1/4-20 x 1-1/4"                    |
| 89    | 611004      | 1   | Flywheel Key                              |
| 90    | 611112      | 1   | Flywheel                                  |
| 92    | 650815      | 1   | Belleville Washer                         |
| 93    | 650816      | 1   | Flywheel Nut                              |
| 100   | 34443A      | 1   | Solid State Ignition                      |
| 101   | 610118      | 1   | Spark Plug Cover                          |
| 103   | 651007      | 2   | Screw, Torx T-15, 10-24 x 15/16"          |
| 110   | 36230       | 1   | Ground Wire                               |
| 119   | 36437       | 1   | * Cylinder Head Gasket                    |
| 120   | 36474       | 1   | Cylinder Head                             |
| 125   | 36471       | 1   | Exhaust Valve (Std.) (Incl. 151)          |
| 125   | 36472       | 1   | Exhaust Valve (1/32" OS) (Incl. 151)      |
| 126   | 29314B      | 1   | Intake Valve (Std.) (Incl. 151)           |
| 126   | 29315C      | 1   | Intake Valve (1/32" OS) (Incl. 151)       |
| 130   | 6021A       | 8   | Screw, 5/16-18 x 1-1/2"                   |
| 135   | 35395       | 1   | Resistor Spark Plug (RJ19LM)              |
| 150   | 35991       | 2   | Valve Spring                              |
| 151   | 31673       | 2   | Valve Spring Cap                          |

| Ref # | Part Number | Qty | Description   |
|-------|-------------|-----|---|
| 169   | 27234A      | 1   | * Valve Cover Gasket  |
| 172   | 32755       | 1   | Valve Cover   |
| 174   | 30200       | 2   | Screw, 10-24 x 9/16"  |
| 178   | 29752       | 2   | Nut & Lock Washer, 1/4-28   |
| 179   | 30593       | 1   | Retainer Clip   |
| 182   | 6201        | 2   | Screw, 1/4-28 x 7/8"  |
| 184   | 26756       | 1   | * Carburetor To Intake Pipe Gasket  |
| 185   | 36544       | 1   | Intake Pipe   |
| 186   | 34337       | 1   | Governor Link   |
| 200   | 35727       | 1   | Control Bracket (Incl. 202 thru 206)  |
| 202   | 36482       | 1   | Compression Spring  |
| 203   | 31342       | 1   | Compression Spring  |
| 204   | 650549      | 1   | Screw, 5-40 x 7/16"   |
| 205   | 650777      | 1   | Screw, 6-32 x 21/32"  |
| 206   | 610973      | 1   | Terminal  |
| 207   | 34336       | 1   | Throttle Link   |
| 209   | 30200       | 2   | Screw, 10-24 x 9/16"  |
| 215   | 32410       | 1   | Control Knob  |
| 223   | 650451      | 2   | Screw, 1/4-20 x 1"  |
| 224   | 34690A      | 1   | * Intake Pipe Gasket  |
| 238   | 650932      | 2   | Screw, 10-32 x 49/64"   |
| 239   | 34338       | 1   | * Air Cleaner Gasket  |
| 245   | 35066       | 1   | Air Cleaner Filter  |
| 250   | 35065       | 1   | Air Cleaner Cover   |
| 260   | 36420A      | 1   | Blower Housing  |
| 261   | 30200       | 2   | Screw, 10-24 x 9/16"  |
| 262   | 650831      | 2   | Screw, 1/4-20 x 1/2"  |
| 275   | 27181C      | 1   | Muffler (Incl. 277)   |
| 275A  | 36664       | 1   | Spark Arrestor Muffler (Optional) (Incl. 284,284A,416,417)  |
| 277   | 650795      | 2   | Screw, 1/4-20 x 2-1/4"  |
| 285   | 35000A      | 1   | Starter Cup   |
| 287   | 650926      | 2   | Screw, 8-32 x 21/64"  |
| 290   | 30705       | 1   | Fuel Line   |
| 292   | 26460       | 2   | Fuel Line Clamp   |
| 300   | 34369B      | 1   | Fuel Tank (Incl. 292 & 301)   |
| 301   | 36246       | 1   | Fuel Cap  |
| 305   | 35647       | 1   | Oil Fill Tube   |
| 306   | 36832       | 1   | * "O"-Ring  |
| 307   | 35499       | 1   | "O"-Ring  |
| 309   | 650562      | 1   | Screw, 10-32 x 1/2"   |
| 310   | 35648       | 1   | Dipstick  |
| 313   | 34080       | 1   | Spacer  |
| 370K  | 36695       | 1   | Starter Decal   |
| 370A  | 36261       | 1   | Lubrication Decal   |
| 370B  | 35169       | 1   | Control Decal   |
| 380   | 632046A     | 1   | Carburetor (Incl. 184)  |
| 390   | 590732      | 1   | Rewind Starter (NOTE: This engine could have been built with 590738 starter.  |
| 400   | 36475       | 1   | * Gasket Set (Incl. items marked PK in notes) Incl. part #'s 26756 (1), 27234A (1), 33735 (1), 36832 (1), 34338 (1), 34690A (1), 35261 (1), 36437 (1) |
| 900   | 0           | 1   | Replacement Engine 750377, order from 71-999  |
| 900   | 0           |     | Replacement S/B NONE  |

ILLUSTRATION SHOWS TYPICAL PARTS ONLY, ORDER BY PART NUMBER. PARTS NOT LISTED ARE SUPPLIED BY OEM.



| Ref # | Part Number | Qty | Description  |
|-------|-------------|-----|--|
| 238   | 650932      | 2   | Screw, 10-32 x 49/64"  |
| 239   | 34338       | 1   | * Air Cleaner Gasket   |
| 245   | 35066       | 1   | Air Cleaner Filter   |
| 250   | 35065       | 1   | Air Cleaner Cover  |
| 260   | 36420A      | 1   | Blower Housing   |
| 275A  | 36664       | 1   | Spark Arrestor Muffler (Optional) (Incl. 284,284A,416,417)                   |
| 287   | 650926      | 2   | Screw, 8-32 x 21/64"   |
| 298   | 28763       | 3   | Screw, 10-32 x 35/64"  |
| 300   | 34369B      | 1   | Fuel Tank (Incl. 292 & 301)  |
| 301   | 36246       | 1   | Fuel Cap   |
| 390   | 590732      | 1   | Rewind Starter (NOTE: This engine could have been built with 590738 starter. |
| 900   | 0           | 1   | Replacement Engine 750377, order from 71-999                                 |
| 900   | 0           |     | Replacement S/B NONE   |

ILLUSTRATION SHOWS TYPICAL PARTS ONLY. ORDER BY PART NUMBER. PARTS NOT LISTED ARE SUPPLIED BY OEM.



| Ref # | Part Number | Qty | Description  |
|-------|-------------|-----|--|
|       | 19 31361    | 1   | Extension Spring   |
|       | 69 35261    | 1   | * Mounting Flange Gasket                                   |
|       | 70 34311D   | 1   | Mounting Flange (Incl.72 thru 83)                          |
|       | 90 611112   | 1   | Flywheel   |
|       | 182 6201    | 2   | Screw, 1/4-28 x 7/8"                                       |
|       | 185 36544   | 1   | Intake Pipe  |
|       | 186 34337   | 1   | Governor Link  |
|       | 200 35727   | 1   | Control Bracket (Incl. 202 thru 206)                       |
|       | 209 30200   | 2   | Screw, 10-24 x 9/16"                                       |
|       | 223 650451  | 2   | Screw, 1/4-20 x 1"   |
|       | 238 650932  | 2   | Screw, 10-32 x 49/64"                                      |
|       | 241 35797   | 1   | Air Cleaner Collar   |
|       | 245 35066   | 1   | Air Cleaner Filter   |
|       | 250 35065   | 1   | Air Cleaner Cover  |
|       | 275 27181C  | 1   | Muffler (Incl. 277)  |
| 275A  | 36664       | 1   | Spark Arrestor Muffler (Optional) (Incl. 284,284A,416,417) |
|       | 277 650795  | 2   | Screw, 1/4-20 x 2-1/4"                                     |
| 284A  | 650760      | 1   | Screw, 8-32 x 3/8" (Optional)                              |
|       | 284 36663   | 1   | Muffler Deflector (Incl. 284A)(Optional)                   |
|       | 416 36085   | 1   | Spark Arrestor Kit (Incl. 417)(Optional)                   |
|       | 417 650760  | 1   | Screw, 8-32 x 3/8" (Optional)                              |
|       | 900 0       | 1   | Replacement Engine 750377, order from 71-999               |
|       | 900 0       |     | Replacement S/B NONE                                       |