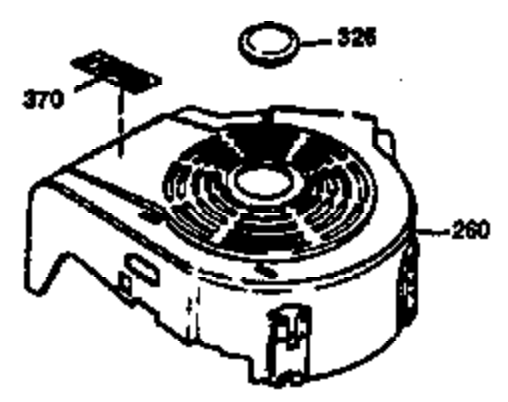
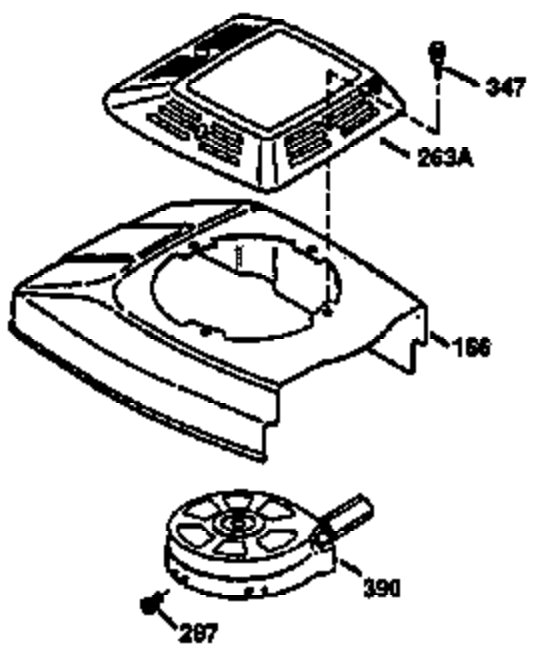
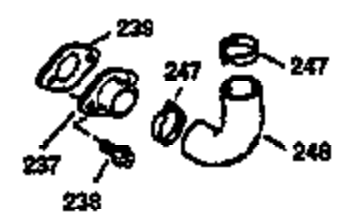
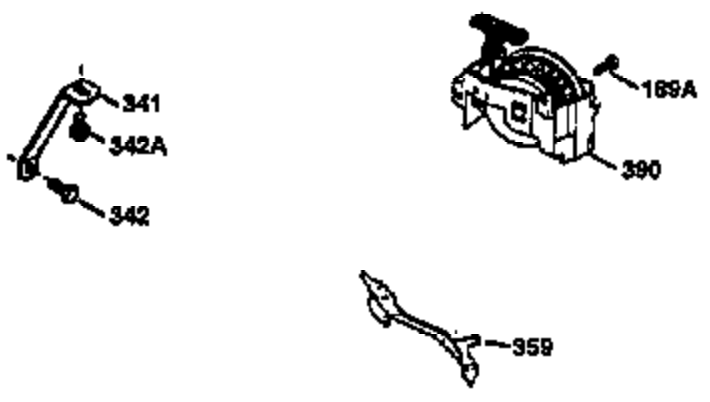
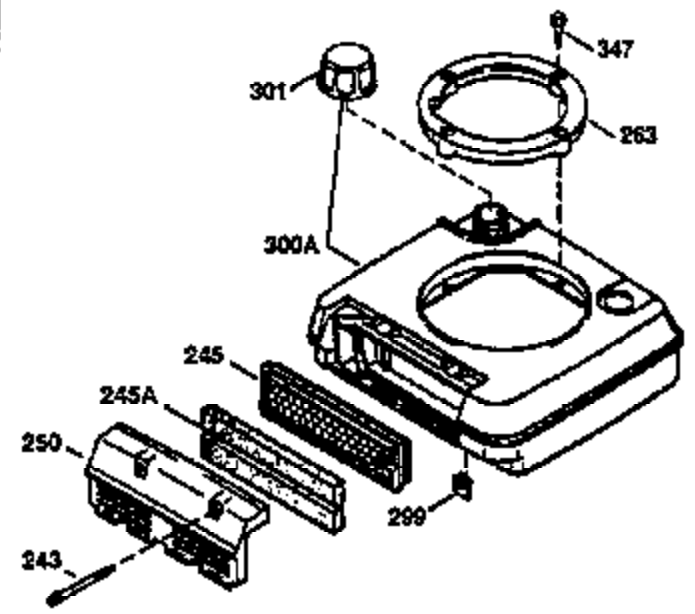




| Ref # | Part Number | Qty | Description |
|-------|-------------|-----|---|
| | 1 36470A | 1 | Cylinder (Incl. 2,7,20,125,169,172,17 4) |
| | 2 26727 | 2 | Dowel Pin |
| | 6 33734 | 1 | Breather Element |
| | 7 36557 | 1 | Breather Ass'y. (Incl. 6 & 12A) |
| 12A | 36558 | 1 | Breather Cover & Tube |
| | 14 28277 | 1 | Washer |
| | 15 30589 | 1 | Governor Rod (Incl. 14) |
| | 16 31383A | 1 | Governor Lever |
| | 17 31335 | 1 | Governor Lever Clamp |
| | 18 650548 | 1 | Screw, 8-32 x 5/16" |
| | 19 31361 | 1 | Extension Spring |
| | 20 32600 | 1 | Oil Seal |
| | 30 34463 | 1 | Crankshaft |
| | 40 34514 | 1 | Piston, Pin & Ring Set (Std.) |
| | 40 34515 | 1 | Piston, Pin & Ring Set (.010" OS) |
| | 40 34516 | 1 | Piston, Pin & Ring Set (.020" OS) |
| | 41 32538B | 1 | Piston & Pin Ass'y. (Std.) (Incl. 43) |
| | 41 32548B | 1 | Piston & Pin Ass'y. (.010" OS) (Incl. 43) |
| | 41 32549B | 1 | Piston & Pin Ass'y. (.020" OS) (Incl. 43) |
| | 42 28986 | 1 | Ring Set (Std.) |
| | 42 28987 | 1 | Ring Set (.010" OS) |
| | 42 28988 | 1 | Ring Set (.020" OS) |
| | 43 20381 | 2 | Piston Pin Retaining Ring |
| | 45 30963B | 1 | Connecting Rod Ass'y. (Incl. 46) |
| | 46 32610A | 2 | Connecting Rod Bolt |
| | 48 27241 | 2 | Valve Lifter |
| | 50 35990 | 1 | Camshaft (BCR) |
| | 52 29914 | 1 | Oil Pump Ass'y. |
| | 69 35261 | 1 | * Mounting Flange Gasket |
| | 70 30571C | 1 | Mounting Flange (Incl.72 thru 83,311) |
| | 72 36083 | 1 | Oil Drain Plug |
| | 75 26208 | 1 | Oil Seal |
| | 80 30574A | 1 | Governor Shaft |
| | 81 30590A | 1 | Washer |
| | 82 30591 | 1 | Governor Gear Ass'y. (Incl. 81) |
| | 83 30588A | 1 | Governor Spool |
| | 86 650488 | 6 | Screw, 1/4-20 x 1-1/4" |
| | 89 611004 | 1 | Flywheel Key |
| | 90 611112 | 1 | Flywheel |
| | 92 650815 | 1 | Belleville Washer |
| | 93 650816 | 1 | Flywheel Nut |
| | 100 34443A | 1 | Solid State Ignition |
| | 103 651007 | 2 | Screw, Torx T-15, 10-24 x 15/16" |
| | 110 34961 | 1 | Ground Wire |
| | 119 36437 | 1 | * Cylinder Head Gasket |
| | 120 36474 | 1 | Cylinder Head |
| | 125 36471 | 1 | Exhaust Valve (Std.) (Incl. 151) |
| | 125 36472 | 1 | Exhaust Valve (1/32" OS) (Incl. 151) |
| | 126 29314B | 1 | Intake Valve (Std.) (Incl. 151) |
| | 126 29315C | 1 | Intake Valve (1/32" OS) (Incl. 151) |
| | 130 6021A | 8 | Screw, 5/16-18 x 1-1/2" |
| | 135 35395 | 1 | Resistor Spark Plug (RJ19LM) |
| | 150 35991 | 2 | Valve Spring |
| | 151 31673 | 2 | Valve Spring Cap |
| | 169 27234A | 1 | * Valve Cover Gasket |
| | 172 32755 | 1 | Valve Cover |
| | 174 30200 | 2 | Screw, 10-24 x 9/16" |
| | 178 29752 | 2 | Nut & Lock Washer, 1/4-28 |

| Ref # | Part Number | Qty | Description |
|-------|-------------|-----|---|
| 182 | 6201 | 2 | Screw, 1/4-28 x 7/8" |
| 184 | 26756 | 1 | * Carburetor To Intake Pipe Gasket |
| 185 | 31384A | 1 | Intake Pipe (Incl. 224) |
| 186 | 32653 | 1 | Governor Link |
| 189 | 650839 | 2 | Screw, 1/4-20 x 3/8" |
| 191 | 36559 | 1 | S.E. Brake Bracket (Incl. 195) |
| 195 | 610973 | 1 | Terminal |
| 207 | 34336 | 1 | Throttle Link |
| 223 | 650451 | 2 | Screw, 1/4-20 x 1" |
| 224 | 34690A | 1 | * Intake Pipe Gasket |
| 238 | 650806 | 2 | Screw, 10-32 x 5/8" |
| 239 | 34338 | 1 | * Air Cleaner Gasket |
| 240 | 34858 | 1 | Air Cleaner Body |
| 245 | 34340 | 1 | Air Cleaner Filter |
| 250 | 34341B | 1 | Air Cleaner Cover |
| 260 | 35491 | 1 | Blower Housing |
| 261 | 30200 | 2 | Screw, 10-24 x 9/16" |
| 262 | 650831 | 2 | Screw, 1/4-20 x 1/2" |
| 275 | 35708 | 1 | Muffler (Incl. 277) |
| 277 | 650795 | 2 | Screw, 1/4-20 x 2-1/4" |
| 285 | 35000A | 1 | Starter Cup |
| 287 | 650926 | 2 | Screw, 8-32 x 21/64" |
| 290 | 34357 | 1 | Fuel Line |
| 292 | 26460 | 2 | Fuel Line Clamp |
| 300 | 35586 | 1 | Fuel Tank (Incl. 292 & 301) |
| 301 | 35355 | 1 | Fuel Cap |
| 311 | 27625 | 1 | Oil Fill Plug |
| 313 | 34080 | 1 | Spacer |
| 370K | 36695 | 1 | Starter Decal |
| 370D | 36534 | 1 | Caution Decal |
| 370A | 36261 | 1 | Lubrication Decal |
| 380 | 632733 | 1 | Carburetor (Incl. 184) |
| 390 | 590694 | 1 | Rewind Starter (NOTE: This engine could have been built with 590737 starter. Refer to the design of the rope pulley strength ribs for part identification. Individual starter parts do not interchange. Refer to service bulletin 116). |
| 400 | 36475 | 1 | * Gasket Set (Incl. items marked PK in notes) Incl. part #'s 26756 (1), 27234A (1), 33735 (1), 34265 (1), 34338 (1), 34690A (1), 35261 (1), 36437 (1) |
| 420 | 730225 | 1 | SAE 30 4-Cycle Engine Oil (1 Quart) |

ILLUSTRATION SHOWS TYPICAL PARTS ONLY, ORDER BY PART NUMBER. PARTS NOT LISTED ARE SUPPLIED BY OEM.



| Ref # | Part Number | Qty | Description |
|-------|-------------|-----|---|
| 238 | 650806 | 2 | Screw, 10-32 x 5/8" |
| 239 | 34338 | 1 | * Air Cleaner Gasket |
| 245 | 34340 | 1 | Air Cleaner Filter |
| 250 | 34341B | 1 | Air Cleaner Cover |
| 260 | 35491 | 1 | Blower Housing |
| 287 | 650926 | 2 | Screw, 8-32 x 21/64" |
| 300 | 35586 | 1 | Fuel Tank (Incl. 292 & 301) |
| 301 | 35355 | 1 | Fuel Cap |
| 390 | 590694 | 1 | Rewind Starter (NOTE: This engine could have been built with 590737 starter. Refer to the design of the rope pulley strength ribs for part identification. Individual starter parts do not interchange. Refer to service bulletin 116). |

ILLUSTRATION SHOWS TYPICAL PARTS ONLY. ORDER BY PART NUMBER. PARTS NOT LISTED ARE SUPPLIED BY OEM.



| Ref # | Part Number | Qty | Description |
|-------|-------------|-----|---------------------------------------|
| 19 | 31361 | 1 | Extension Spring |
| 69 | 35261 | 1 | * Mounting Flange Gasket |
| 70 | 30571C | 1 | Mounting Flange (Incl.72 thru 83,311) |
| 90 | 611112 | 1 | Flywheel |
| 182 | 6201 | 2 | Screw, 1/4-28 x 7/8" |
| 185 | 31384A | 1 | Intake Pipe (Incl. 224) |
| 186 | 32653 | 1 | Governor Link |
| 216 | 33086 | 1 | R.P.M. Adjusting Lever |
| 223 | 650451 | 2 | Screw, 1/4-20 x 1" |
| 238 | 650806 | 2 | Screw, 10-32 x 5/8" |
| 245 | 34340 | 1 | Air Cleaner Filter |
| 250 | 34341B | 1 | Air Cleaner Cover |
| 275 | 35708 | 1 | Muffler (Incl. 277) |
| 277 | 650795 | 2 | Screw, 1/4-20 x 2-1/4" |