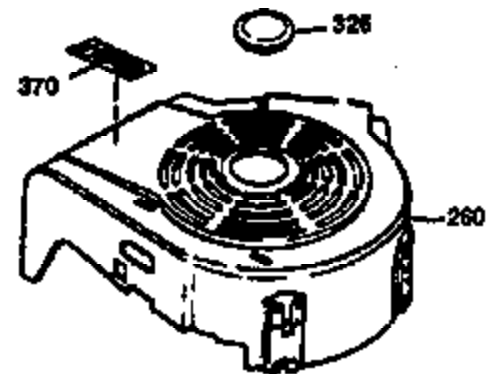
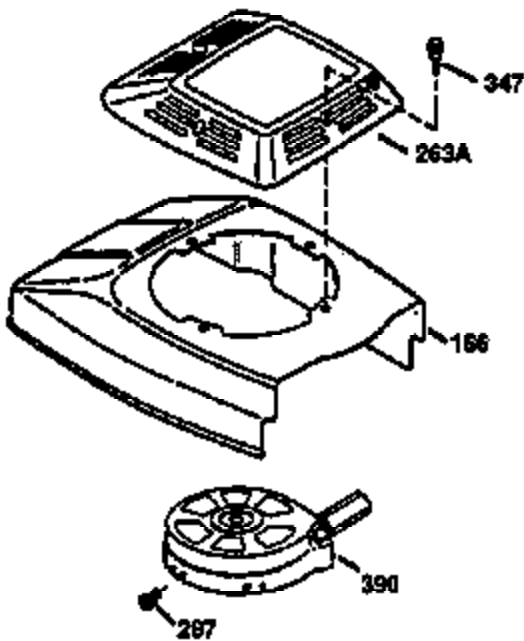
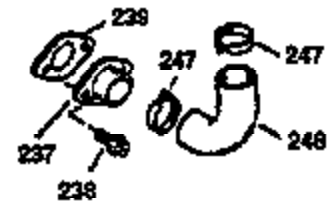
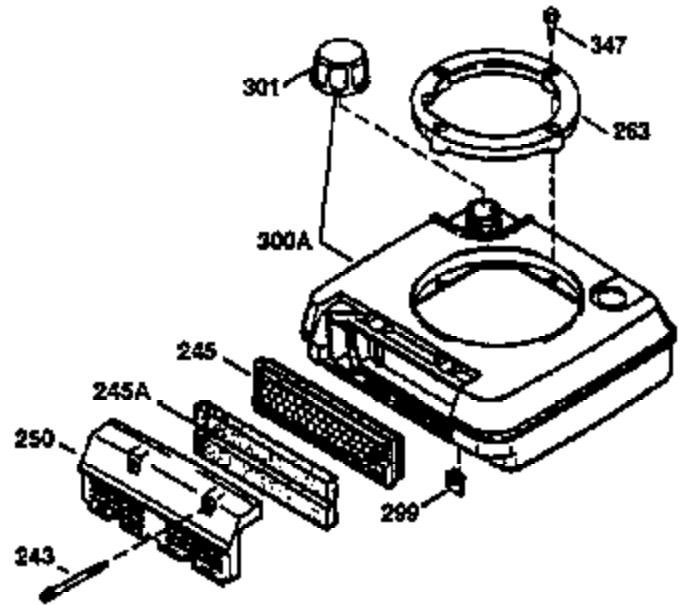
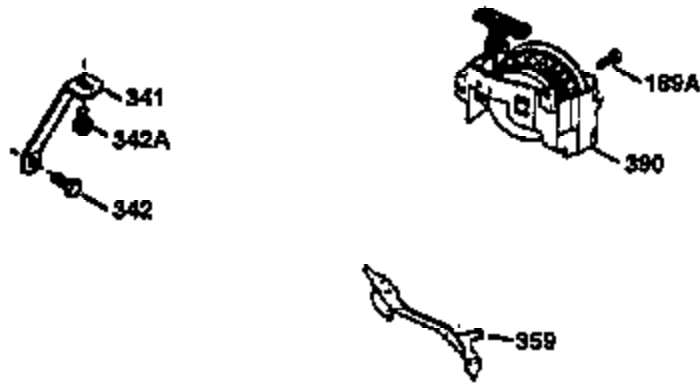
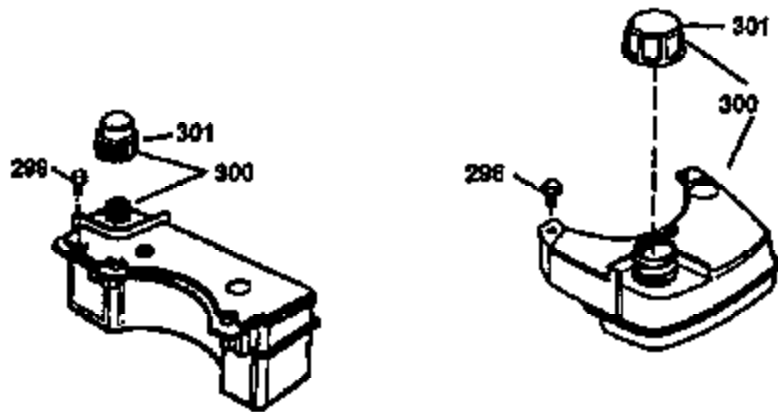


Ref #	Part Number	Qty	Description
1	36470	1	Cylinder (Incl. 2,8,9,20 & 125)
2	26727	2	Dowel Pin
6	33734	1	Breather Element
7	34214A	1	Breather Ass'y. (Incl. 6, 8, 9 & 12)
8	33735	1	* Breather Gasket
9	30200	2	Screw, 10-24 x 9/16"
12	33886	1	Breather Tube
14	28277	1	Washer
15	30589	1	Governor Rod (Incl. 14)
16	31383A	1	Governor Lever
17	31335	1	Governor Lever Clamp
18	650548	1	Screw, 8-32 x 5/16"
19	36281	1	Extension Spring
20	32600	1	Oil Seal
30	34473A	1	Crankshaft
40	34514	1	Piston, Pin & Ring Set (Std.)
40	34515	1	Piston, Pin & Ring Set (.010" OS)
40	34516	1	Piston, Pin & Ring Set (.020" OS)
41	32538B	1	Piston & Pin Ass'y. (Std.) (Incl. 43)
41	32548B	1	Piston & Pin Ass'y. (.010" OS) (Incl. 43)
41	32549B	1	Piston & Pin Ass'y. (.020" OS) (Incl. 43)
42	28986	1	Ring Set (Std.)
42	28987	1	Ring Set (.010" OS)
42	28988	1	Ring Set (.020" OS)
43	20381	2	Piston Pin Retaining Ring
45	30963B	1	Connecting Rod Ass'y. (Incl. 46)
46	32610A	2	Connecting Rod Bolt
48	27241	2	Valve Lifter
50	35990	1	Camshaft (BCR)
52	29914	1	Oil Pump Ass'y.
69	35261	1	* Mounting Flange Gasket
70	35651C	1	Mounting Flange (Incl.72 thru 83)
72	36083	1	Oil Drain Plug
75	26208	1	Oil Seal
80	30574A	1	Governor Shaft
81	30590A	1	Washer
82	30591	1	Governor Gear Ass'y. (Incl. 81)
83	30588A	1	Governor Spool
86	650488	6	Screw, 1/4-20 x 1-1/4"
89	611004	1	Flywheel Key
90	611112	1	Flywheel
92	650815	1	Belleville Washer
93	650816	1	Flywheel Nut
100	34443A	1	Solid State Ignition
101	610118	1	Spark Plug Cover
103	650814	2	Screw, Torx T-15, 10-24 x 1"
110	34961	1	Ground Wire
119	36437	1	* Cylinder Head Gasket
120	36474	1	Cylinder Head
125	36471	1	Exhaust Valve (Std.) (Incl. 151)
125	36472	1	Exhaust Valve (1/32" OS) (Incl. 151)
126	29314B	1	Intake Valve (Std.) (Incl. 151)
126	29315C	1	Intake Valve (1/32" OS) (Incl. 151)
130	6021A	8	Screw, 5/16-18 x 1-1/2"
135	35395	1	Resistor Spark Plug (RJ19LM)
150	35991	2	Valve Spring
151	31673	2	Valve Spring Cap
169	27234A	1	* Valve Cover Gasket

Ref #	Part Number	Qty	Description
172	32755	1	Valve Cover
174	30200	2	Screw, 10-24 x 9/16"
178	29752	2	Nut & Lock Washer, 1/4-28
182	6201	2	Screw, 1/4-28 x 7/8"
184	26756	1	* Carburetor To Intake Pipe Gasket
185	31384A	1	Intake Pipe (Incl. 224)
186	34337	1	Governor Link
189	650839	2	Screw, 1/4-20 x 3/8"
190	35831	1	Brake Lever
191	35039B	1	S.E. Brake Bracket (Incl. 195)
192	34966	1	Brake Control Link
193	34965	1	Brake Spring
194	32309	1	Retaining Ring
195	610973	1	Terminal
200	33131A	1	Control Bracket (Incl. 202 thru 205)
202	36482	1	Compression Spring
203	31342	1	Compression Spring
204	650549	1	Screw, 5-40 x 7/16"
205	650777	1	Screw, 6-32 x 21/32"
207	34336	1	Throttle Link
209	30200	2	Screw, 10-24 x 9/16"
210	27793	1	Conduit Clip
211	28942	1	Screw, 10-32 x 3/8"
223	650451	2	Screw, 1/4-20 x 1"
224	34690A	1	* Intake Pipe Gasket
238	650806	2	Screw, 10-32 x 5/8"
239	34338	1	* Air Cleaner Gasket
240	34858	1	Air Cleaner Body
245	34340	1	Air Cleaner Filter
250	34341B	1	Air Cleaner Cover
260	35484	1	Blower Housing
261	30200	2	Screw, 10-24 x 9/16"
262	650831	2	Screw, 1/4-20 x 1/2"
275	35993	1	Muffler
277	650957	2	Screw, 1/4-20 x 2-31/32"
285	35000	1	Starter Cup
287	650926	2	Screw, 8-32 x 21/64"
290	30705	1	Fuel Line
292	26460	2	Fuel Line Clamp
300	34476A	1	Fuel Tank (Incl. 292 & 301)
301	33032	1	Fuel Cap
305	35577	1	Oil Fill Tube
306	34265	1	* "O"-Ring
307	35499	1	"O"-Ring
309	650562	1	Screw, 10-32 x 1/2"
310	35578	1	Dipstick
313	34080	1	Spacer
327	35392	1	Starter Plug
370A	36261	1	Instruction Decal
380	632646	1	Carburetor (Incl. 184)
390	590694	1	Rewind Starter (NOTE: This engine could have been built with 590686 starter. Refer to the design of the air intake louvers for part identification. Individual starter parts do not interchange.)
400	36475	1	* Gasket Set (Incl. items marked PK in notes) Incl. part #'s 26756 (1), 27234A (1), 33735 (1), 34265 (1), 34338 (1), 34690A (1), 35261 (1), 36437 (1)

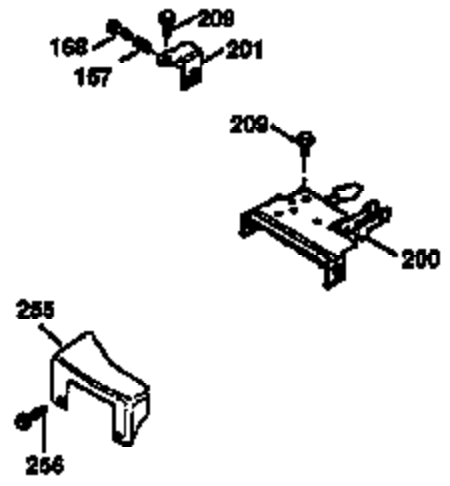
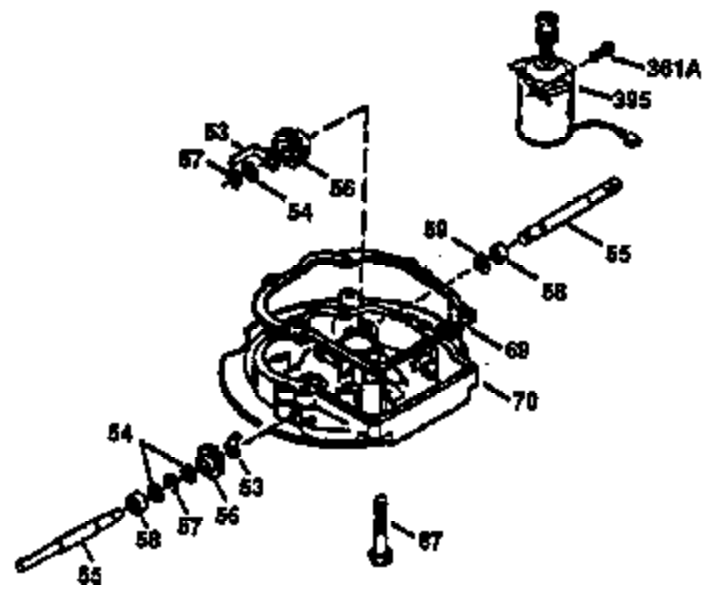
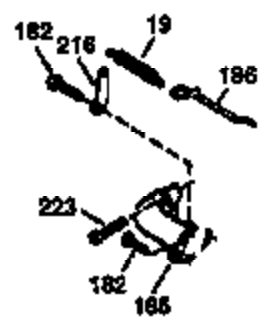
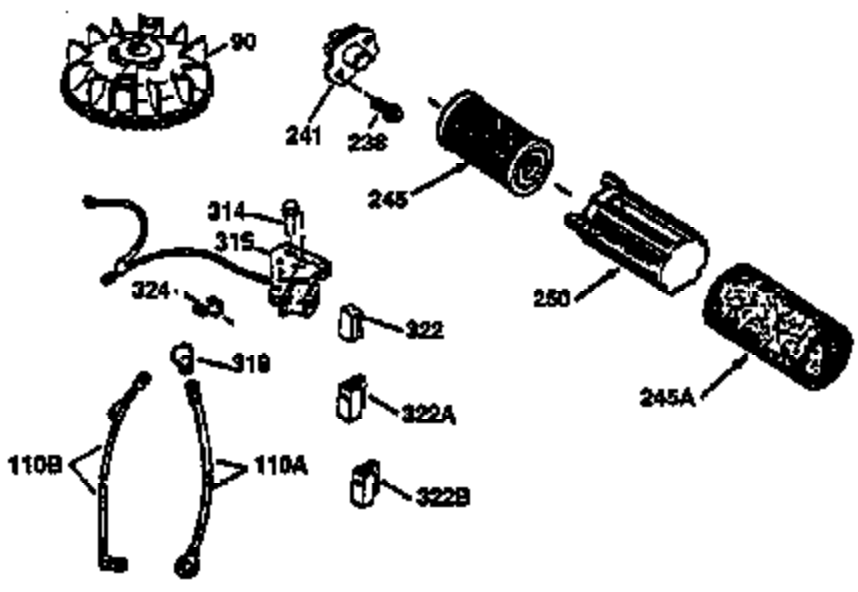
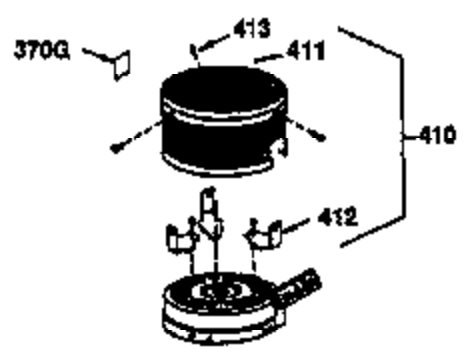
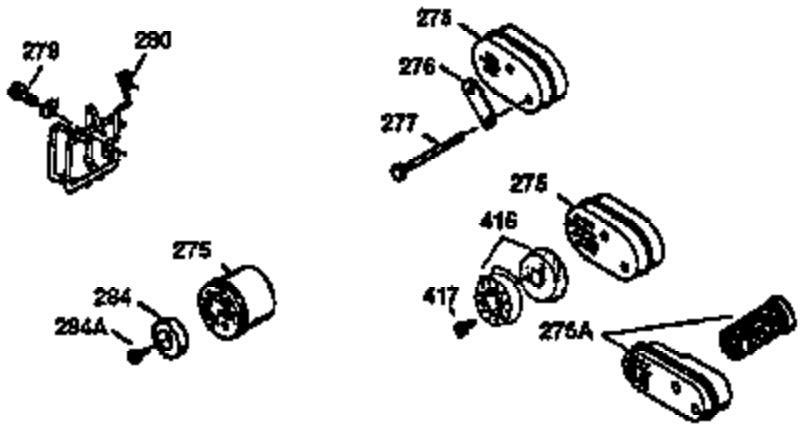
Ref #	Part Number	Qty	Description
420	730225	1	SAE 30 4-Cycle Engine Oil (1 Quart)

ILLUSTRATION SHOWS TYPICAL PARTS ONLY, ORDER BY PART NUMBER. PARTS NOT LISTED ARE SUPPLIED BY OEM.



Ref #	Part Number	Qty	Description
238	650806	2	Screw, 10-32 x 5/8"
239	34338	1	* Air Cleaner Gasket
245	34340	1	Air Cleaner Filter
250	34341B	1	Air Cleaner Cover
260	35484	1	Blower Housing
287	650926	2	Screw, 8-32 x 21/64"
298	28763	3	Screw, 10-32 x 35/64"
300	34476A	1	Fuel Tank (Incl. 292 & 301)
301	33032	1	Fuel Cap
370	36260	1	Primer Decal
390	590694	1	Rewind Starter (NOTE: This engine could have been built with 590686 starter. Refer to the design of the air intake louvers for part identification. Individual starter parts do not interchange.)

ILLUSTRATION SHOWS TYPICAL PARTS ONLY. ORDER BY PART NUMBER. PARTS NOT LISTED ARE SUPPLIED BY OEM.



Ref #	Part Number	Qty	Description
19	36281	1	Extension Spring
69	35261	1	* Mounting Flange Gasket
70	35651C	1	Mounting Flange (Incl.72 thru 83)
90	611112	1	Flywheel
182	6201	2	Screw, 1/4-28 x 7/8"
185	31384A	1	Intake Pipe (Incl. 224)
186	34337	1	Governor Link
200	33131A	1	Control Bracket (Incl. 202 thru 205)
209	30200	2	Screw, 10-24 x 9/16"
223	650451	2	Screw, 1/4-20 x 1"
238	650806	2	Screw, 10-32 x 5/8"
245	34340	1	Air Cleaner Filter
250	34341B	1	Air Cleaner Cover
275	35993	1	Muffler
276	35994	1	Locking Plate
277	650957	2	Screw, 1/4-20 x 2-31/32"
279	650956	3	Screw, Torx T-25, 12-24 x 49/64"
280	36510	1	Heat Shield