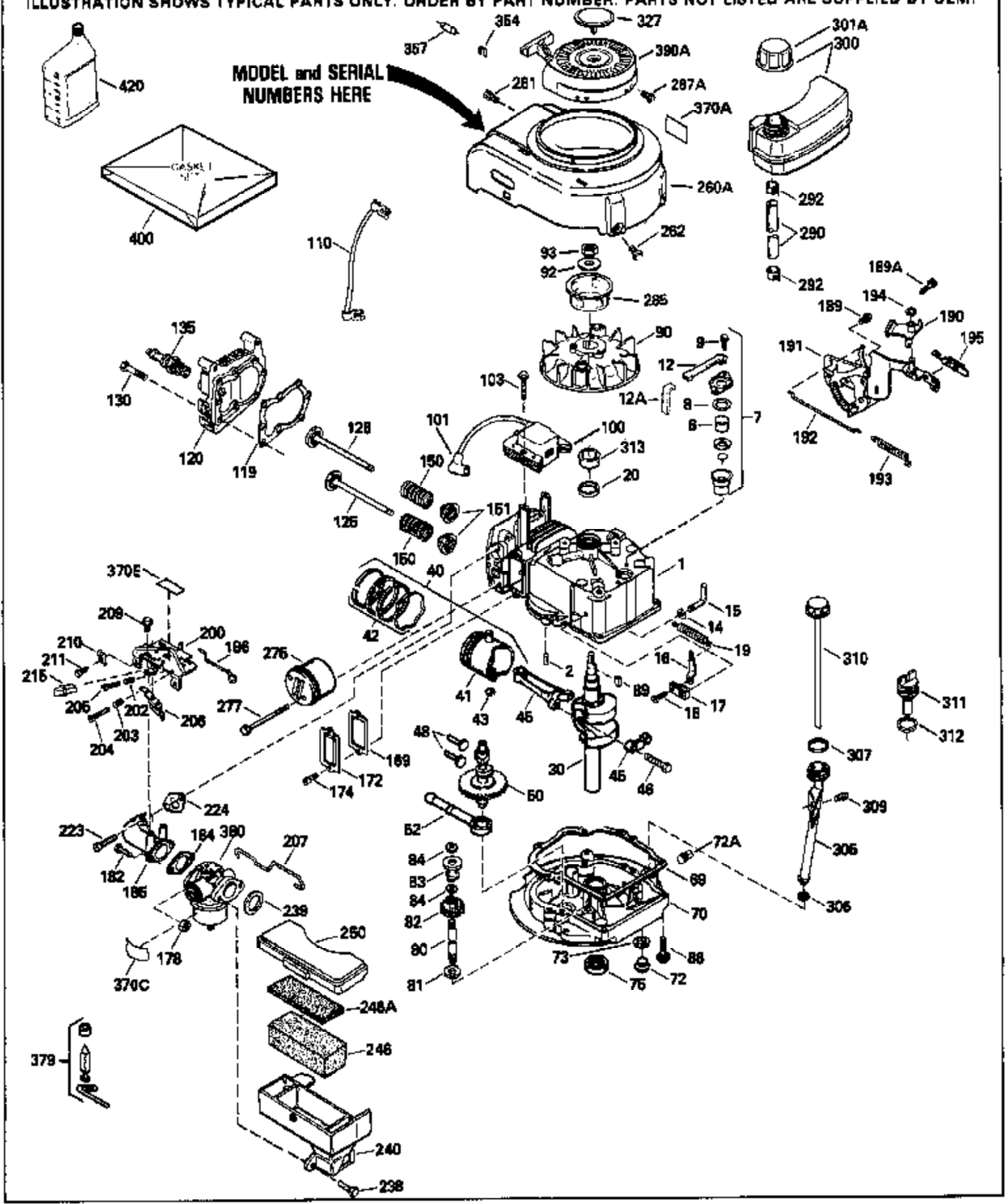


ILLUSTRATION SHOWS TYPICAL PARTS ONLY. ORDER BY PART NUMBER. PARTS NOT LISTED ARE SUPPLIED BY OEM.

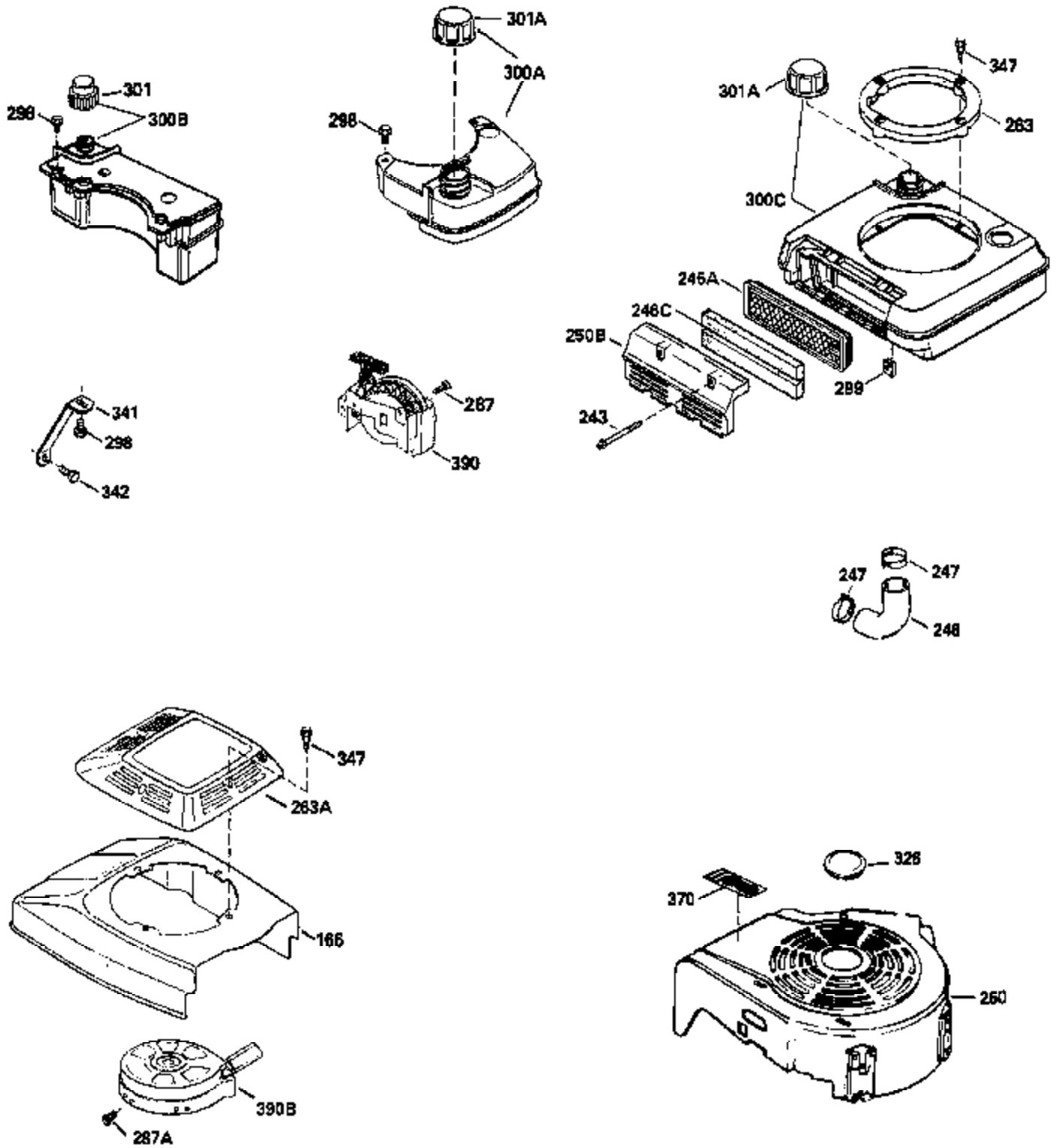
MODEL and SERIAL  
NUMBERS HERE



| Ref # | Part Number | Qty | Description                               |
|-------|-------------|-----|---|
|       | 1 36470A    | 1   | Cylinder (Incl. 2,7,20 & 125)             |
|       | 2 26727     | 2   | Dowel Pin                                 |
|       | 6 33734     | 1   | Breather Element                          |
|       | 7 36557     | 1   | Breather Body Ass'y. (Incl. 6 & 12)       |
|       | 12 36558    | 1   | Breather Cover & Tube                     |
|       | 14 28277    | 1   | Washer                                    |
|       | 15 30589    | 1   | Governor Rod (Incl. 14)                   |
|       | 16 31383A   | 1   | Governor Lever                            |
|       | 17 31335    | 1   | Governor Lever Clamp                      |
|       | 18 650548   | 1   | Screw, 8-32 x 5/16"                       |
|       | 19 36281    | 1   | Extension Spring                          |
|       | 20 32600    | 1   | Oil Seal                                  |
|       | 30 36231    | 1   | Crankshaft                                |
|       | 40 34514    | 1   | Piston, Pin & Ring Set (Std.)             |
|       | 40 34515    | 1   | Piston, Pin & Ring Set (.010" OS)         |
|       | 40 34516    | 1   | Piston, Pin & Ring Set (.020" OS)         |
|       | 41 32538B   | 1   | Piston & Pin Ass'y. (Std.) (Incl. 43)     |
|       | 41 32548B   | 1   | Piston & Pin Ass'y. (.010" OS) (Incl. 43) |
|       | 41 32549B   | 1   | Piston & Pin Ass'y. (.020" OS) (Incl. 43) |
|       | 42 28986    | 1   | Ring Set (Std.)                           |
|       | 42 28987    | 1   | Ring Set (.010" OS)                       |
|       | 42 28988    | 1   | Ring Set (.020" OS)                       |
|       | 43 20381    | 2   | Piston Pin Retaining Ring                 |
|       | 45 30963B   | 1   | Connecting Rod Ass'y. (Incl. 46)          |
|       | 46 32610A   | 2   | Connecting Rod Bolt                       |
|       | 48 27241    | 2   | Valve Lifter                              |
|       | 50 35990    | 1   | Camshaft (BCR)                            |
|       | 52 29914    | 1   | Oil Pump Ass'y.                           |
|       | 69 35261    | 1   | * Mounting Flange Gasket                  |
|       | 70 36232A   | 1   | Mounting Flange (Incl. 72 thru 83)        |
|       | 72 30572    | 1   | Oil Drain Plug (Incl. 73)                 |
|       | 72A 28534   | 1   | Oil Drain Plug                            |
|       | 73 28833    | 1   | Drain Plug Gasket                         |
|       | 75 27897    | 1   | Oil Seal                                  |
|       | 80 30574A   | 1   | Governor Shaft                            |
|       | 81 30590A   | 1   | Washer                                    |
|       | 82 30591    | 1   | Governor Gear Ass'y. (Incl. 81)           |
|       | 83 30588A   | 1   | Governor Spool                            |
|       | 86 650488   | 6   | Screw, 1/4-20 x 1-1/4"                    |
|       | 89 611004   | 1   | Flywheel Key                              |
|       | 90 611112   | 1   | Flywheel                                  |
|       | 92 650815   | 1   | Belleville Washer                         |
|       | 93 650816   | 1   | Flywheel Nut                              |
|       | 100 34443A  | 1   | Solid State Ignition                      |
|       | 103 651007  | 2   | Screw, Torx T-15, 10-24 x 15/16"          |
|       | 110A 36230  | 1   | Ground Wire                               |
|       | 110 34961   | 1   | Ground Wire                               |
|       | 119 36437   | 1   | * Cylinder Head Gasket                    |
|       | 120 36474   | 1   | Cylinder Head                             |
|       | 125 36471   | 1   | Exhaust Valve (Std.) (Incl. 151)          |
|       | 125 36472   | 1   | Exhaust Valve (1/32" OS) (Incl. 151)      |
|       | 126 29314B  | 1   | Intake Valve (Std.) (Incl. 151)           |
|       | 126 29315C  | 1   | Intake Valve (1/32" OS) (Incl. 151)       |
|       | 130 6021A   | 8   | Screw, 5/16-18 x 1-1/2"                   |
|       | 135 35395   | 1   | Resistor Spark Plug (RJ19LM)              |
|       | 150 35991   | 2   | Valve Spring                              |
|       | 151 31673   | 2   | Valve Spring Cap                          |
|       | 169 27234A  | 1   | * Valve Cover Gasket                      |

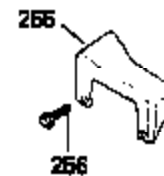
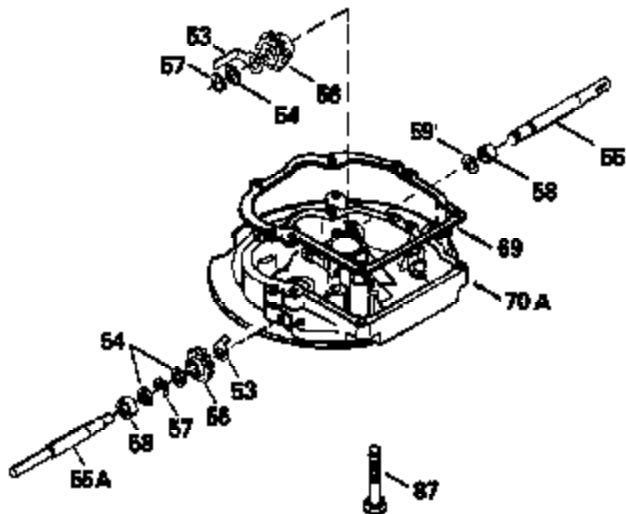
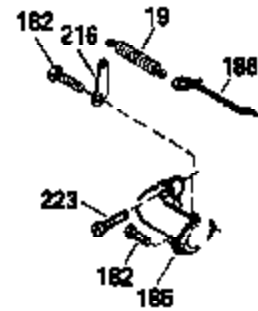
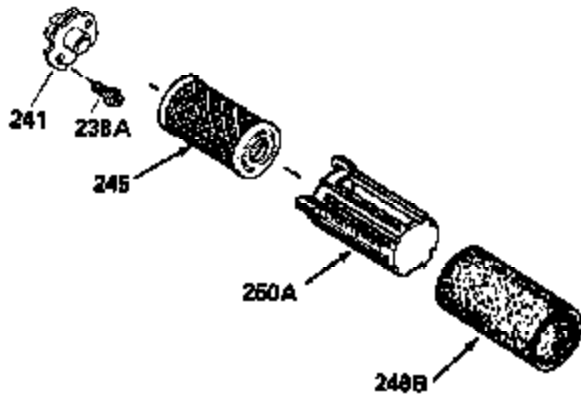
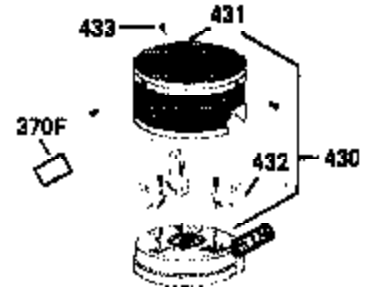
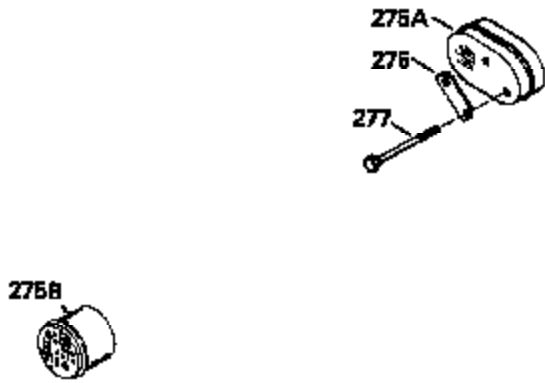
| Ref # | Part Number | Qty | Description  |
|-------|-------------|-----|--|
| 172   | 32755       | 1   | Valve Cover  |
| 174   | 30200       | 2   | Screw, 10-24 x 9/16"   |
| 178   | 29752       | 2   | Nut & Lock Washer, 1/4-28  |
| 179   | 30593       | 1   | Retainer Clip  |
| 182   | 6201        | 2   | Screw, 1/4-28 x 7/8"   |
| 184   | 26756       | 1   | * Carburetor To Intake Pipe Gasket   |
| 185   | 31384A      | 1   | Intake Pipe (Incl. 224)  |
| 186   | 34337       | 1   | Governor Link  |
| 189   | 650839      | 2   | Screw, 1/4-20 x 3/8"   |
| 191   | 36559       | 1   | S.E. Brake Bracket (Incl. 195)   |
| 195   | 610973      | 1   | Terminal   |
| 200   | 35727       | 1   | Control Bracket (Incl. 202 thru 206)   |
| 202   | 36482       | 1   | Compression Spring   |
| 203   | 31342       | 1   | Compression Spring   |
| 204   | 650549      | 1   | Screw, 5-40 x 7/16"  |
| 205   | 650777      | 1   | Screw, 6-32 x 21/32"   |
| 206   | 610973      | 1   | Terminal   |
| 207   | 34336       | 1   | Throttle Link  |
| 209   | 30200       | 2   | Screw, 10-24 x 9/16"   |
| 215   | 32410       | 1   | Control Knob   |
| 223   | 650451      | 2   | Screw, 1/4-20 x 1"   |
| 224   | 34690A      | 1   | * Intake Pipe Gasket   |
| 238   | 650806      | 2   | Screw, 10-32 x 5/8"  |
| 239   | 34338       | 1   | * Air Cleaner Gasket   |
| 240   | 34858       | 1   | Air Cleaner Body   |
| 250   | 34341B      | 1   | Air Cleaner Cover  |
| 261   | 30200       | 2   | Screw, 10-24 x 9/16"   |
| 262   | 650831      | 2   | Screw, 1/4-20 x 1/2"   |
| 275   | 36456A      | 1   | Muffler (Incl. 277)  |
| 277   | 650988      | 2   | Screw, 1/4-20 x 2-5/16"  |
| 284A  | 650760      | 1   | Screw, 8-32 x 3/8"   |
| 284   | 36663       | 1   | Muffler Deflector (Incl. 284A)   |
| 285   | 35000A      | 1   | Starter Cup  |
| 290   | 34357       | 1   | Fuel Line  |
| 292   | 26460       | 2   | Fuel Line Clamp  |
| 300   | 35586       | 1   | Fuel Tank (Incl. 292 & 301)  |
| 311   | 27625       | 1   | Oil Fill Plug (Incl. 312)  |
| 312   | 29673       | 1   | Oil Fill Plug Gasket   |
| 313   | 34080       | 1   | Spacer   |
| 324   | 33177       | 1   | Terminal   |
| 327   | 35392       | 1   | Starter Plug   |
| 370A  | 36261       | 1   | Lubrication Decal  |
| 370B  | 36507       | 1   | Control Decal  |
| 380   | 632670      | 1   | Carburetor (Incl. 184)   |
| 400   | 36475       | 1   | * Gasket Set (Incl. items marked PK i n notes) Incl. part #'s<br>26756 (1), 27234A (1), 33735 (1), 34265 (1), 34338 (1),<br>34690A (1), 35261 (1), 36437 (1) |
| 416   | 36085       | 1   | Spark Arrestor Kit (Incl. 417)(Optional)   |
| 417   | 650760      | 1   | Screw, 8-32 x 3/8" (Optional)  |
| 420   | 730225      | 1   | SAE 30 4-Cycle Engine Oil (1 Quart)  |

ILLUSTRATION SHOWS TYPICAL PARTS ONLY. ORDER BY PART NUMBER. PARTS NOT LISTED ARE SUPPLIED BY OEM.



| Ref # | Part Number | Qty | Description   |
|-------|-------------|-----|---|
| 110A  | 36230       | 1   | Ground Wire   |
| 179   | 30593       | 1   | Retainer Clip   |
| 260   | 35491       | 1   | Blower Housing  |
| 284A  | 650760      | 1   | Screw, 8-32 x 3/8"  |
| 284   | 36663       | 1   | Muffler Deflector (Incl. 284A)  |
| 287   | 650926      | 2   | Screw, 8-32 x 21/64"  |
| 301   | 36246       | 1   | Fuel Cap  |
| 324   | 33177       | 1   | Terminal  |
| 370   | 550223      | 1   | Name Decal  |
| 370B  | 36507       | 1   | Control Decal   |
| 390   | 590732      | 1   | Rewind Starter (NOTE: This engine could have been built with 590688 starter. Refer to the design of the air intake louvers for part identification. Individual starter parts do not interchange.) |
| 416   | 36085       | 1   | Spark Arrestor Kit (Incl. 417)(Optional)  |
| 417   | 650760      | 1   | Screw, 8-32 x 3/8" (Optional)   |

ILLUSTRATION SHOWS TYPICAL PARTS ONLY. ORDER BY PART NUMBER. PARTS NOT LISTED ARE SUPPLIED BY OEM.



| Ref # | Part Number | Qty | Description  |
|-------|-------------|-----|--|
|       | 19 36281    | 1   | Extension Spring   |
|       | 69 35261    | 1   | * Mounting Flange Gasket                                     |
| 110A  | 36230       | 1   | Ground Wire  |
|       | 179 30593   | 1   | Retainer Clip  |
|       | 182 6201    | 2   | Screw, 1/4-28 x 7/8"   |
|       | 185 31384A  | 1   | Intake Pipe (Incl. 224)                                      |
|       | 186 34337   | 1   | Governor Link  |
|       | 209 30200   | 2   | Screw, 10-24 x 9/16"   |
|       | 223 650451  | 2   | Screw, 1/4-20 x 1"   |
|       | 245 34340   | 1   | Air Cleaner Filter   |
| 275A  | 36664       | 1   | Spark Arrestor Muffler (Optional) (Incl. 284,284A,416 & 417) |
|       | 277 650988  | 2   | Screw, 1/4-20 x 2-5/16"                                      |
|       | 284 36663   | 1   | Muffler Deflector (Incl. 284A)                               |
| 284A  | 650760      | 1   | Screw, 8-32 x 3/8"   |
|       | 324 33177   | 1   | Terminal   |
| 370B  | 36507       | 1   | Control Decal  |
|       | 416 36085   | 1   | Spark Arrestor Kit (Incl. 417)(Optional)                     |
|       | 417 650760  | 1   | Screw, 8-32 x 3/8" (Optional)                                |