



Ref #	Part Number	Qty	Description
	1 36470A	1	Cylinder (Incl. 2,7,20 & 125)
	2 26727	2	Dowel Pin
	6 33734	1	Breather Element
	7 36557	1	Breather Body Ass'y. (Incl. 6 & 12)
	12 36558	1	Breather Cover & Tube
	14 28277	1	Washer
	15 31513	1	Governor Rod (Incl. 14)
	16 31383A	1	Governor Lever
	17 31335	1	Governor Lever Clamp
	18 650548	1	Screw, 8-32 x 5/16"
	19 35998	1	Extension Spring
	20 32600	1	Oil Seal
	30 34769A	1	Crankshaft
	40 34514	1	Piston, Pin & Ring Set (Std.)
	40 34515	1	Piston, Pin & Ring Set (.010" OS)
	40 34516	1	Piston, Pin & Ring Set (.020" OS)
	41 32538B	1	Piston & Pin Ass'y. (Std.) (Incl. 43)
	41 32548B	1	Piston & Pin Ass'y. (.010" OS) (Incl. 43)
	41 32549B	1	Piston & Pin Ass'y. (.020" OS) (Incl. 43)
	42 28986	1	Ring Set (Std.)
	42 28987	1	Ring Set (.010" OS)
	42 28988	1	Ring Set (.020" OS)
	43 20381	2	Piston Pin Retaining Ring
	45 30963B	1	Connecting Rod Ass'y. (Incl. 46)
	46 32610A	2	Connecting Rod Bolt
	48 27241	2	Valve Lifter
	50 33639	1	Camshaft (BCR)
	52 29914	1	Oil Pump Ass'y.
	69 35261	1	* Mounting Flange Gasket
	70 33535C	1	Mounting Flange (Incl. 58,72 thru 83)
	72A 28534	1	Oil Drain Plug
	72 36083	1	Oil Drain Plug
	75 26208	1	Oil Seal
	80 30574A	1	Governor Shaft
	81 30590A	1	Washer
	82 30591	1	Governor Gear Ass'y. (Incl. 81)
	83 30588A	1	Governor Spool
	86 650488	5	Screw, 1/4-20 x 1-1/4"
	89 611004	1	Flywheel Key
	90 611112	1	Flywheel
	92 650815	1	Belleville Washer
	93 650816	1	Flywheel Nut
	100 34443A	1	Solid State Ignition
	101 610118	1	Spark Plug Cover
	103 651007	2	Screw, Torx T-15, 10-24 x 15/16"
	110 34961	1	Ground Wire
	119 36437	1	* Cylinder Head Gasket
	120 36474	1	Cylinder Head
	125 36471	1	Exhaust Valve (Std.) (Incl. 151)
	125 36472	1	Exhaust Valve (1/32" OS) (Incl. 151)
	126 29314B	1	Intake Valve (Std.) (Incl. 151)
	126 29315C	1	Intake Valve (1/32" OS) (Incl. 151)
	130 6021A	8	Screw, 5/16-18 x 1-1/2"
	135 35395	1	Resistor Spark Plug (RJ19LM)
	150 35991	2	Valve Spring
	151 31673	2	Valve Spring Cap
	169 27234A	1	* Valve Cover Gasket
	172 32755	1	Valve Cover

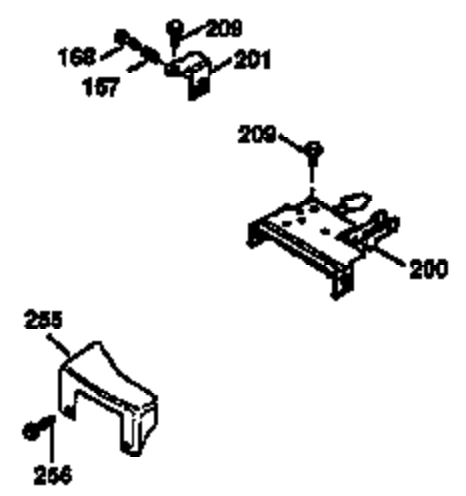
Ref #	Part Number	Qty	Description
174	30200	2	Screw, 10-24 x 9/16"
178	29752	2	Nut & Lock Washer, 1/4-28
182	6201	2	Screw, 1/4-28 x 7/8"
184	26756	1	* Carburetor To Intake Pipe Gasket
185	31384A	1	Intake Pipe (Incl. 224)
186	36255	1	Governor Link
189	650839	2	Screw, 1/4-20 x 3/8"
191	36559	1	S.E. Brake Bracket (Incl. 195)
195	610973	1	Terminal
200	35999	1	Control Bracket
207	36200	1	Throttle Link
209	30200	2	Screw, 10-24 x 9/16"
223	650451	2	Screw, 1/4-20 x 1"
224	34690A	1	* Intake Pipe Gasket
238	650806	2	Screw, 10-32 x 5/8"
239	34338	1	* Air Cleaner Gasket
240	34858	1	Air Cleaner Body
245	34340	1	Air Cleaner Filter
250	34341B	1	Air Cleaner Cover
260	35484	1	Blower Housing
261	30200	2	Screw, 10-24 x 9/16"
262	650831	2	Screw, 1/4-20 x 1/2"
275	35708	1	Muffler (Incl. 277)
277	650795	2	Screw, 1/4-20 x 2-1/4"
285	35000A	1	Starter Cup
287	650926	2	Screw, 8-32 x 21/64"
290	30705	1	Fuel Line
292	26460	2	Fuel Line Clamp
300	34476A	1	Fuel Tank (Incl. 292 & 301)
301	33032	1	Fuel Cap
305	35577	1	Oil Fill Tube
306	34265	1	* "O"-Ring
307	35499	1	"O"-Ring
309	650562	1	Screw, 10-32 x 1/2"
310	35578	1	Dipstick
313	34080	1	Spacer
327	35392	1	Starter Plug
370A	36261	1	Lubrication Decal
380	632646	1	Carburetor (Incl. 184)
390	590694	1	Rewind Starter (NOTE: This engine could have been built with 590686 starter. Refer to the design of the air intake louvers for part identification. Individual starter parts do not interchange.)
400	36475	1	* Gasket Set (Incl. items marked PK i n notes) Incl. part #'s 26756 (1), 27234A (1), 33735 (1), 34265 (1), 34338 (1), 34690A (1), 35261 (1), 36437 (1)
420	730225	1	SAE 30 4-Cycle Engine Oil (1 Quart)

ILLUSTRATION SHOWS TYPICAL PARTS ONLY, ORDER BY PART NUMBER. PARTS NOT LISTED ARE SUPPLIED BY OEM.



Ref #	Part Number	Qty	Description
238	650806	2	Screw, 10-32 x 5/8"
239	34338	1	* Air Cleaner Gasket
245	34340	1	Air Cleaner Filter
250	34341B	1	Air Cleaner Cover
260	35484	1	Blower Housing
287	650926	2	Screw, 8-32 x 21/64"
298	28763	3	Screw, 10-32 x 35/64"
300	34476A	1	Fuel Tank (Incl. 292 & 301)
301	33032	1	Fuel Cap
390	590694	1	Rewind Starter (NOTE: This engine could have been built with 590686 starter. Refer to the design of the air intake louvers for part identification. Individual starter parts do not interchange.)

ILLUSTRATION SHOWS TYPICAL PARTS ONLY. ORDER BY PART NUMBER. PARTS NOT LISTED ARE SUPPLIED BY OEM.



Ref #	Part Number	Qty	Description
19	35998	1	Extension Spring
53	31745	1	Tang Washer
54	31747	1	Washer
55	35218A	1	P.T.O. Shaft
56	33401	1	R.H. Worm Gear
57	33537	1	Retainer Ring
58	31744	1	Oil Seal
69	35261	1	* Mounting Flange Gasket
70	33535C	1	Mounting Flange (Incl. 58,72 thru 83)
87	650492	1	Screw, 1/4-20 x 2-1/4"
90	611112	1	Flywheel
182	6201	2	Screw, 1/4-28 x 7/8"
185	31384A	1	Intake Pipe (Incl. 224)
186	36255	1	Governor Link
200	35999	1	Control Bracket
209	30200	2	Screw, 10-24 x 9/16"
223	650451	2	Screw, 1/4-20 x 1"
238	650806	2	Screw, 10-32 x 5/8"
245	34340	1	Air Cleaner Filter
250	34341B	1	Air Cleaner Cover
275	35708	1	Muffler (Incl. 277)
277	650795	2	Screw, 1/4-20 x 2-1/4"