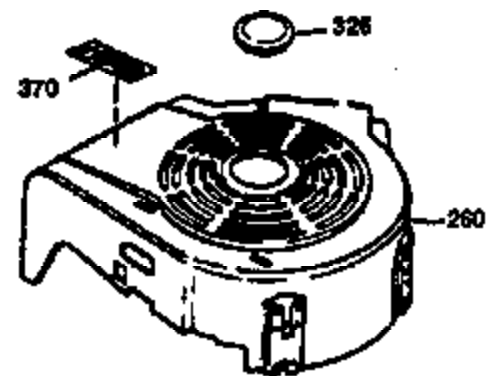
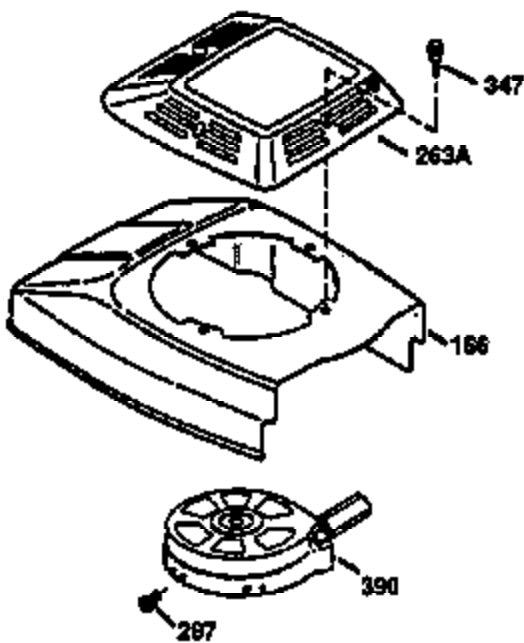
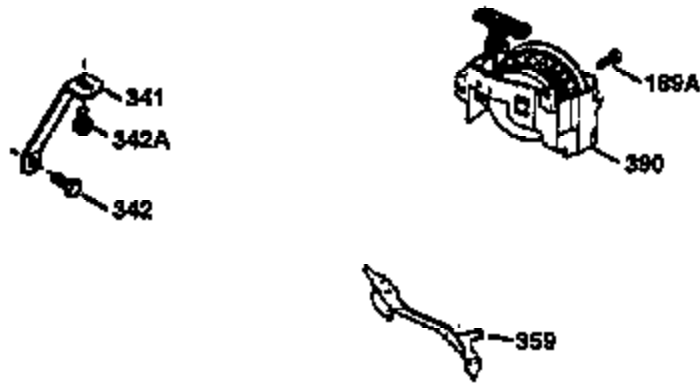
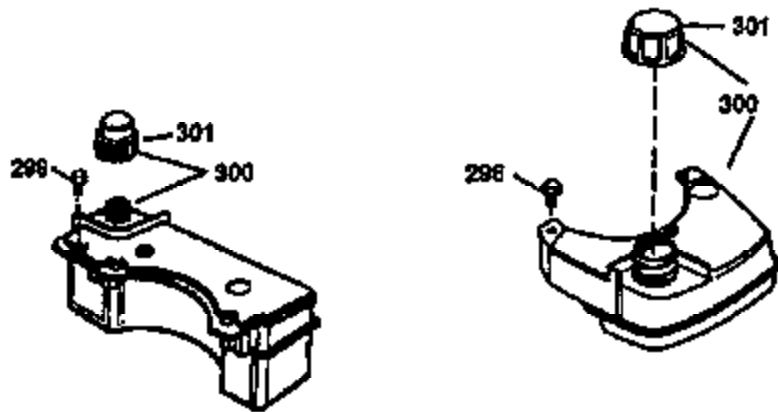




| Ref # | Part Number | Qty | Description                               |
|-------|-------------|-----|---|
|       | 1 36470A    | 1   | Cylinder (Incl. 2,7,20,125,169,172,17 4)  |
|       | 2 26727     | 2   | Dowel Pin                                 |
|       | 6 33734     | 1   | Breather Element                          |
|       | 7 36557     | 1   | Breather Ass'y. (Incl. 6 & 12A)           |
| 12B   | 34695       | 1   | Breather Tube Elbow                       |
| 12A   | 36558       | 1   | Breather Cover & Tube (Incl. 12B)         |
|       | 14 28277    | 1   | Washer                                    |
|       | 15 30589    | 1   | Governor Rod (Incl. 14)                   |
|       | 16 32651    | 1   | Governor Lever                            |
|       | 17 31335    | 1   | Governor Lever Clamp                      |
|       | 18 651018   | 1   | Screw, Torx T-15, 8-32 x 19/64"           |
|       | 19 36281    | 1   | Extension Spring                          |
|       | 20 32600    | 1   | Oil Seal                                  |
|       | 30 36737    | 1   | Crankshaft                                |
|       | 40 34514    | 1   | Piston, Pin & Ring Set (Std.)             |
|       | 40 34515    | 1   | Piston, Pin & Ring Set (.010" OS)         |
|       | 40 34516    | 1   | Piston, Pin & Ring Set (.020" OS)         |
|       | 41 32538B   | 1   | Piston & Pin Ass'y. (Std.) (Incl. 43)     |
|       | 41 32548B   | 1   | Piston & Pin Ass'y. (.010" OS) (Incl. 43) |
|       | 41 32549B   | 1   | Piston & Pin Ass'y. (.020" OS) (Incl. 43) |
|       | 42 28986    | 1   | Ring Set (Std.)                           |
|       | 42 28987    | 1   | Ring Set (.010" OS)                       |
|       | 42 28988    | 1   | Ring Set (.020" OS)                       |
|       | 43 20381    | 2   | Piston Pin Retaining Ring                 |
|       | 45 30963B   | 1   | Connecting Rod Ass'y. (Incl. 46)          |
|       | 46 32610A   | 2   | Connecting Rod Bolt                       |
|       | 48 27241    | 2   | Valve Lifter                              |
|       | 50 35992    | 1   | Camshaft (MCR)                            |
|       | 52 29914    | 1   | Oil Pump Ass'y.                           |
|       | 69 35261    | 1   | * Mounting Flange Gasket                  |
|       | 70 30571C   | 1   | Mounting Flange (Incl.72 thru 83)         |
| 72A   | 28534       | 1   | Oil Drain Plug                            |
|       | 72 36083    | 1   | Oil Drain Plug                            |
|       | 75 26208    | 1   | Oil Seal                                  |
|       | 80 30574A   | 1   | Governor Shaft                            |
|       | 81 30590A   | 1   | Washer                                    |
|       | 82 30591    | 1   | Governor Gear Ass'y. (Incl. 81)           |
|       | 83 30588A   | 1   | Governor Spool                            |
|       | 86 650488   | 6   | Screw, 1/4-20 x 1-1/4"                    |
|       | 89 611004   | 1   | Flywheel Key                              |
|       | 90 611112   | 1   | Flywheel                                  |
|       | 92 650815   | 1   | Belleville Washer                         |
|       | 93 650816   | 1   | Flywheel Nut                              |
| 100   | 34443A      | 1   | Solid State Ignition                      |
| 101   | 610118      | 1   | Spark Plug Cover                          |
| 103   | 651007      | 2   | Screw, Torx T-15, 10-24 x 15/16"          |
| 110   | 36230       | 1   | Ground Wire                               |
| 119   | 36437       | 1   | * Cylinder Head Gasket                    |
| 120   | 36474       | 1   | Cylinder Head                             |
| 125   | 36471       | 1   | Exhaust Valve (Std.) (Incl. 151)          |
| 125   | 36472       | 1   | Exhaust Valve (1/32" OS) (Incl. 151)      |
| 126   | 29314B      | 1   | Intake Valve (Std.) (Incl. 151)           |
| 126   | 29315C      | 1   | Intake Valve (1/32" OS) (Incl. 151)       |
| 130   | 6021A       | 8   | Screw, 5/16-18 x 1-1/2"                   |
| 135   | 35395       | 1   | Resistor Spark Plug (RJ19LM)              |
| 150   | 35991       | 2   | Valve Spring                              |
| 151   | 31673       | 2   | Valve Spring Cap                          |
| 169   | 27234A      | 1   | * Valve Cover Gasket                      |

| Ref # | Part Number | Qty | Description   |
|-------|-------------|-----|---|
| 172   | 32755       | 1   | Valve Cover   |
| 174   | 30200       | 2   | Screw, 10-24 x 9/16"  |
| 178   | 29752       | 2   | Nut & Lock Washer, 1/4-28   |
| 179   | 30593       | 1   | Retainer Clip   |
| 182   | 6201        | 2   | Screw, 1/4-28 x 7/8"  |
| 184   | 26756       | 1   | * Carburetor To Intake Pipe Gasket  |
| 185   | 36544       | 1   | Intake Pipe   |
| 186   | 34337       | 1   | Governor Link   |
| 200   | 33205A      | 1   | Control Bracket (Incl. 202 thru 206)  |
| 202   | 36482       | 1   | Compression Spring  |
| 203   | 31342       | 1   | Compression Spring  |
| 204   | 650549      | 1   | Screw, 5-40 x 7/16"   |
| 205   | 650777      | 1   | Screw, 6-32 x 21/32"  |
| 206   | 610973      | 1   | Terminal  |
| 207   | 34336       | 1   | Throttle Link   |
| 209   | 30200       | 2   | Screw, 10-24 x 9/16"  |
| 215   | 32410       | 1   | Control Knob  |
| 223   | 650451      | 2   | Screw, 1/4-20 x 1"  |
| 224   | 34690A      | 1   | * Intake Pipe Gasket  |
| 238   | 650932      | 2   | Screw, 10-32 x 49/64"   |
| 239   | 34338       | 1   | * Air Cleaner Gasket  |
| 245   | 35066       | 1   | Air Cleaner Filter  |
| 250   | 35986       | 1   | Air Cleaner Cover   |
| 260   | 35478       | 1   | Blower Housing  |
| 261   | 30200       | 2   | Screw, 10-24 x 9/16"  |
| 262   | 650831      | 2   | Screw, 1/4-20 x 1/2"  |
| 275   | 36473       | 1   | Muffler (Incl. 277)   |
| 277   | 650988      | 2   | Screw, 1/4-20 x 2-5/16"   |
| 285   | 35000A      | 1   | Starter Cup   |
| 287   | 650926      | 2   | Screw, 8-32 x 21/64"  |
| 290   | 34357       | 1   | Fuel Line   |
| 292   | 26460       | 2   | Fuel Line Clamp   |
| 300   | 35586       | 1   | Fuel Tank (Incl. 292 & 301)   |
| 301   | 35355       | 1   | Fuel Cap  |
| 311   | 27625       | 1   | Oil Fill Plug   |
| 313   | 34080       | 1   | Spacer  |
| 370B  | 35169       | 1   | Control Decal   |
| 370A  | 36261       | 1   | Lubrication Decal   |
| 370K  | 36695       | 1   | Starter Decal   |
| 380   | 632670      | 1   | Carburetor (Incl. 184)  |
| 390   | 590732      | 1   | Rewind Starter (NOTE: This engine could have been built with 590738 starter. Refer to the design of the rope pulley strength ribs for part identification. Individual starter parts do not interchange. Refer to service bulletin 116.) |
| 400   | 36475       | 1   | * Gasket Set (Incl. items marked PK in notes) Incl. part #'s 26756 (1), 27234A (1), 33735 (1), 36832 (1), 34338 (1), 34690A (1), 35261 (1), 36437 (1)   |
| 420   | 730225      | 1   | SAE 30 4-Cycle Engine Oil (1 Quart)   |

ILLUSTRATION SHOWS TYPICAL PARTS ONLY, ORDER BY PART NUMBER. PARTS NOT LISTED ARE SUPPLIED BY OEM.



| Ref # | Part Number | Qty | Description   |
|-------|-------------|-----|---|
| 238   | 650932      | 2   | Screw, 10-32 x 49/64"   |
| 239   | 34338       | 1   | * Air Cleaner Gasket  |
| 245   | 35066       | 1   | Air Cleaner Filter  |
| 250   | 35986       | 1   | Air Cleaner Cover   |
| 260   | 35478       | 1   | Blower Housing  |
| 287   | 650926      | 2   | Screw, 8-32 x 21/64"  |
| 300   | 35586       | 1   | Fuel Tank (Incl. 292 & 301)   |
| 301   | 35355       | 1   | Fuel Cap  |
| 390   | 590732      | 1   | Rewind Starter (NOTE: This engine could have been built with 590738 starter. Refer to the design of the rope pulley strength ribs for part identification. Individual starter parts do not interchange. Refer to service bulletin 116.) |

ILLUSTRATION SHOWS TYPICAL PARTS ONLY. ORDER BY PART NUMBER. PARTS NOT LISTED ARE SUPPLIED BY OEM.



| Ref # | Part Number | Qty | Description                              |
|-------|-------------|-----|--|
| 19    | 36281       | 1   | Extension Spring                         |
| 69    | 35261       | 1   | * Mounting Flange Gasket                 |
| 70    | 30571C      | 1   | Mounting Flange (Incl.72 thru 83)        |
| 90    | 611112      | 1   | Flywheel                                 |
| 182   | 6201        | 2   | Screw, 1/4-28 x 7/8"                     |
| 185   | 36544       | 1   | Intake Pipe                              |
| 186   | 34337       | 1   | Governor Link                            |
| 200   | 33205A      | 1   | Control Bracket (Incl. 202 thru 206)     |
| 209   | 30200       | 2   | Screw, 10-24 x 9/16"                     |
| 223   | 650451      | 2   | Screw, 1/4-20 x 1"                       |
| 238   | 650932      | 2   | Screw, 10-32 x 49/64"                    |
| 241   | 35797       | 1   | Air Cleaner Collar                       |
| 245   | 35066       | 1   | Air Cleaner Filter                       |
| 250   | 35986       | 1   | Air Cleaner Cover                        |
| 275   | 36473       | 1   | Muffler (Incl. 277)                      |
| 277   | 650988      | 2   | Screw, 1/4-20 x 2-5/16"                  |
| 416   | 36085       | 1   | Spark Arrestor Kit (Incl. 417)(Optional) |
| 417   | 650760      | 1   | Screw, 8-32 x 3/8" (Optional)            |