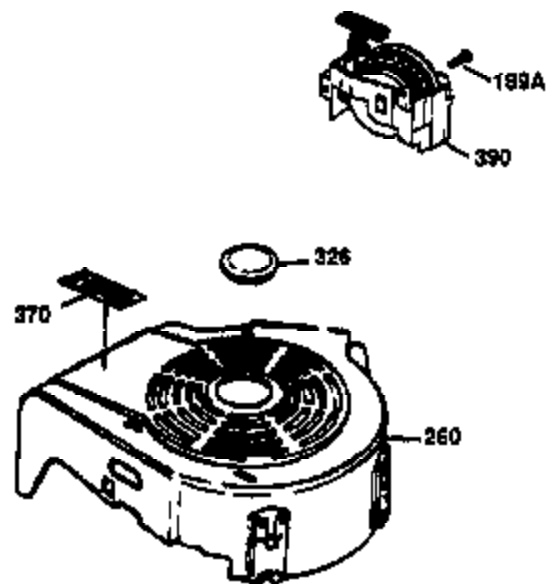
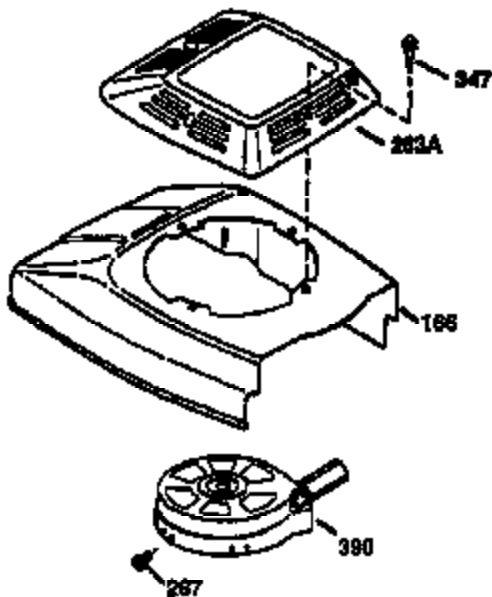
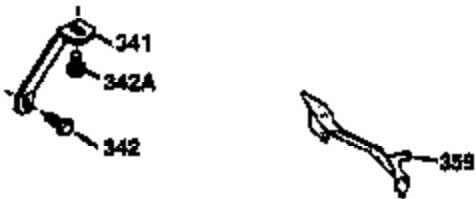
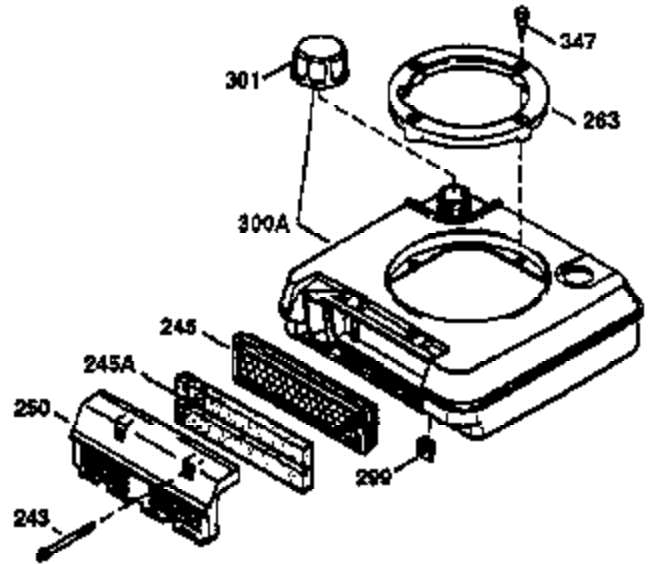
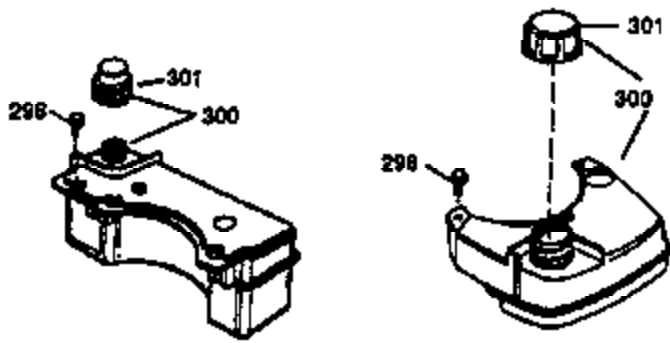


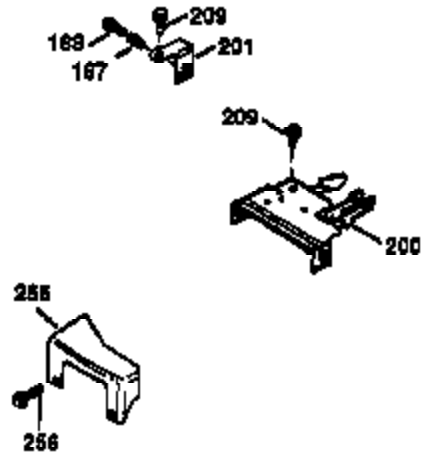
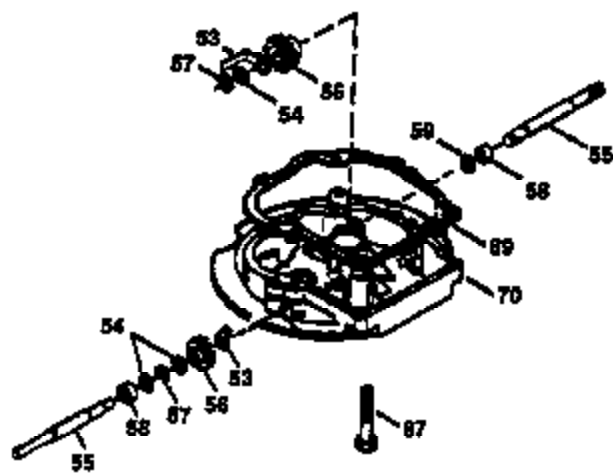
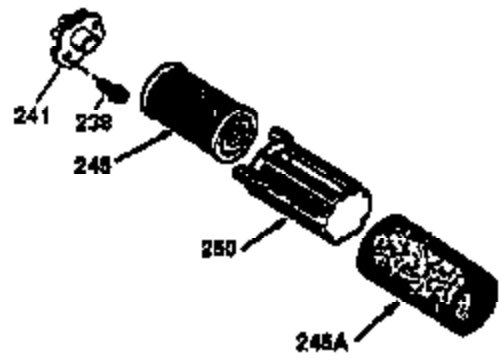
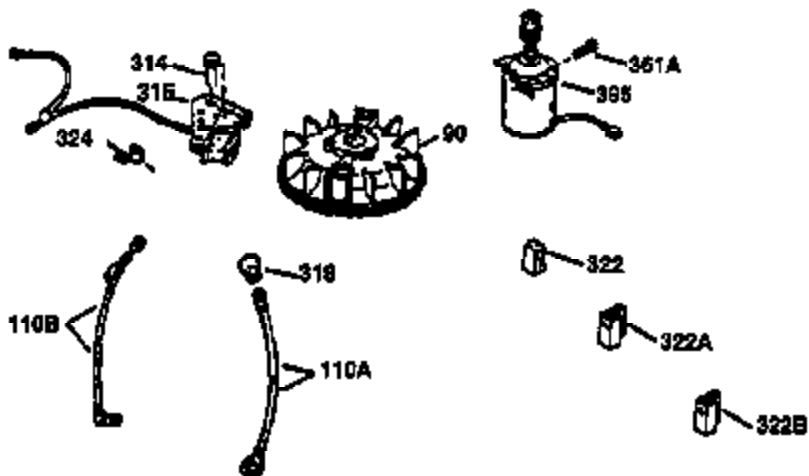
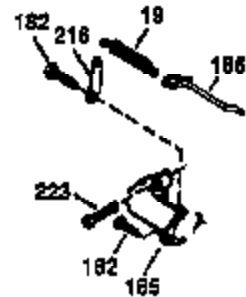
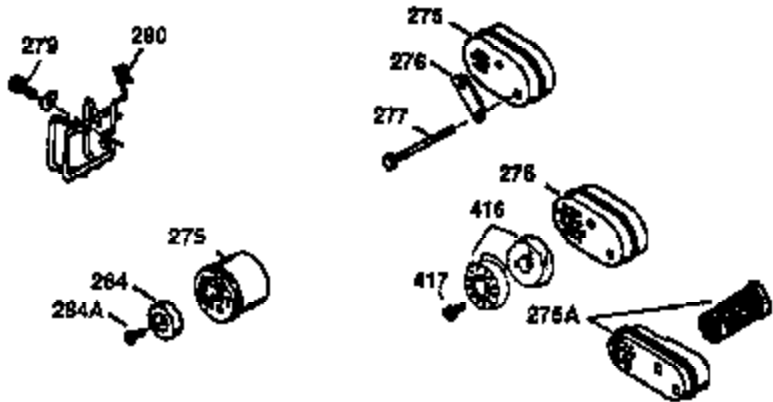


Ref #	Part Number	Qty	Description
	1 36487A	1	Cylinder (Incl. 2 & 20)
	2 26727	2	Dowel Pin
	6 33734	1	Breather Element
	7 36557	1	Breather Ass'y. (Incl. 6 & 12A)
12A	36558	1	Breather Cover & Tube
	14 28277	1	Washer
	15 30589	1	Governor Rod (Incl. 14)
	16 34839A	1	Governor Lever
	17 31335	1	Governor Lever Clamp
	18 651018	1	Screw, Torx T-15, 8-32 x 19/64"
	19 36281	1	Extension Spring
	20 32600	1	Oil Seal
	30 37311	1	Crankshaft
	40 34514	1	Piston, Pin & Ring Set (Std.)
	40 34515	1	Piston, Pin & Ring Set (.010" OS)
	40 34516	1	Piston, Pin & Ring Set (.020" OS)
	41 32538B	1	Piston & Pin Ass'y. (Std.) (Incl. 43)
	41 32548B	1	Piston & Pin Ass'y. (.010" OS) (Incl. 43)
	41 32549B	1	Piston & Pin Ass'y. (.020" OS) (Incl. 43)
	42 28986	1	Ring Set (Std.)
	42 28987	1	Ring Set (.010" OS)
	42 28988	1	Ring Set (.020" OS)
	43 20381	2	Piston Pin Retaining Ring
	45 30963B	1	Connecting Rod Ass'y. (Incl. 46)
	46 32610A	2	Connecting Rod Bolt
	48 27241	2	Valve Lifter
	50 35992	1	Camshaft (MCR)
	52 29914	1	Oil Pump Ass'y.
	69 35261	1	* Mounting Flange Gasket
	70 35651E	1	Mounting Flange (Incl. 72 thru 83,306 )
	72 36083	1	Oil Drain Plug
	75 26208	1	Oil Seal
	80 30574A	1	Governor Shaft
	81 30590A	1	Washer
	82 30591	1	Governor Gear Ass'y. (Incl. 81)
	83 30588A	1	Governor Spool
	86 650488	6	Screw, 1/4-20 x 1-1/4"
	89 611004	1	Flywheel Key
	90 611112	1	Flywheel
	92 650815	1	Belleville Washer
	93 650816	1	Flywheel Nut
	100 34443C	1	Solid State Ignition
101A	611283	1	Spark Plug Shield
	103 651007	2	Screw, Torx T-15, 10-24 x 15/16"
	110 36230	1	Ground Wire
	119 36437	1	* Cylinder Head Gasket
	120 36474	1	Cylinder Head
	125 36471	1	Exhaust Valve (Std.) (Incl. 151)
	125 36472	1	Exhaust Valve (1/32" OS) (Incl. 151)
	126 29314C	1	Intake Valve (Std.) (Incl. 151)
	130 6021A	8	Screw, 5/16-18 x 1-1/2"
	135 35395	1	Resistor Spark Plug (RJ19LM)
	150 31672	2	Valve Spring
	151 31673	2	Valve Spring Cap
	169 27234A	1	* Valve Cover Gasket
	172 32755	1	Valve Cover
	174 30200	2	Screw, 10-24 x 9/16"
	178 29752	2	Nut & Lock Washer, 1/4-28

Ref #	Part Number	Qty	Description
179	30593	1	Retainer Clip
182	6201	2	Screw, 1/4-28 x 7/8"
184	26756	1	* Carburetor To Intake Pipe Gasket
185	36544	1	Intake Pipe
186	34337	1	Governor Link
189	650356	1	Screw, T-30, 1/4-20 x 3/8"
200	33131A	1	Control Bracket (Incl. 202 thru 206)
202	36482	1	Compression Spring
203	31342	1	Compression Spring
204	651029	1	Screw, Torx T-10, 5-40 x 7/16"
205	651019	1	Screw, Torx T-10, 6-32 x 41/64"
206	610973	1	Terminal
207	34336	1	Throttle Link
209	30200	2	Screw, 10-24 x 9/16"
210	27793	1	Conduit Clip
211	28942	1	Screw, 10-32 x 3/8"
223	650451	2	Screw, 1/4-20 x 1"
224	34690A	1	* Intake Pipe Gasket
238	650806	2	Screw, 10-32 x 5/8"
239	34338	1	* Air Cleaner Gasket
240	36743	1	Air Cleaner Body (Black)
245A	36746	1	Air Filter (Pre)
245	36745	1	Air Filter
250	36744	1	Air Cleaner Cover (Black)
260	37430	1	Blower Housing
261	30200	2	Screw, 10-24 x 9/16"
262	650831	2	Screw, 1/4-20 x 1/2"
275	36491A	1	Muffler (Incl. 277)
277	650988	2	Screw, 1/4-20 x 2-5/16"
281	37211	1	Guard Cover
285	35000A	1	Starter Cup
287	650926	1	Screw, 8-32 x 21/64"
287	650926	1	Screw, T-30, 1/4-20 x 3/8"
287	650926	2	Screw, 8-32 x 21/64"
290	34357	1	Fuel Line
292	26460		Fuel Line Clamp
292	26460	2	Fuel Line Clamp
300	36757	1	Fuel Tank (Incl. 292 & 301)
301	36246	1	Fuel Cap
305	35577	1	Oil Fill Tube
306	36996	1	* "O"-Ring
307	35499	1	"O"-Ring
309	650562	1	Screw, 10-32 x 1/2"
310	35578	1	Dipstick
313	34080	1	Spacer
370K	36695	1	40 Emblem Decal
370C	37199	1	Primer Decal
370D	35977	1	Instruction Decal
370A	36261	1	Lubrication Decal
380	632795	1	Carburetor (Incl. 184)
390	590732	1	Rewind Starter (NOTE: This engine could have been built with 590738 starter).
400	36475B	1	* Gasket Set (Incl. items marked PK in notes) Incl. part #'s 26756 (1), 27234A (1), 33735 (1), 34338 (1), 34690A (1), 35261 (1), 36437 (1), 36832 (1), 36996 (1), 37130 (1)
420	730225A	1	SAE 30 4-Cycle Engine Oil (1 Quart)



Ref #	Part Number	Qty	Description
101A	611283	1	Spark Plug Shield
238	650806	2	Screw, 10-32 x 5/8"
239	34338	1	* Air Cleaner Gasket
245	36745	1	Air Filter
245A	36746	1	Air Filter (Pre)
250	36744	1	Air Cleaner Cover (Black)
260	37430	1	Blower Housing
263A	37197	1	Starter Grille
287	650926	1	Screw, 8-32 x 21/64"
287	650926	1	Screw, T-30, 1/4-20 x 3/8"
287	650926	2	Screw, 8-32 x 21/64"
298	28763	3	Screw, 10-32 x 35/64"
300	36757	1	Fuel Tank (Incl. 292 & 301)
301	36246	1	Fuel Cap
359	36773	1	Flywheel Guard
390	590732	1	Rewind Starter (NOTE: This engine could have been built with 590738 starter).



Ref #	Part Number	Qty	Description
	19 36281	1	Extension Spring
	69 35261	1	* Mounting Flange Gasket
	70 35651E	1	Mounting Flange (Incl. 72 thru 83,306 )
	90 611112	1	Flywheel
101A	611283	1	Spark Plug Shield
	182 6201	2	Screw, 1/4-28 x 7/8"
	185 36544	1	Intake Pipe
	186 34337	1	Governor Link
	200 33131A	1	Control Bracket (Incl. 202 thru 206)
	209 30200	2	Screw, 10-24 x 9/16"
	223 650451	2	Screw, 1/4-20 x 1"
	238 650806	2	Screw, 10-32 x 5/8"
	245 36745	1	Air Filter
245A	36746	1	Air Filter (Pre)
	250 36744	1	Air Cleaner Cover (Black)
275A	36664	1	Spark Arrestor Muffler (Optional) (Incl. 284,284A,416,417)
	275 36491A	1	Muffler (Incl. 277)
	277 650988	2	Screw, 1/4-20 x 2-5/16"
	284 36663	1	Muffler Deflector (Incl. 284A)(Optional)
284A	650821	1	Screw, 10-32 x 1/2" (Optional)
	416 36085	1	Spark Arrestor Kit (Incl. 417)(Optional)
	417 650821	1	Screw, 10-32 x 1/2" (Optional)