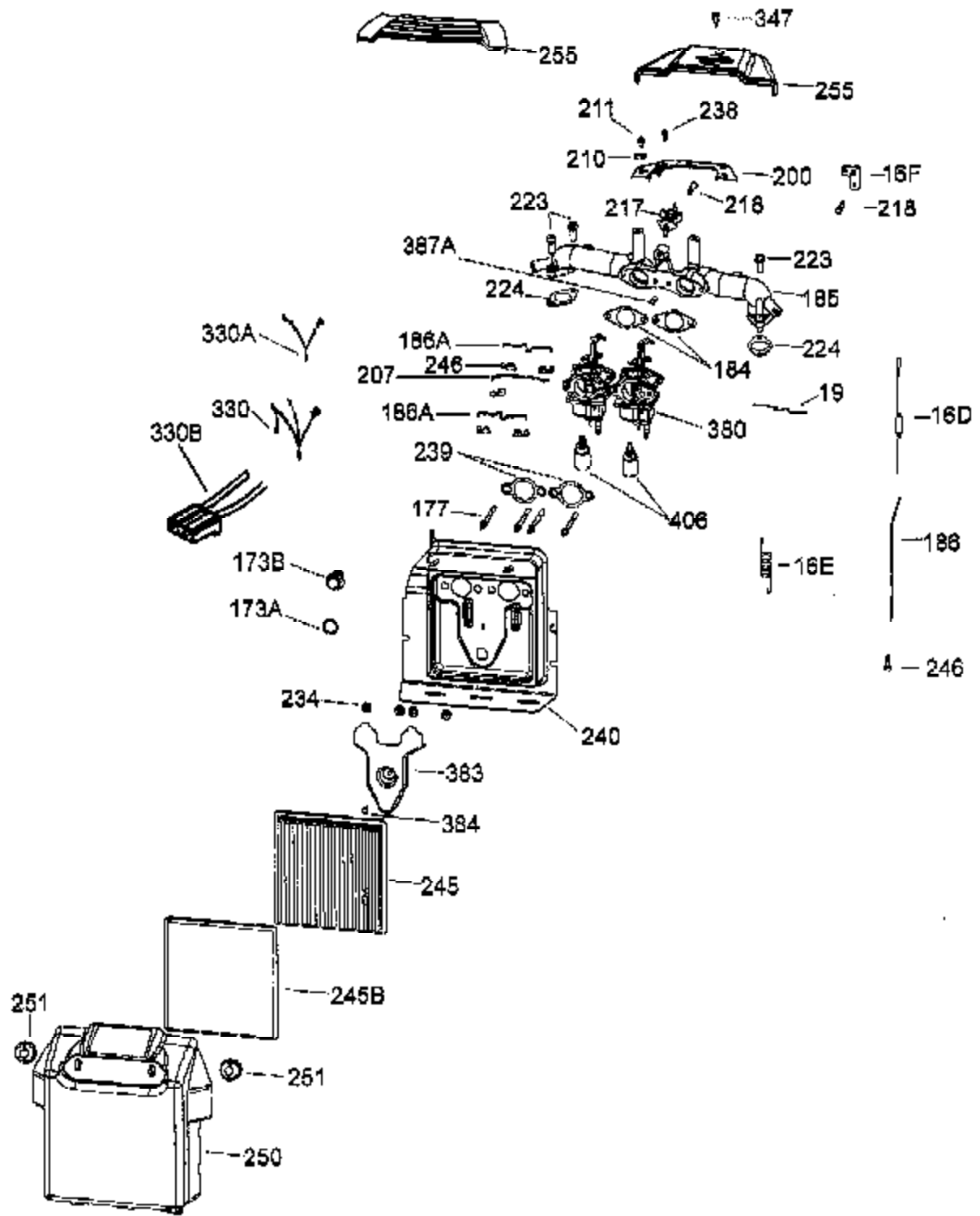


| Ref # | Part Number | Qty | Description |
|-------|-------------|-----|---|
| | 1 0 | 1 | Cylinder (Machined) (Order engine if replacement is needed) |
| | 2 27652 | 2 | Dowel Pin |
| | 11 36302 | 1 | Check Valve |
| | 11B 650902 | 1 | Screw, 10-32 x 7/16" |
| | 11A 36303 | 1 | Breather Plate |
| | 14 37363 | 1 | Washer |
| | 15B 650738 | 1 | Screw, 1/4-20 x 5/8" |
| | 15 37364 | 1 | Governor Rod |
| | 16A 37414 | 1 | Governor Spring Bracket |
| | 16 37413 | 1 | Governor Lever |
| | 17C 37429 | 1 | Breather Tube Clamp |
| | 30 37371 | 1 | Crankshaft |
| | 35 651069 | 1 | Screw, Carriage 1/4-20 x 1-1/2" |
| | 37 650456 | 1 | Lock Nut, 1/4-20 |
| | 38 37365 | 1 | Retaining Ring |
| | 40 40040 | 1 | Piston, Pin & Ring Set (Std.) |
| | 40 40041 | 1 | Piston, Pin & Ring Set (.010"OS) |
| | 41 40038 | 1 | Piston & Pin Ass'y. (Std.) (Incl. 43) |
| | 41 40039 | 1 | Piston & Pin Ass'y.(.010"OS)(Incl.43) |
| | 42 40013 | 1 | Ring Set (Std.) |
| | 42 40014 | 1 | Ring Set (.010"OS) |
| | 43 27888 | 2 | Piston Pin Retaining Ring |
| | 45 37372 | 1 | Connecting Rod Ass'y. (Incl. 46) |
| | 46 651063 | 4 | Connecting Rod Bolt |
| | 48 37373 | 4 | Valve Lifter |
| | 50 37374 | 1 | Camshaft (MCR) |
| | 52D 650888 | 3 | Screw, T-30, 1/4-20 x 43/64" |
| | 52C 36334 | 1 | Oil Pump Cover (Incl. 52B) |
| | 52B 36333 | 1 | "O" Ring |
| | 52F 37384 | 1 | Oil Pump Gear Retaining Ring |
| | 52A 37382 | 1 | Oil Pump Shaft |
| | 52E 37383 | 1 | Oil Pump Gear |
| | 52 37305 | 1 | Oil Pump Ass'y. |
| | 60A 651015 | 1 | Screw, 1/4-20 x 1-1/8" |
| | 60A 650773 | 4 | Screw, 1/4-20 x 1/2" |
| | 69 37377 | 1 | * Mounting Flange Gasket |
| | 70 37378 | 1 | Mounting Flange (Incl. 72,72A,75,80,3 81-387) |
| | 72 31927 | 2 | Oil Drain Plug |
| | 72B 28534 | 1 | Oil Drain Plug |
| | 72A 28483 | 1 | Oil Drain Plug, 3/8-18 |
| | 75 36301 | 2 | Oil Seal (1 in Ref 1, 1 in Ref 70) |
| | 75A 37369 | 1 | Oil Seal (Governor Shaft) |
| | 80 37379 | 1 | Governor Shaft |
| | 81 37381 | 1 | Washer (Governor Shaft) |
| | 82 37380 | 1 | Governor Gear Ass'y. |
| | 83 35322 | 1 | Governor Spool |
| | 84 29193 | 1 | Retaining Ring |
| | 86 651064 | 9 | Screw, 5/16-18 x 1-15/32" |
| | 89 650592 | 1 | Flywheel Key |
| | 90 611243 | 1 | Flywheel (Incl. 91 & 91A) |
| | 91 611241 | 1 | Flywheel Fan |
| | 91A 611242 | 1 | Flywheel Retainer |
| | 92 650182 | 1 | Lock Washer, Flywheel (Under Ref. 93) |
| | 93 650594 | 1 | Flywheel Nut |
| | 100 37395 | 2 | Solid State Ignition (Incl. 101) |
| | 101 610118 | 2 | Spark Plug Cover |
| | 102 651024 | 4 | Solid State Mounting Stud |
| | 103 651007 | 6 | Screw, T-15, 10-24 x 15/16" |

| Ref # | Part Number | Qty | Description |
|-------|-------------|-----|---|
| | 119 37388 | 2 | * Cylinder Head Gasket |
| | 120A 37389 | 1 | Cylinder Head, Breather Side |
| | 120 37387 | 1 | Cylinder Head, Opp. Breather Side |
| | 125 36934 | 2 | Exhaust Valve (Std.) |
| | 126 36935 | 2 | Intake Valve (Std) |
| | 127 650691 | 12 | Flat Washer |
| | 128 650690 | 12 | Belleville Washer |
| | 130 650697A | 12 | Screw, 5/16-18 x 2-1/2"(Head Mount) |
| | 135 34645 | 2 | Spark Plug (RN4C) |
| | 150 33507 | 4 | Valve Spring |
| | 151 33508 | 4 | Valve Keeper Retainer & Cap Set |
| | 151A 35862 | 2 | Valve Seal |
| | 153 37390 | 2 | Push Rod Guide |
| | 154 650945 | 1 | Rocker Arm Stud |
| | 155 35950 | 1 | Rocker Arm |
| | 158 37391 | 4 | Push Rod |
| | 159 35952 | 2 | * Rocker Arm Cover Gasket |
| | 160 35953A | 1 | Rocker Arm Cover, Opp. Breather Side |
| | 160A 37392 | 1 | Rocker Arm Cover, Breather Side |
| | 161 30063 | 10 | Screw, T-30 1/4-20 x 1/2" |
| | 161A 651034 | 2 | Stud, Valve Cover Mounting |
| | 162 650947 | 1 | Rocker Arm Jam Nut, 5/16-24 |
| | 163 650890 | 4 | Internal Lock Washer, 5/16" |
| | 169 37367 | 1 | * Valve Cover Gasket |
| | 171 37366 | 1 | Breather Element |
| | 172 37368 | 1 | Valve Cover |
| | 173 37393 | 1 | Breather Tube |
| | 212 37370 | 4 | Bushing |
| | 253A 37424 | 1 | Compression Release Pin |
| | 253 37376 | 1 | Compression Release Weight |
| | 254 37375 | 1 | Compression Release Spring |
| | 260 37398 | 1 | Blower Housing (Red) |
| | 261 650737 | 3 | Screw, 1/4-20 x 1/2" |
| | 265 37627 | 1 | Cylinder Head Cover, Opp. Breather |
| | 265A 37628 | 1 | Cylinder Head Cover, Breather Side |
| | 270A 35829A | 2 | Exhaust Port Liner |
| | 286 37394 | 1 | Flywheel Screen |
| | 287 651066 | 4 | Screw, T-20 8-18 x 1-15/32" |
| | 290 30962 | 1 | Fuel Line (16.75") |
| | 291B 29774 | 2 | Fuel Line (1.56") |
| | 291C 34357 | 1 | Fuel Line (6-3/4") |
| | 291A 29774 | 1 | Fuel Line (4.50") |
| | 292A 37399 | 1 | Fuel Line Retainer |
| | 292 26460 | 2 | Fuel Line Clamp |
| | 292 26460 | 6 | Fuel Line Clamp |
| | 293 35787 | 1 | Pulse Pump |
| | 293A 650931 | 2 | Screw, 8-32 x 1-1/2" |
| | 295A 37422 | 1 | Fuel Fitting |
| | 296 34279B | 1 | Fuel Filter ((Incl. 292) |
| | 303 32958 | 1 | Pulse Pump/Fuel Fitting |
| | 305 36349 | 1 | Oil Fill Tube |
| | 306 37401 | 1 | * O-Ring (Oil Fill, Bottom) |
| | 307 35499 | 1 | O-Ring Oil Fill, Top) |
| | 309 650974 | 1 | Screw, 1/4-20 x 57/64" |
| | 310 37421 | 1 | Dipstick |
| | 315 611280 | 1 | Alternator Coil (3/5 Split)(Incl. 321 -323) |
| | 321 611161 | 1 | Diode |
| | 322 611281 | 1 | Connector Body |

| Ref # | Part Number | Qty | Description |
|-------|-------------|-----|---------------------------------------|
| 323 | 611282 | 2 | Terminal |
| 325 | 36342 | 1 | Wire Clip |
| 342 | 651031 | 2 | Screw, 1/4-20 x 9/16"(Ref. 240 & 265) |
| 346 | 36413 | 1 | Fuel Pump Bracket |
| 347 | 651068 | 3 | Air Duct Mounting Stud |
| 347 | 650898A | 1 | Screw, 10-32 x 27/32" |
| 361 | 651065 | 2 | Screw, 5/16-18 x 2-3/8" |
| 370A | 35274 | 1 | Lubrication Decal |
| 381 | 650767 | 1 | Screw, 8-32 x 27/64" |
| 382 | 36931 | 1 | Oil Strainer Screen |
| 385 | 570673 | 1 | Ball |
| 386 | 36329 | 1 | Pressure Release Spring |
| 387 | 37652 | 1 | Cotter Pin |
| 395 | 37284 | 1 | Electric Starter Motor (12 Volt) |
| 400 | 37423 | 1 | * Gasket Set (Incl. items marked PK) |
| 428 | 37362 | 1 | Spacer |
| 475 | 36563 | 1 | Oil Filter |
| 476 | 36929 | 1 | Oil Filter Adaptor (Incl. 479) |
| 477 | 650378 | 2 | Screw, T-30, 5/16-18 x 1 3/32" |
| 479 | 36930 | 1 | * Oil Filter Adaptor Gasket |
| 483 | 37629 | 4 | Cylinder Wrap Spacer |



| Ref # | Part Number | Qty | Description |
|-------|-------------|-----|-------------------------------------|
| 16E | 37417 | 1 | Governor Idle Spring |
| 16D | 37415 | 1 | Governor Spring, Hi-speed |
| 16F | 37418 | 1 | Bell Crank Lever |
| 19 | 37416 | 1 | Throttle Spring |
| 72B | 28534 | 1 | Oil Drain Plug |
| 173B | 37409 | 1 | Breather Tube Fitting |
| 173A | 37410 | 1 | Breather Tube Grommet |
| 177 | 651067 | 4 | Carbuertor Mounting Stud |
| 184 | 36352 | 2 | * Carburetor to Intake Pipe Gasket |
| 185 | 37396 | 1 | Intake Pipe (Incl. 387A) |
| 186A | 37405 | 2 | Choke Link |
| 186 | 37404 | 1 | Governor Link |
| 200 | 37400 | 1 | Control Bracket |
| 207 | 37406 | 1 | Throttle Link |
| 210 | 27793 | 2 | Conduit Clip |
| 211 | 28942 | 2 | Screw, 10-32 x 3/8" |
| 217 | 37419 | 1 | Control Lever |
| 218 | 651070 | 2 | Screw, 10-32 x 1-1/4" |
| 223 | 650971 | 4 | Screw, T-30, 5/16-18 x 7/8" |
| 224 | 33515A | 2 | * Intake Pipe Gasket (Pipe to Head) |
| 234 | 650928 | 4 | Lock Nut, 1/4-20 |
| 238 | 650902 | 2 | Screw, 10-32 x 7/16" |
| 239 | 36358 | 2 | * Air Cleaner Gasket |
| 240 | 37691 | 1 | Air Cleaner Body Assy. (Incl. 239) |
| 245B | 37361 | 1 | Air Cleaner Pre-Filter (Poly) |
| 245 | 37360 | 1 | Air Cleaner Filter (Paper) |
| 246 | 37407 | 6 | Connector Bushing Link |
| 250 | 37690 | 1 | Air Cleaner Cover |
| 251 | 37689 | 2 | Wing Head Screw, 1/4-20 x 1-19/32" |
| 255 | 37647 | 1 | Control Cover |
| 330A | 37403 | 1 | Fuel Solenoid Wire Assembly (Black) |
| 330 | 37739 | 1 | Fuel Solenoid Wire Assembly |
| 347 | 651068 | 3 | Air Duct Mounting Stud |
| 347 | 650898A | 1 | Screw, 10-32 x 27/32" |
| 380 | 640221 | 2 | Carburetor (Incl. 184 & 428) |
| 383 | 37411 | 1 | Carburetor Baffle |
| 384 | 30200 | 1 | Screw, 10-24 x 9/16" Self Tap |
| 387A | 37397 | 1 | Roll Pin |
| 406 | 611221 | 2 | Fuel Shut-Off Solenoid |