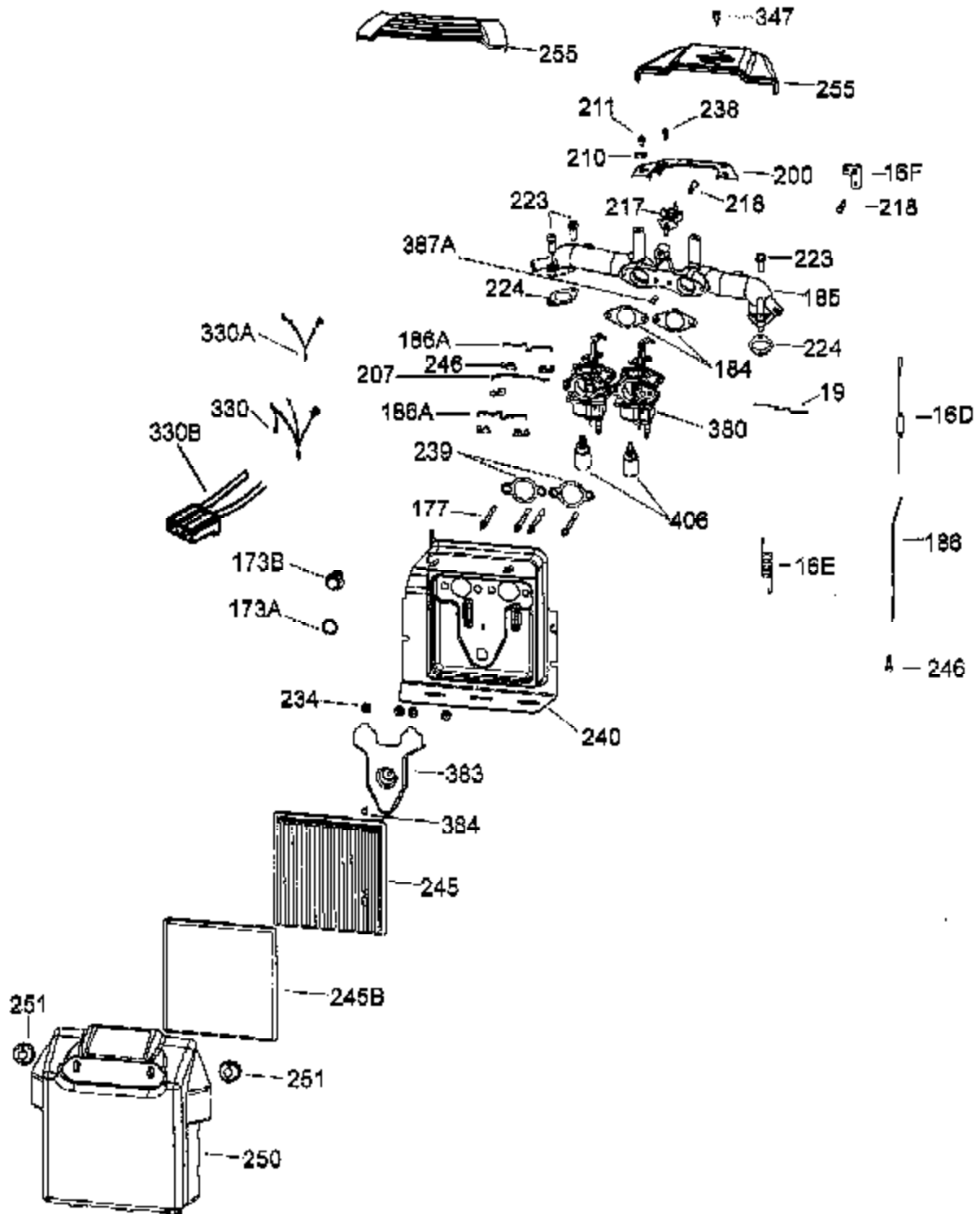


Ref #	Part Number	Qty	Description
	1 0	1	Cylinder (Machined) (Order engine if replacement is needed)
	2 27652	2	Dowel Pin
	11A 36303	1	Breather Plate
	11B 650902	1	Screw, 10-32 x 7/16"
	11 36302	1	Check Valve
	14 37363	1	Washer
	15B 650738	1	Screw, 1/4-20 X 5/8"
	15 37364	1	Governor Rod
	16 37413	1	Governor Lever
	16A 37414	1	Governor Spring Bracket
	17C 37429	1	Breather Tube Clamp
	30 37371	1	Crankshaft
	35 651069	1	Screw, Carriage 1/4-20 X 1-1/2"
	37 650456	1	Lock Nut, 1/4-20
	38 37365	1	Retaining Ring
	40 40040	1	Piston, Pin & Ring Set (Std.)(Incl. 4 1 & 42)
	40 40041	1	Piston, Pin & Ring Set (.010"OS)(Incl. 41 & 42)
	41 40038	1	Piston & Pin Ass'y. (Std.) (Incl. 43)
	41 40039	1	Piston & Pin Ass'y.(.010"OS)(Incl.43)
	42 40013	1	Ring Set (Std.)
	42 40014	1	Ring Set (.010" OS)
	43 27888	2	Piston Pin Retaining Ring
	45 37372	1	Connecting Rod Ass'y.(Incl. 46)
	46 651063	4	Connecting Rod Bolt
	48 37373	4	Valve Lifter
	50 37374	1	Camshaft (MCR)
	52 37305	1	Oil Pump Ass'y.
	52E 37383	1	Oil Pump Gear
	52C 36334	1	Oil Pump Cover (Incl. 52B)
	52B 36333	1	"O" Ring
	52A 37382	1	Oil Pump Shaft
	52F 37384	1	Oil Pump gear Retainer Ring
	52D 650888	3	Screw, T-30, 1/4-20 x 43/64"
	60A 650773	4	Screw, 1/4-20 x 1/2"
	69 37377	1	* Mounting Flange Gasket
	70 37378	1	Mounting Flange (Incl. 72,72A,75,80,3 81-387)
	72A 28483	1	Oil Drain Plug, 3/8-18
	75A 37369	1	Oil Seal (Governor Shaft)
	75 36301	2	Oil Seal (1 in Ref #1, 1 in Ref #70)
	80 37379	1	Governor Shaft
	81 37381	1	Washer (Governor Shaft)
	82 37380	1	Governor Gear Ass'y.
	83 35322	1	Governor Spool
	84 29193	1	Retaining Ring
	86 651064	9	Screw, 5/16-18 x 1-15/32"
	89 650592	1	Flywheel Key
	90 611243	1	Flywheel (Incl. 91 & 91A)
	91A 611242	1	Flywheel Retainer
	91 611241	1	Flywheel Fan
	92 650666	1	Lock Washer,Flywheel (Under Ref. #93)
	93 650594	1	Flywheel Nut
	100 37395	2	Solid State Ignition (Incl. 101)
	101 610118	2	Spark Plug Cover
	102 651024	4	Solid State Mounting Stud
	103 651007	6	Screw, T-15, 10-24 X 15/16"
	119 37388	2	* Cylinder Head Gasket
	120A 37389	1	Cylinder Head, Breather Side
	120 37387	1	Cylinder Head, Opp. Breather Side

Ref #	Part Number	Qty	Description
125	36934	2	Exhaust Valve (Std.)
126	36935	2	Intake Valve (Std.)
127	650691	12	Flat Washer
128	650690	12	Belleville Washer
130	650697A	12	Screw, 5/16-18 x 2-1/2"(Head Mount)
135	34645	2	Spark Plug (RN4C)
150	33507	4	Valve Spring
151A	35862	2	Valve Seal
151	33508	4	Valve Keeper Retainer & Cap Set
153	37390	2	Push Rod Guide
154	650945	1	Rocker Arm Stud
155	35950	1	Rocker Arm
158	37391	4	Push Rod
159	35952	2	* Rocker Arm Cover Gasket
160	35953A	1	Rocker Arm Cover, Opp. Breather Side
160A	37392	1	Rocker Arm Cover, Breather Side
161A	651034	2	Stud, Valve Cover Mounting
161	30063	10	Screw, T-30, 1/4-20 x 1/2"
162	650947	1	Rocker Arm Jam Nut, 5/16-24
163	650890	4	Internal Lock Washer, 5/16"
169	37367	1	* Valve Cover Gasket
171	37366	1	Breather Element
172	37368	1	Valve Cover
173	37393	1	Breather Tube
212	37370	4	Bushing
253	37376	1	Compression Release Weight
253A	37424	1	Compression Release Pin
254	37375	1	Compression Release Spring
260	37398	1	Blower Housing (Red)
261	650737	3	Screw, 1/4-20 x 1/2"
265A	37386	1	Cylinder Head Cover, Breather Side
265	37385	1	Cylinder Head Cover, Opp. Breather
270A	35829A	2	Exhaust Port Liner
286	37394	1	Flywheel Screen
287	651066	4	Screw,T-20, 8-18 X 1-15/32"
290	30962	1	Fuel Line (17")
291A	29774	1	Fuel Line (8.25")
291	29774	1	Fuel Line (8.25")
291B	29774	2	Fuel Line (8.25")
292	26460	2	Fuel Line Clamp
292	26460	6	Fuel Line Clamp
292	26460	2	Fuel Line Clamp
292A	37399	1	Fuel Line Retainer
293A	650931	2	Screw, 8-32 X 1-1/2"
293	35787	1	Pulse Pump
295A	37422	1	Fuel Fitting
296	34279B	1	Fuel Filter (Incl. 292)
303	32958	1	Pulse Pump/Fuel Fitting
305	36349	1	Oil Fill Tube
306	37401	1	* "O" Ring (Oil Fill, Bottom)
307	35499	1	"O" Ring (Oil Fill, Top)
309	650974	1	Screw, 1/4-20 x 5/64"
310	37421	1	Dipstick
315	611181	1	Alternator Coil (3/5 Split)(Incl. 321 - 323)
321	611161	1	Diode
322	611142	1	Connector Body
323	611118	1	Terminal
325	36342	1	Wire Clip

Ref #	Part Number	Qty	Description
342	651031	2	Screw, 1/4-20 X 9/16"(Ref. 240 & 265)
346	36413	1	Fuel Pump Bracket
347	650898A	1	Screw, 10-32 X 27/32"
361	651065	2	Screw, 5/16-18 x 2-3/8"
370A	35274	1	Lubrication Decal
381	650767	1	Screw, 8-32 x 27/64"
382	36931	1	Oil Strainer Screen
385	570673	1	Ball
386	36329	1	Pressure Relief Spring
387	36330	1	Roll Pin
394A	650982	1	Flat Washer,Flywheel (Under Ref. #92)
395	37284	1	Electric Starter Motor (12 Volt)
400	37423	1	* Gasket Set (Incl. items marked PK i n notes)
420	730225A	1	SAE 30 4-Cycle Engine Oil (Quart)
428	37362	1	Spacer
475	36563	1	Oil Filter
476	36929	1	Oil Filter Adaptor (Incl. 479)
477	650378	2	Screw, T-30, 5/16-18 x 1-3/32"
479	36930	1	* Oil Filter Adaptor Gasket



Ref #	Part Number	Qty	Description
16E	37417	1	Governor Idle Spring
16F	37418	1	Bell Crank Lever
16D	37415	1	Governor Spring, Hi-Speed
19	37416	1	Throttle Spring
173B	37409	1	Breather Tube Fitting
173A	37410	1	Breather Tube Gromet
177	651067	4	Carburetor Mounting Stud
184	36352	1	* Carburetor To Intake Pipe Gasket
185	37396	1	Intake Pipe (Incl. 387A)
186	37404	1	Governor Link
186A	37405	2	Choke Link
200	37400	1	Control Bracket
207	37406	1	Throttle Link
210	27793	2	Conduit Clip
211	28942	2	Screw, 10-32 X 3/8"
217	37419	1	Control Lever
218	651070	2	Screw, 10-32 X 1-1/4"
223	650971	4	Screw, T-30, 5/16-18 X 7/8"
224	33515A	2	* Intake Pipe Gasket (Pipe to Head)
234	650928	4	Lock Nut, 1/4-20
238	650902	2	Screw, 10-32 X 7/16"
239	36358	2	* Air Cleaner Gasket
240	37408	1	Air Cleaner Body Assembly (Incl. 239)
245	37360	1	Air Cleaner Filter (Paper)
245B	37361	1	Air Cleaner Prefilter (Poly)
246	37407	6	Link Connector Bushing
250	37412	1	Air Cleaner Cover
251	650886	2	Wing Nut, 1/4-20 (Air Cleaner)
255	37420	1	Control Cover
330A	37403	1	Fuel Solenoid Wire Assembly (Black)
330	37402	1	Fuel Solenoid Wire Assembly
347	650898A	1	Screw, 10-32 X 27/32"
380	640221	2	Carburetor (Incl. 184 & 428)
383	37411	1	Carburetor Baffle
384	30200	1	Screw, 10-24 X 9/16" Self Tap
387A	37397	1	Roll Pin
394A	650982	1	Flat Washer, Flywheel (Under Ref. #92)
406	611221	2	Fuel Shut-Off Solenoid