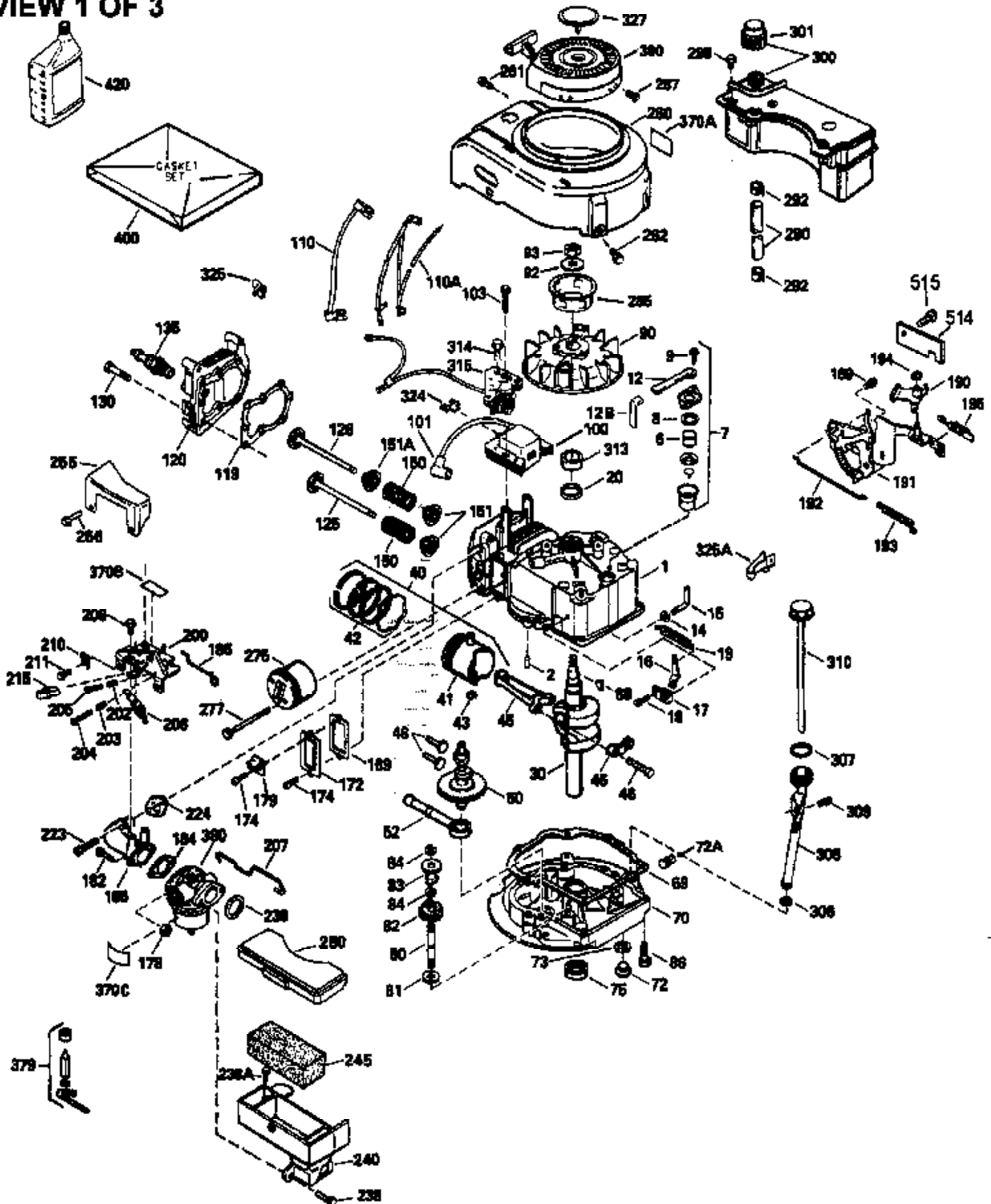


# VIEW 1 OF 3

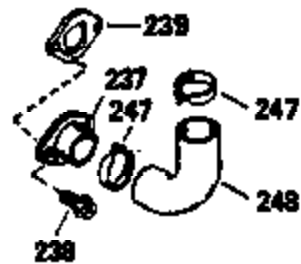


| Ref # | Part Number | Qty | Description   |
|-------|-------------|-----|---|
| 1     | 35001       |     | Cylinder (Incl.2,20,104)(2-5/8")(C I)   |
| 2     | 26727       |     | Pin, Dowel  |
| 6     | 33734       |     | Element, Breather   |
| 7     | 34214A      |     | Breather Ass'y. (Incl. 6, 8, 9, 12 , & 12A)   |
| 8     | 33735       |     | * Gasket, Breather  |
| 9     | 30200       |     | Screw, 10-24 x 9/16"  |
| 12    | 33886       |     | Tube, Breather  |
| 14    | 28277       |     | Washer, Flat  |
| 15    | 30589       |     | Rod, Governor (Incl. 14)  |
| 16    | 31383A      |     | Lever, Governor   |
| 17    | 31335       |     | Clamp, Governor lever   |
| 18    | 650548      |     | Screw, 8-32 x 5/16"   |
| 19    | 31361       |     | Spring, Extension   |
| 20    | 32600       |     | Seal, Oil   |
| 30    | 34570A      |     | Crankshaft  |
| 32    | 32323       |     | Washer, Thrust NOTE: This thrust washer maynot be required if a new crankshafthas been installed. Check the proper Mechanic's Handbook for acceptable end play. Use this .010" thrust washer if excess end play is measured.  |
| 40    | 34851       |     | Piston, Pin & Ring Set (Std.) (2-5/8" Bore) NOTE: These piston, pin andring sets and pistons have been superceded into a new piston, pin and ring set assembly. As of this update the ring sets (34854, 34855, 34856) are stillavailable. It will be necessary to note on the engine that the piston, pin |
| 40    | 34852       |     | Piston, Pin & Ring Set (.010" OS)   |
| 40    | 34853       |     | Piston, Pin & Ring Set (.020" OS)   |
| 41    | 32603B      |     | Piston & Pin Ass'y. (Incl.43)(Std.)(2 -5/8")  |
| 41    | 32604B      |     | Piston & Pin Ass'y. (Incl. 43) (.010" OS)   |
| 41    | 32605B      |     | Piston & Pin Ass'y. (Incl. 43) (.020" OS)   |
| 42    | 34854       |     | Ring Set (Std.) (2-5/8" Bore)   |
| 42    | 34855       |     | Ring Set (.010" OS)   |
| 42    | 34856       |     | Ring Set (.020" OS)   |
| 43    | 20381       |     | Ring, Piston pin retaining  |
| 45    | 32875       |     | Rod Assy., Connecting (Incl. 46)  |
| 46    | 32610A      |     | Bolt, Connecting rod  |
| 48    | 27241       |     | Lifter, Valve   |
| 50    | 33553       |     | Camshaft (MCR)  |
| 52    | 29914       |     | Oil Pump Assy.  |
| 69    | 35261       |     | * Gasket, Mounting flange   |
| 70    | 34790C      |     | Flange Ass'y. (Incl.71, 72, 72A, 73, 75 & 80)   |
| 71    | 34837       |     | Bushing, Flange   |
| 72    | 30572       |     | Plug, Oil drain (Incl. 73)  |
| 73    | 28833       |     | * Drain Plug Gasket (Not req. W/plastic plug)   |
| 75    | 27897       |     | Seal, Oil   |
| 80    | 30574       |     | Shaft, Governor   |
| 81    | 30590A      |     | Washer, Flat  |
| 82    | 30591       |     | Gear Assy., Governor (Incl. 81)   |
| 83    | 30588A      |     | Spool, Governor   |
| 84    | 29193       |     | Ring, Retaining   |
| 86    | 650488      |     | Screw, 1/4-20 x 1-1/4"  |
| 89    | 611004      |     | Flywheel Key  |
| 90    | 611046A     |     | Flywheel  |
| 92    | 650815      |     | Washer, Belleville  |
| 93    | 650816      |     | Nut, Flywheel   |
| 100   | 34443A      |     | Solid State Ignition  |

| Ref # | Part Number | Qty | Description  |
|-------|-------------|-----|--|
| 100   | 730207      |     | Magneto-to-Solid State Conv. Kit (Includes solid state module, solid state flywheel key, and instructions.) (Use as required on external ignition engines only.) |
| 101   | 610118      |     | Cover, Spark plug (Use as required)  |
| 103   | 650814      |     | Screw, Torx T-15, 10-24 x 1"   |
| 104   | 34836       |     | Bushing, Cylinder  |
| 110   | 34231       |     | Ground Wire  |
| 118   | 730194      |     | Rope Guide Kit (Use as required)   |
| 119   | 33015A      |     | * Gasket, Head   |
| 120   | 34342       |     | Head, Cylinder   |
| 125   | 29314B      |     | Intake Valve (Std.) (Incl. 151) (Conventional Ports)   |
| 125   | 29315C      |     | Intake Valve (1/32" OS) (Incl. 151) (Conventional Ports)   |
| 125   | 29313C      |     | Exhaust Valve (Std.) (Incl. 151) (Inverted Ports)  |
| 126   | 29313C      |     | Exhaust Valve (Std.) (Incl. 151) (Conventional Ports)  |
| 126   | 34776       |     | Exhaust Valve (Std.) (Incl. 151) (Conventional Ports)  |
| 126   | 34777       |     | Exhaust Valve (1/32" OS) (Incl. 151) (Conventional Ports)  |
| 126   | 32644A      |     | Intake Valve (Incl. 151) (Inverted Ports)  |
| 130   | 6021A       |     | Screw, 5/16-18 x 1-1/2" (Use as required)  |
| 130   | 650697A     |     | Screw, 5/16-18 x 2-1/2" (Use as required)  |
| 135   | 33636       |     | Resistor Spark Plug  |
| 150   | 31672       |     | Spring, Valve  |
| 151   | 31673       |     | Cap, Lower valve spring  |
| 167   | 650688      |     | Screw, 10-32 x 1" (Drilled thru)   |
| 168   | 32924       |     | Spring, Speed adjusting screw  |
| 169   | 27234A      |     | Gasket, Valve spring box cover   |
| 172   | 32755       |     | Cover, Valve spring box  |
| 174   | 650128      |     | Screw, 10-24 x 1/2"  |
| 178   | 29752       |     | Nut & Lockwasher, 1/4-28   |
| 182   | 6201        |     | Screw, 1/4-28 x 7/8"   |
| 184   | 26756       |     | * Gasket, Carburetor   |
| 186   | 34358       |     | Link, Governor spring  |
| 200   | 33155A      |     | Control Bracket (Incl. 206)  |
| 201   | 33150       |     | Bracket, Over-ride   |
| 206   | 610973      |     | Terminal (Use as required)   |
| 207   | 34336       |     | Link, Throttle   |
| 209   | 30200       |     | Screw, 10-24 x 9/16"   |
| 210   | 27793       |     | Clip, Conduit  |
| 211   | 28942       |     | Screw, 10-32 x 3/8"  |
| 223   | 650451      |     | Screw, 1/4-20 x 1"   |
| 224   | 34690A      |     | * Gasket, Intake pipe  |
| 238   | 650806      |     | Screw, 10-32 x 5/8"  |
| 239   | 34338       |     | * Gasket, Air cleaner  |
| 240   | 34858       |     | Body, Air cleaner  |
| 246   | 34340       |     | Element, Air cleaner   |
| 246D  | 34927       |     | Felt, Air Cleaner  |
| 246E  | 35435       |     | Filter, Pre-air (Use as required)  |
| 250   | 34792       |     | Cover, Air cleaner   |
| 261   | 30200       |     | Screw, 10-24 x 9/16"   |
| 262   | 650831      |     | Screw, 1/4-20 x 15/32"   |
| 277   | 650774      |     | Screw, 1/4-20 x 2-3/8" (Use as required)   |
| 277   | 792005      |     | Screw, 1/4-20 x 2-1/2" (Use as required)   |
| 277   | 650795      |     | Screw, 1/4-20 x 2-1/4" (Use as required)   |
| 285   | 34449       |     | Hub, Starter   |
| 286   | 35009       |     | Screen, Starter cup  |
| 290   | 34357       |     | Fuel Line (Epichlorohydrin 6-3/4")(17 cm)  |
| 290   | 29774       |     | Fuel Line(Braided 8-1/4")(21 cm)(Use as req.)  |
| 290   | 30705       |     | Fuel Line (Braided 16")(40 cm)(Use as req.)  |

| Ref # | Part Number | Qty | Description   |
|-------|-------------|-----|---|
| 290   | 30962       |     | Fuel Line (Braided 32")(81 cm)(Use as req.)   |
| 292   | 26460       |     | Clamp, Fuel line  |
| 301   | 33032       |     | Fuel Cap (Use as required)  |
| 305   | 34264       |     | Oil Fill Tube   |
| 306   | 34265       |     | Gasket, Oil fill tube   |
| 306   | 34282       |     | "O" Ring (This "O" ring is required with metal fill tube only when replacement mounting flange with .777 dia. oil fill hole has been used.) |
| 307   | 33590       |     | "O" Ring  |
| 309   | 650562      |     | Screw, 10-32 x 1/2"   |
| 310   | 34267       |     | Oil Dipstick (Incl. 150)  |
| 313   | 34080       |     | Spacer, Flywheel key  |
| 370A  | 34346       |     | Decal, Instruction  |
| 370J  | 34870       |     | Decal, Instruction (Optional)   |
| 370H  | 34387       |     | Decal, Instruction (Optional)   |
| 379   | 631021      |     | Inlet Needle, Seat & Clip Assy.   |
| 380   | 631597      |     | Carburetor (Refer to Division 5, Section A, page A1-16 or Fiche 8A, Grid E-3 for breakdown)   |
| 390   | 590557      |     | Rewind Starter (Refer to Division 5, Section C, Page 25 or Fiche 8A, Grid G-4 for breakdown)  |
| 400   | 33238D      |     | * Gasket Set (Incl. items marked *)   |
| 420   | 730225      |     | SAE 30, 4-Cycle Engine Oil (Quart)  |
| 425   | 730571      |     | Starter Muff Kit (Incl.370J,426,427)( Opt.)   |
| 426   | 32203       |     | Starter Air Cleaner (Optional)  |
| 427   | 32204       |     | Starter Air Cleaner Bracket (Optional )   |
| 436   | 611006      |     | Stator Plate Ass'y.(Incl.377,378,437, 442-448)  |
| 437   | 30551       |     | Spring, Breaker box cover   |
| 438   | 610947      |     | Cover, Dust   |
| 439   | 610955      |     | Gasket, Stator cover  |
| 440   | 30992       |     | Cam, Breaker  |
| 442   | 610385      |     | Washer  |
| 443   | 610408      |     | Nut, 8-32   |
| 444   | 29181       |     | Breaker Fastening Screw & Washer  |
| 445   | 610593      |     | Condenser Fastening Screw   |
| 446   | 33356       |     | Terminal, Ground  |

# VIEW 2 OF 3



| Ref # | Part Number | Qty | Description  |
|-------|-------------|-----|--|
|       | 32 32323    |     | Washer, Thrust NOTE: This thrust washer maynot be required if a new crankshafthas been installed. Check the proper Mechanic's Handbook for acceptable end play. Use this .010" thrust washer if excess end play is measured. |
|       | 71 34837    |     | Bushing, Flange  |
|       | 104 34836   |     | Bushing, Cylinder  |
|       | 118 730194  |     | Rope Guide Kit (Use as required)   |
|       | 167 650688  |     | Screw, 10-32 x 1" (Drilled thru)   |
|       | 168 32924   |     | Spring, Speed adjusting screw  |
|       | 201 33150   |     | Bracket, Over-ride   |
|       | 238 650806  |     | Screw, 10-32 x 5/8"  |
|       | 239 34338   |     | * Gasket, Air cleaner  |
|       | 246D 34927  |     | Felt, Air Cleaner  |
|       | 246E 35435  |     | Filter, Pre-air (Use as required)  |
|       | 246 34340   |     | Element, Air cleaner   |
|       | 250 34792   |     | Cover, Air cleaner   |
|       | 260A 34989  |     | Housing, Blower  |
|       | 286 35009   |     | Screen, Starter cup  |
|       | 287A 650735 |     | Screw, 10-24 x 3/8" (Use as required)  |
|       | 287A        |     | Pop Rivet (3/16" Dia.) (Purchase loca lly)   |
|       | 370H 34387  |     | Decal, Instruction (Optional)  |
|       | 370J 34870  |     | Decal, Instruction (Optional)  |
|       | 425 730571  |     | Starter Muff Kit (Incl.370J,426,427)( Opt.)  |
|       | 426 32203   |     | Starter Air Cleaner (Optional)   |
|       | 427 32204   |     | Starter Air Cleaner Bracket (Optional )  |
|       | 436 611006  |     | Stator Plate Ass'y.(Incl.377,378,437, 442-448)   |
|       | 437 30551   |     | Spring, Breaker box cover  |
|       | 438 610947  |     | Cover, Dust  |
|       | 439 610955  |     | Gasket, Stator cover   |
|       | 440 30992   |     | Cam, Breaker   |
|       | 442 610385  |     | Washer   |
|       | 443 610408  |     | Nut, 8-32  |
|       | 444 29181   |     | Breaker Fastening Screw & Washer   |
|       | 445 610593  |     | Condenser Fastening Screw  |
|       | 446 33356   |     | Terminal, Ground   |

### VIEW 3 OF 3



| Ref # | Part Number | Qty | Description  |
|-------|-------------|-----|--|
| 19    | 31361       |     | Spring, Extension  |
| 32    | 32323       |     | Washer, Thrust NOTE: This thrust washer maynot be required if a new crankshafthas been installed. Check the proper Mechanic's Handbook for acceptable end play. Use this .010" thrust washer if excess end play is measured. |
| 69    | 35261       |     | * Gasket, Mounting flange  |
| 71    | 34837       |     | Bushing, Flange  |
| 104   | 34836       |     | Bushing, Cylinder  |
| 118   | 730194      |     | Rope Guide Kit (Use as required)   |
| 167   | 650688      |     | Screw, 10-32 x 1" (Drilled thru)   |
| 168   | 32924       |     | Spring, Speed adjusting screw  |
| 182   | 6201        |     | Screw, 1/4-28 x 7/8"   |
| 185   | 31384A      |     | Pipe, Intake (Incl. 224)   |
| 186   | 34358       |     | Link, Governor spring  |
| 201   | 33150       |     | Bracket, Over-ride   |
| 206   | 610973      |     | Terminal (Use as required)   |
| 209   | 30200       |     | Screw, 10-24 x 9/16"   |
| 223   | 650451      |     | Screw, 1/4-20 x 1"   |
| 238   | 650806      |     | Screw, 10-32 x 5/8"  |
| 239   | 34338       |     | * Gasket, Air cleaner  |
| 240   | 34858       |     | Body, Air cleaner  |
| 246E  | 35435       |     | Filter, Pre-air (Use as required)  |
| 246D  | 34927       |     | Felt, Air Cleaner  |
| 246   | 34340       |     | Element, Air cleaner   |
| 250   | 34792       |     | Cover, Air cleaner   |
| 274   | 26754A      |     | * Gasket, Exhaust (Use as required)  |
| 275A  | 34613       |     | Muffler  |
| 277A  | 30063       |     | Screw, Torx T-30, 1/4-20 x 1/2" (Use as req.)  |
| 277   | 650774      |     | Screw, 1/4-20 x 2-3/8" (Use as requir ed)  |
| 277   | 792005      |     | Screw, 1/4-20 x 2-1/2" (Use as requir ed)  |
| 277   | 650795      |     | Screw, 1/4-20 x 2-1/4" (Use as requir ed)  |
| 286   | 35009       |     | Screen, Starter cup  |
| 370H  | 34387       |     | Decal, Instruction (Optional)  |
| 370J  | 34870       |     | Decal, Instruction (Optional)  |
| 410   | 730574      |     | Debris Screen Kit(Incl.370H,411-413)( Opt.)  |
| 411   | 35596       |     | Screen, Debris (Optional)  |
| 412   | 35597       |     | Bracket, Debris screen (Optional)  |
| 413   | 650910      |     | Screw, 8-32 x 1/4 (Optional)   |
| 415   | 730162      |     | Muffler Adapter Kit(Incl.274,277)(Use as req)  |
| 425   | 730571      |     | Starter Muff Kit (Incl.370J,426,427)( Opt.)  |
| 426   | 32203       |     | Starter Air Cleaner (Optional)   |
| 427   | 32204       |     | Starter Air Cleaner Bracket (Optional )  |
| 436   | 611006      |     | Stator Plate Ass'y.(Incl.377,378,437, 442-448)   |
| 437   | 30551       |     | Spring, Breaker box cover  |
| 438   | 610947      |     | Cover, Dust  |
| 439   | 610955      |     | Gasket, Stator cover   |
| 440   | 30992       |     | Cam, Breaker   |
| 442   | 610385      |     | Washer   |
| 443   | 610408      |     | Nut, 8-32  |
| 444   | 29181       |     | Breaker Fastening Screw & Washer   |
| 445   | 610593      |     | Condenser Fastening Screw  |
| 446   | 33356       |     | Terminal, Ground   |