

VIEW 1 OF 3

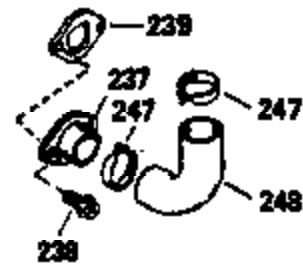
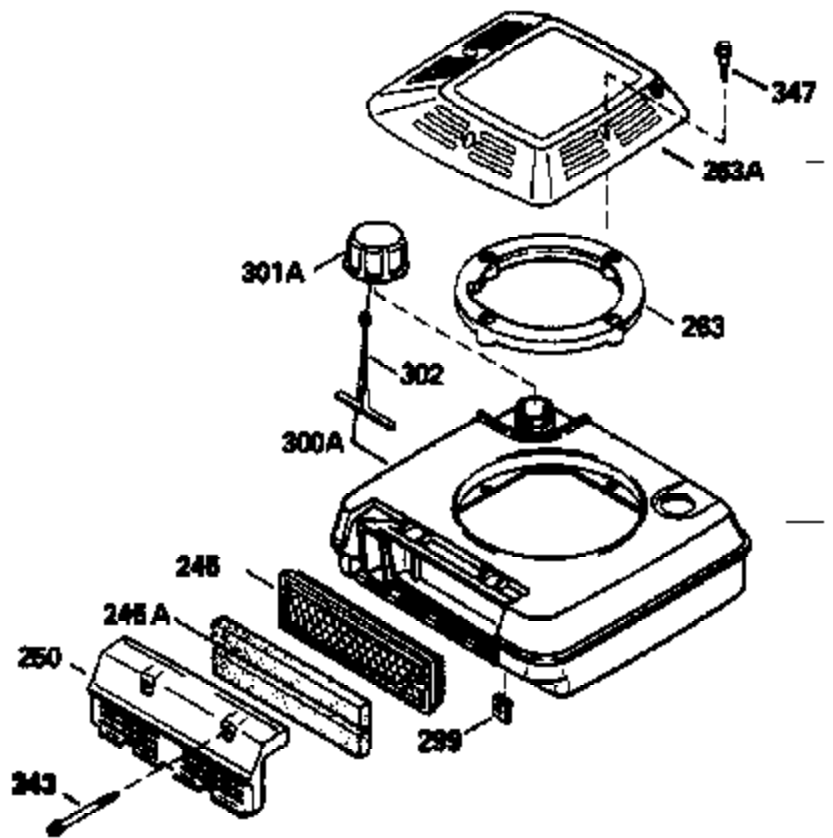


Ref #	Part Number	Qty	Description
1	35001		Cylinder (Incl.2,20,104)(2-5/8")(C I)
2	26727		Pin, Dowel
6	33734		Element, Breather
7	34214A		Breather Ass'y. (Incl. 6, 8, 9, 12 , & 12A)
8	33735		* Gasket, Breather
9	30200		Screw, 10-24 x 9/16"
12	33886		Tube, Breather
14	28277		Washer, Flat
15	30589		Rod, Governor (Incl. 14)
16	31383A		Lever, Governor
17	31335		Clamp, Governor lever
18	650548		Screw, 8-32 x 5/16"
19	31361		Spring, Extension
20	32600		Seal, Oil
30	34570A		Crankshaft
32	32323		Washer, Thrust NOTE: This thrust washer maynot be required if a new crankshafthas been installed. Check the proper Mechanic's Handbook for acceptable end play. Use this .010" thrust washer if excess end play is measured.
40	34851		Piston, Pin & Ring Set (Std.) (2-5/8" Bore) NOTE: These piston, pin andring sets and pistons have been superceded into a new piston, pin and ring set assembly. As of this update the ring sets (34854, 34855, 34856) are stillavailable. It will be necessary to note on the engine that the piston, pin
40	34852		Piston, Pin & Ring Set (.010" OS)
40	34853		Piston, Pin & Ring Set (.020" OS)
41	32603B		Piston & Pin Ass'y. (Incl.43)(Std.)(2 -5/8")
41	32604B		Piston & Pin Ass'y. (Incl. 43) (.010" OS)
41	32605B		Piston & Pin Ass'y. (Incl. 43) (.020" OS)
42	34854		Ring Set (Std.) (2-5/8" Bore)
42	34855		Ring Set (.010" OS)
42	34856		Ring Set (.020" OS)
43	20381		Ring, Piston pin retaining
45	32875		Rod Assy., Connecting (Incl. 46)
46	32610A		Bolt, Connecting rod
48	27241		Lifter, Valve
50	33553		Camshaft (MCR)
52	29914		Oil Pump Assy.
69	35261		* Gasket, Mounting flange
70	34790C		Flange Ass'y. (Incl.71, 72, 72A, 73, 75 & 80)
71	34837		Bushing, Flange
72	30572		Plug, Oil drain (Incl. 73)
73	28833		* Drain Plug Gasket (Not req. W/plastic plug)
75	27897		Seal, Oil
80	30574		Shaft, Governor
81	30590A		Washer, Flat
82	30591		Gear Assy., Governor (Incl. 81)
83	30588A		Spool, Governor
84	29193		Ring, Retaining
86	650488		Screw, 1/4-20 x 1-1/4"
89	611004		Flywheel Key
90	611044		Flywheel
92	650815		Washer, Belleville
93	650816		Nut, Flywheel
100	34443A		Solid State Ignition

Ref #	Part Number	Qty	Description
100	730207		Magneto-to-Solid State Conv. Kit (Includes solid state module, solid state flywheel key, and instructions.) (Use as required on external ignition engines only.)
101	610118		Cover, Spark plug (Use as required)
103	650814		Screw, Torx T-15, 10-24 x 1"
104	34836		Bushing, Cylinder
110A	35017		Harness Assy.
118	730194		Rope Guide Kit (Use as required)
119	33015A		* Gasket, Head
120	34342		Head, Cylinder
125	29314B		Intake Valve (Std.) (Incl. 151) (Conventional Ports)
125	29315C		Intake Valve (1/32" OS) (Incl. 151) (Conventional Ports)
125	29313C		Exhaust Valve (Std.) (Incl. 151) (Inverted Ports)
126	29313C		Exhaust Valve (Std.) (Incl. 151) (Conventional Ports)
126	34776		Exhaust Valve (Std.) (Incl. 151) (Conventional Ports)
126	34777		Exhaust Valve (1/32" OS) (Incl. 151) (Conventional Ports)
126	32644A		Intake Valve (Incl. 151) (Inverted Ports)
130	6021A		Screw, 5/16-18 x 1-1/2" (Use as required)
130	650697A		Screw, 5/16-18 x 2-1/2" (Use as required)
135	35395		Resistor Spark Plug (RJ19LM)
150	31672		Spring, Valve
151	31673		Cap, Lower valve spring
167	650688		Screw, 10-32 x 1" (Drilled thru)
168	32924		Spring, Speed adjusting screw
169	27234A		Gasket, Valve spring box cover
172	32755		Cover, Valve spring box
174	650128		Screw, 10-24 x 1/2"
178	29752		Nut & Lockwasher, 1/4-28
182	6201		Screw, 1/4-28 x 7/8"
184	26756		* Gasket, Carburetor
186	34358		Link, Governor spring
189A	650837		Screw, 10-32 x 1/4"
190	35831		Lever, Brake
191	35015B		Bracket Assy., S.E. Brake (Incl. 195)
192	34966		Link, Control
193	34965		Spring, Extension
194	32309		Ring, Retaining
195	610973		Terminal Assy.
200	33155A		Control Bracket (Incl. 206)
201	33150		Bracket, Over-ride
206	610973		Terminal (Use as required)
207	34336		Link, Throttle
209	30200		Screw, 10-24 x 9/16"
210	27793		Clip, Conduit
211	28942		Screw, 10-32 x 3/8"
223	650451		Screw, 1/4-20 x 1"
224	34690A		* Gasket, Intake pipe
237A	35098		Adapter, Air cleaner
238	650806		Screw, 10-32 x 5/8"
239	34338		* Gasket, Air cleaner
240B	35100		Body, Air cleaner
246E	35435		Filter, Pre-air (Use as required)
246B	35103		Element, Air cleaner
248B	35101		Tube, Air cleaner
250B	35104		Cover, Air cleaner
251	650513		Nut, Wing, 1/4-20
260B	35564		Housing, Blower

Ref #	Part Number	Qty	Description
261	30200		Screw, 10-24 x 9/16"
262	650831		Screw, 1/4-20 x 15/32"
277	650795		Screw, 1/4-20 x 2-1/4" (Use as required)
277	650774		Screw, 1/4-20 x 2-3/8" (Use as required)
277	792005		Screw, 1/4-20 x 2-1/2" (Use as required)
285	35000		Hub, Starter
287B	650884		Screw, 8-32 x 1/2"
290	34357		Fuel Line (Epichlorohydrin 6-3/4")(17 cm)
290	29774		Fuel Line(Braided 8-1/4")(21 cm)(Use as req.)
290	30705		Fuel Line (Braided 16")(40 cm)(Use as req.)
290	30962		Fuel Line (Braided 32")(81 cm)(Use as req.)
292	26460		Clamp, Fuel line
298	28763		Screw, 10-32 x 35/64"
301	33032		Fuel Cap (Use as required)
305	35577		Tube, Oil fill
306	34265		Gasket, Oil fill tube
306	34282		"O" Ring (This "O" ring is required with metal fill tube only when replacement mounting flange with .777 dia. oil fill hole has been used.)
307	35499		"O" Ring
309	650562		Screw, 10-32 x 1/2"
310	35578		Dipstick
313	34080		Spacer, Flywheel key
330	34970		Wire Harness
361A	650841		Washer
370H	34387		Decal, Instruction (Optional)
370A	34346		Decal, Instruction
370J	34870		Decal, Instruction (Optional)
379	631021		Inlet Needle, Seat & Clip Assy.
380	632348		Carburetor (Incl. 184) (Refer to Division 5, Section A, page A1-4 or Fiche 8A, Grid E-1for breakdown)
390B	590635		Rewind Starter (Refer to Division 5, Section C, page 34 or Fiche 8A, Grid G-5 for breakdown)
400	33238D		* Gasket Set (Incl. items marked *)
420	730225		SAE 30, 4-Cycle Engine Oil (Quart)
425	730571		Starter Muff Kit (Incl.370J,426,427)(Opt.)
426	32203		Starter Air Cleaner (Optional)
427	32204		Starter Air Cleaner Bracket (Optional)
436	611006		Stator Plate Ass'y.(Incl.377,378,437, 442-448)
437	30551		Spring, Breaker box cover
438	610947		Cover, Dust
439	610955		Gasket, Stator cover
440	30992		Cam, Breaker
442	610385		Washer
443	610408		Nut, 8-32
444	29181		Breaker Fastening Screw & Washer
445	610593		Condenser Fastening Screw
446	33356		Terminal, Ground

VIEW 2 OF 3



Ref #	Part Number	Qty	Description
32	32323		Washer, Thrust NOTE: This thrust washer maynot be required if a new crankshafthas been installed. Check the proper Mechanic's Handbook for acceptable end play. Use this .010" thrust washer if excess end play is measured.
71	34837		Bushing, Flange
104	34836		Bushing, Cylinder
118	730194		Rope Guide Kit (Use as required)
167	650688		Screw, 10-32 x 1" (Drilled thru)
168	32924		Spring, Speed adjusting screw
189A	650837		Screw, 10-32 x 1/4"
201	33150		Bracket, Over-ride
237A	35098		Adapter, Air cleaner
238	650806		Screw, 10-32 x 5/8"
239	34338		* Gasket, Air cleaner
240B	35100		Body, Air cleaner
243	650738		Screw, 1/4-20 x 5/8"
246E	35435		Filter, Pre-air (Use as required)
246B	35103		Element, Air cleaner
247	35068		Clamp, Air cleaner
248B	35101		Tube, Air cleaner
250B	35104		Cover, Air cleaner
251	650513		Nut, Wing, 1/4-20
260B	35564		Housing, Blower
287B	650884		Screw, 8-32 x 1/2"
287A	650735		Screw, 10-24 x 3/8" (Use as required)
287A			Pop Rivet (3/16" Dia.) (Purchase loca lly)
300A	34114D		Fuel Tank (Incl. 292 & 301)
330	34970		Wire Harness
361A	650841		Washer
370H	34387		Decal, Instruction (Optional)
370J	34870		Decal, Instruction (Optional)
390B	590635		Rewind Starter (Refer to Division 5, Section C, page 34 or Fiche 8A, Grid G-5 for breakdown)
425	730571		Starter Muff Kit (Incl.370J,426,427)(Opt.)
426	32203		Starter Air Cleaner (Optional)
427	32204		Starter Air Cleaner Bracket (Optional)
436	611006		Stator Plate Ass'y.(Incl.377,378,437, 442-448)
437	30551		Spring, Breaker box cover
438	610947		Cover, Dust
439	610955		Gasket, Stator cover
440	30992		Cam, Breaker
442	610385		Washer
443	610408		Nut, 8-32
444	29181		Breaker Fastening Screw & Washer
445	610593		Condenser Fastening Screw
446	33356		Terminal, Ground

VIEW 3 OF 3



Ref #	Part Number	Qty	Description
19	31361		Spring, Extension
32	32323		Washer, Thrust NOTE: This thrust washer maynot be required if a new crankshafthas been installed. Check the proper Mechanic's Handbook for acceptable end play. Use this .010" thrust washer if excess end play is measured.
69	35261		* Gasket, Mounting flange
71	34837		Bushing, Flange
104	34836		Bushing, Cylinder
118	730194		Rope Guide Kit (Use as required)
167	650688		Screw, 10-32 x 1" (Drilled thru)
168	32924		Spring, Speed adjusting screw
182	6201		Screw, 1/4-28 x 7/8"
185	31384A		Pipe, Intake (Incl. 224)
186	34358		Link, Governor spring
189A	650837		Screw, 10-32 x 1/4"
201	33150		Bracket, Over-ride
206	610973		Terminal (Use as required)
209	30200		Screw, 10-24 x 9/16"
223	650451		Screw, 1/4-20 x 1"
237A	35098		Adapter, Air cleaner
238	650806		Screw, 10-32 x 5/8"
239	34338		* Gasket, Air cleaner
240B	35100		Body, Air cleaner
243	650738		Screw, 1/4-20 x 5/8"
245B	35102		Filter, Air cleaner
246E	35435		Filter, Pre-air (Use as required)
246B	35103		Element, Air cleaner
248B	35101		Tube, Air cleaner
250B	35104		Cover, Air cleaner
251	650513		Nut, Wing, 1/4-20
260B	35564		Housing, Blower
274	26754A		* Gasket, Exhaust (Use as required)
275A	391019		Muffler
276	33753		Plate, Locking
277	650795		Screw, 1/4-20 x 2-1/4" (Use as requir ed)
277	650774		Screw, 1/4-20 x 2-3/8" (Use as requir ed)
277	792005		Screw, 1/4-20 x 2-1/2" (Use as requir ed)
277A	30063		Screw, Torx T-30, 1/4-20 x 1/2" (Use as req.)
287B	650884		Screw, 8-32 x 1/2"
330	34970		Wire Harness
361	650831		Screw, 1/4-20 x 15/32"
361A	650841		Washer
370H	34387		Decal, Instruction (Optional)
370J	34870		Decal, Instruction (Optional)
390B	590635		Rewind Starter (Refer to Division 5, Section C, page 34 or Fiche 8A, Grid G-5 for breakdown)
410	730574		Debris Screen Kit(Incl.370H,411-413)(Opt.)
411	35596		Screen, Debris (Optional)
412	35597		Bracket, Debris screen (Optional)
413	650910		Screw, 8-32 x 1/4 (Optional)
415	730162		Muffler Adapter Kit(Incl.274,277)(Use as req)
425	730571		Starter Muff Kit (Incl.370J,426,427)(Opt.)
426	32203		Starter Air Cleaner (Optional)
427	32204		Starter Air Cleaner Bracket (Optional)
436	611006		Stator Plate Ass'y.(Incl.377,378,437, 442-448)
437	30551		Spring, Breaker box cover
438	610947		Cover, Dust

Ref #	Part Number	Qty	Description
439	610955		Gasket, Stator cover
440	30992		Cam, Breaker
442	610385		Washer
443	610408		Nut, 8-32
444	29181		Breaker Fastening Screw & Washer
445	610593		Condenser Fastening Screw
446	33356		Terminal, Ground