

### VIEW 1 OF 3

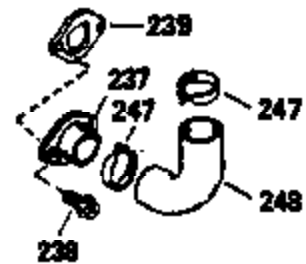
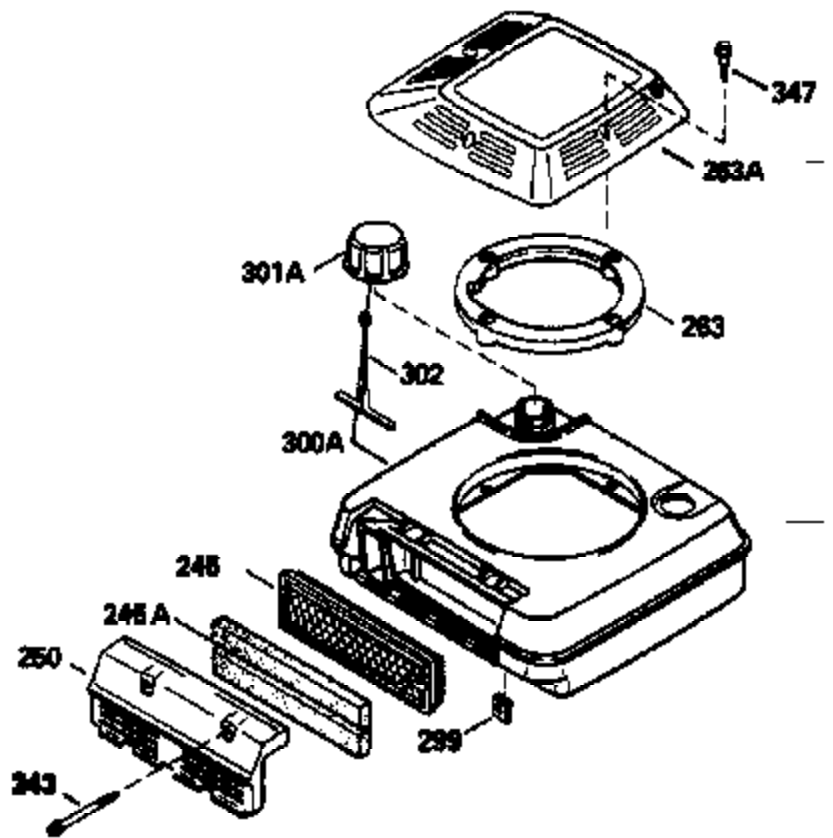


Ref #	Part Number	Qty	Description
1	35001		Cylinder (Incl.2,20,104)(2-5/8")(C I)
2	26727		Pin, Dowel
6	33734		Element, Breather
7	34214A		Breather Ass'y. (Incl. 6, 8, 9, 12 , & 12A)
8	33735		* Gasket, Breather
9	30200		Screw, 10-24 x 9/16"
12	33886		Tube, Breather
14	28277		Washer, Flat
15	30589		Rod, Governor (Incl. 14)
16	31383A		Lever, Governor
17	31335		Clamp, Governor lever
18	650548		Screw, 8-32 x 5/16"
19	33578		Spring, Governor
20	32600		Seal, Oil
30	34570A		Crankshaft
40	35544		Piston, Pin & Ring Set (Std.) (2-5/8" Bore)
40	35545		Piston, Pin & Ring Set (.010" OS)
40	35546		Piston, Pin & Ring Set (.020" OS)
41	35541		Piston & Pin Ass'y. (Incl. 43)(Std.) (2-5/8")
41	35542		Piston & Pin Ass'y. (Incl. 43) (.010" OS)
41	35543		Piston & Pin Ass'y. (Incl. 43) (.020" OS)
42	35547		Ring Set (Std.) (2-5/8" Bore)
42	35548		Ring Set (.010" OS)
42	35549		Ring Set (.020" OS)
43	20381		Ring, Piston pin retaining
45	32875		Rod Assy., Connecting (Incl. 46)
46	32610A		Bolt, Connecting rod
48	27241		Lifter, Valve
50	33553		Camshaft (MCR)
52	29914		Oil Pump Assy.
69	35261		* Gasket, Mounting flange
70	34790C		Flange Ass'y. (Incl.71, 72, 72A, 73, 75 & 80)
71	34837		Bushing, Flange
72	30572		Plug, Oil drain (Incl. 73)
72A	9556		Oil Drain Plug
73	28833		* Drain Plug Gasket (Not req. W/plastic plug)
75	27897		Seal, Oil
80	30574		Shaft, Governor
81	30590A		Washer, Flat
82	30591		Gear Assy., Governor (Incl. 81)
83	30588A		Spool, Governor
84	29193		Ring, Retaining
86	650488		Screw, 1/4-20 x 1-1/4"
89	611004		Flywheel Key
90	611112		Flywheel
92	650815		Washer, Belleville
93	650816		Nut, Flywheel
100	34443A		Solid State Ignition
100	730207		Magneto-to-Solid State Conv. Kit (Includes solid state module, solid state flywheel key, and instructions.) (Use as required on external ignition engines only.)
101	610118		Cover, Spark plug (Use as required)
103	650814		Screw, Torx T-15, 10-24 x 1"
104	34836		Bushing, Cylinder
110	35182		Ground Wire
118	730194		Rope Guide Kit (Use as required)
119	33015A		* Gasket, Head

Ref #	Part Number	Qty	Description
120	34342		Head, Cylinder
125	29314B		Intake Valve (Std.) (Incl. 151) (Conventional Ports)
125	29315C		Intake Valve (1/32" OS) (Incl. 151) (Conventional Ports)
125	29313C		Exhaust Valve (Std.) (Incl. 151) (Inverted Ports)
126	29313C		Exhaust Valve (Std.) (Incl. 151) (Conventional Ports)
126	34776		Exhaust Valve (Std.) (Incl. 151) (Conventional Ports)
126	34777		Exhaust Valve (1/32" OS) (Incl. 151) (Conventional Ports)
126	32644A		Intake Valve (Incl. 151) (Inverted Ports)
130	6021A		Screw, 5/16-18 x 1-1/2" (Use as required)
130	650697A		Screw, 5/16-18 x 2-1/2" (Use as required)
135	35395		Resistor Spark Plug (RJ19LM)
150	31672		Spring, Valve
151	31673		Cap, Lower valve spring
169	27234A		Gasket, Valve spring box cover
172	32755		Cover, Valve spring box
174	650128		Screw, 10-24 x 1/2"
178	29752		Nut & Lockwasher, 1/4-28
182	6201		Screw, 1/4-28 x 7/8"
184	26756		* Gasket, Carburetor
186	34358		Link, Governor spring
200	33131A		Control Bracket (Incl. 202 thru 206)
202	33802		Spring, Compression
203	31342		Spring, Compression
204	650549		Screw, 5-40 x 7/16"
205	650777		Screw, 6-32 x 21/32"
206	610973		Terminal (Use as required)
207	34336		Link, Throttle
209	30200		Screw, 10-24 x 9/16"
210	27793		Clip, Conduit
211	28942		Screw, 10-32 x 3/8"
223	650451		Screw, 1/4-20 x 1"
224	34690A		* Gasket, Intake pipe
227	35917		Elbow Assy., Air cleaner (Incl. 243)
228	650826		Stud, threaded both ends, 1/4-20 x 6. 20
229	650825		Nut & Lockwasher, 1/4-20
232			Pop Rivet (1/8" dia.) (Purchase locally)
233	34699		Bracket, Air cleaner
235	35533		Fitting, Air cleaner elbow
239A	35815		Gasket, Air cleaner
245E	34782		Filter, Air cleaner (Incl. 229)
246E	35435		Filter, Pre-air (Use as required)
246C	34783		Filter, Pre-air
250F	35535		Cover, Air cleaner
250G	35536		Seal, Air cleaner cover
251	650513		Nut, Wing, 1/4-20
260B	35534		Housing, Blower
261	30200		Screw, 10-24 x 9/16"
262	650831		Screw, 1/4-20 x 15/32"
277	650795		Screw, 1/4-20 x 2-1/4" (Use as required)
277	650774		Screw, 1/4-20 x 2-3/8" (Use as required)
277	792005		Screw, 1/4-20 x 2-1/2" (Use as required)
285	35000		Hub, Starter
287B	650884		Screw, 8-32 x 1/2"
290	34357		Fuel Line (Epichlorohydrin 6-3/4")(17 cm)
290	29774		Fuel Line(Braided 8-1/4")(21 cm)(Use as req.)
290	30705		Fuel Line (Braided 16")(40 cm)(Use as req.)
290	30962		Fuel Line (Braided 32")(81 cm)(Use as req.)
292	26460		Clamp, Fuel line

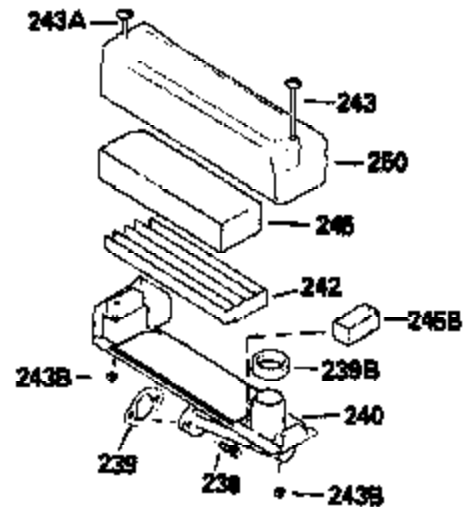
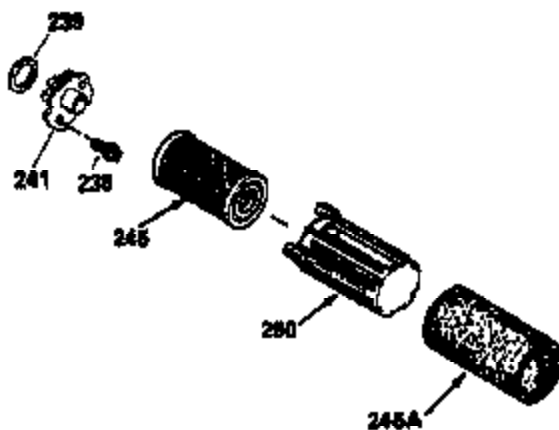
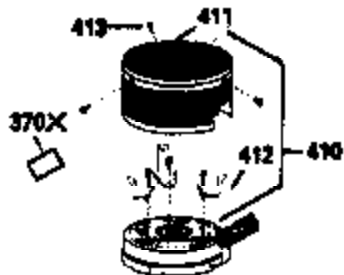
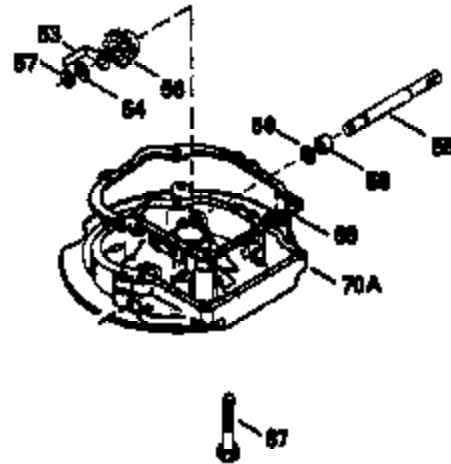
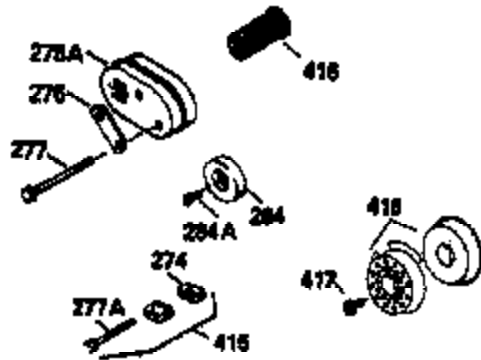
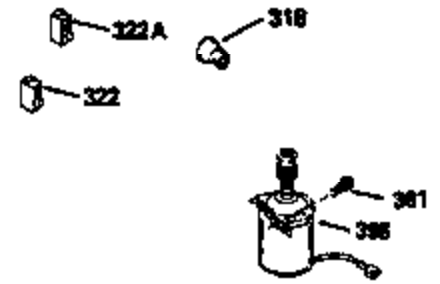
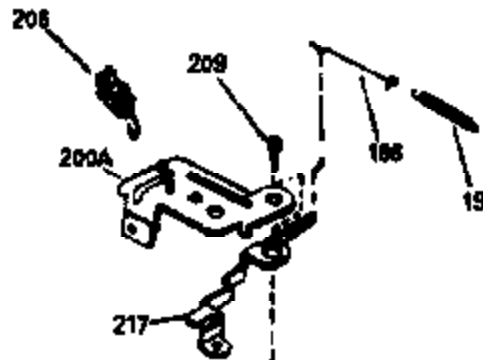
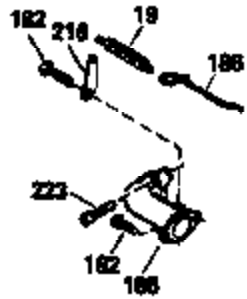
Ref #	Part Number	Qty	Description
298	28763		Screw, 10-32 x 35/64"
301	33032		Fuel Cap (Use as required)
305	35577		Tube, Oil fill
306	34265		Gasket, Oil fill tube
306	34282		"O" Ring (This "O" ring is required with metal fill tube only when replacement mounting flange with .777 dia. oil fill hole has been used.)
307	35499		"O" Ring
309	650562		Screw, 10-32 x 1/2"
310	35578		Dipstick
313	34080		Spacer, Flywheel key
370H	34387		Decal, Instruction (Optional)
370J	34870		Decal, Instruction (Optional)
370E	34704		Decal, Air cleaner
370A	34346		Decal, Instruction
379	631021		Inlet Needle, Seat & Clip Assy.
380	632466		Carburetor (Incl. 184) (Refer to Division 5, Section A, page A2-6 or Fiche 8A, Grid E-9for breakdown)
390B	590635		Rewind Starter (Refer to Division 5, Section C, page 34 or Fiche 8A, Grid G-5 for breakdown)
400	33238D		* Gasket Set (Incl. items marked *)
420	730225		SAE 30, 4-Cycle Engine Oil (Quart)
425	730571		Starter Muff Kit (Incl.370J,426,427)( Opt.)
426	32203		Starter Air Cleaner (Optional)
427	32204		Starter Air Cleaner Bracket (Optional )
436	611006		Stator Plate Ass'y.(Incl.377,378,437, 442-448)
437	30551		Spring, Breaker box cover
438	610947		Cover, Dust
439	610955		Gasket, Stator cover
440	30992		Cam, Breaker
442	610385		Washer
443	610408		Nut, 8-32
444	29181		Breaker Fastening Screw & Washer
445	610593		Condenser Fastening Screw
446	33356		Terminal, Ground

# VIEW 2 OF 3



Ref #	Part Number	Qty	Description
	71 34837		Bushing, Flange
	104 34836		Bushing, Cylinder
	118 730194		Rope Guide Kit (Use as required)
	227 35917		Elbow Assy., Air cleaner (Incl. 243)
	228 650826		Stud, threaded both ends, 1/4-20 x 6. 20
	229 650825		Nut & Lockwasher, 1/4-20
	232		Pop Rivet (1/8" dia.) (Purchase local ly)
	233 34699		Bracket, Air cleaner
	235 35533		Fitting, Air cleaner elbow
239A	35815		Gasket, Air cleaner
	243 650940		Screw, 10-32 x 3/4"
	245E 34782		Filter, Air cleaner (Incl. 229)
	246C 34783		Filter, Pre-air
	246E 35435		Filter, Pre-air (Use as required)
	250G 35536		Seal, Air cleaner cover
	250F 35535		Cover, Air cleaner
	251 650513		Nut, Wing, 1/4-20
	260B 35534		Housing, Blower
	287B 650884		Screw, 8-32 x 1/2"
	287A 650735		Screw, 10-24 x 3/8" (Use as required)
	287A		Pop Rivet (3/16" Dia.) (Purchase loca lly)
	300A 34476		Fuel Tank (Incl. 292 & 301)
	370E 34704		Decal, Air cleaner
	370H 34387		Decal, Instruction (Optional)
	370J 34870		Decal, Instruction (Optional)
	370 34686		Decal, Name
	390B 590635		Rewind Starter (Refer to Division 5, Section C, page 34 or Fiche 8A, Grid G-5 for breakdown)
	425 730571		Starter Muff Kit (Incl.370J,426,427)( Opt.)
	426 32203		Starter Air Cleaner (Optional)
	427 32204		Starter Air Cleaner Bracket (Optional )
	436 611006		Stator Plate Ass'y.(Incl.377,378,437, 442-448)
	437 30551		Spring, Breaker box cover
	438 610947		Cover, Dust
	439 610955		Gasket, Stator cover
	440 30992		Cam, Breaker
	442 610385		Washer
	443 610408		Nut, 8-32
	444 29181		Breaker Fastening Screw & Washer
	445 610593		Condenser Fastening Screw
	446 33356		Terminal, Ground

# VIEW 3 OF 3



Ref #	Part Number	Qty	Description
19	33578		Spring, Governor
69	35261		* Gasket, Mounting flange
71	34837		Bushing, Flange
104	34836		Bushing, Cylinder
118	730194		Rope Guide Kit (Use as required)
182	6201		Screw, 1/4-28 x 7/8"
185	33004A		Pipe, Intake (Incl. 224)
186	34358		Link, Governor spring
206	610973		Terminal (Use as required)
209	30200		Screw, 10-24 x 9/16"
223	650451		Screw, 1/4-20 x 1"
227	35917		Elbow Assy., Air cleaner (Incl. 243)
228	650826		Stud, threaded both ends, 1/4-20 x 6. 20
229	650825		Nut & Lockwasher, 1/4-20
232			Pop Rivet (1/8" dia.) (Purchase local ly)
233	34699		Bracket, Air cleaner
235	35533		Fitting, Air cleaner elbow
239A	35815		Gasket, Air cleaner
239B	34698A		Gasket, Air cleaner bracket
243	650940		Screw, 10-32 x 3/4"
245E	34782		Filter, Air cleaner (Incl. 229)
246E	35435		Filter, Pre-air (Use as required)
246C	34783		Filter, Pre-air
250F	35535		Cover, Air cleaner
250G	35536		Seal, Air cleaner cover
251	650513		Nut, Wing, 1/4-20
260B	35534		Housing, Blower
274	26754A		* Gasket, Exhaust (Use as required)
275A	35603		Muffler (Incl. 277)
276	33753		Plate, Locking
277	650795		Screw, 1/4-20 x 2-1/4" (Use as required)
277	650774		Screw, 1/4-20 x 2-3/8" (Use as required)
277	792005		Screw, 1/4-20 x 2-1/2" (Use as required)
277A	30063		Screw, Torx T-30, 1/4-20 x 1/2" (Use as req.)
284	34422		Deflector, Exhaust
284A	650760		Screw, 8-32 x 3/8"
287B	650884		Screw, 8-32 x 1/2"
370E	34704		Decal, Air cleaner
370H	34387		Decal, Instruction (Optional)
370J	34870		Decal, Instruction (Optional)
390B	590635		Rewind Starter (Refer to Division 5, Section C, page 34 or Fiche 8A, Grid G-5 for breakdown)
410	730574		Debris Screen Kit(Incl.370H,411-413)( Opt.)
411	35596		Screen, Debris (Optional)
412	35597		Bracket, Debris screen (Optional)
413	650910		Screw, 8-32 x 1/4 (Optional)
415	730162		Muffler Adapter Kit(Incl.274,277)(Use as req)
425	730571		Starter Muff Kit (Incl.370J,426,427)( Opt.)
426	32203		Starter Air Cleaner (Optional)
427	32204		Starter Air Cleaner Bracket (Optional )
436	611006		Stator Plate Ass'y.(Incl.377,378,437, 442-448)
437	30551		Spring, Breaker box cover
438	610947		Cover, Dust
439	610955		Gasket, Stator cover
440	30992		Cam, Breaker
442	610385		Washer
443	610408		Nut, 8-32



Ref #	Part Number	Qty	Description
444	29181		Breaker Fastening Screw & Washer
445	610593		Condenser Fastening Screw
446	33356		Terminal, Ground