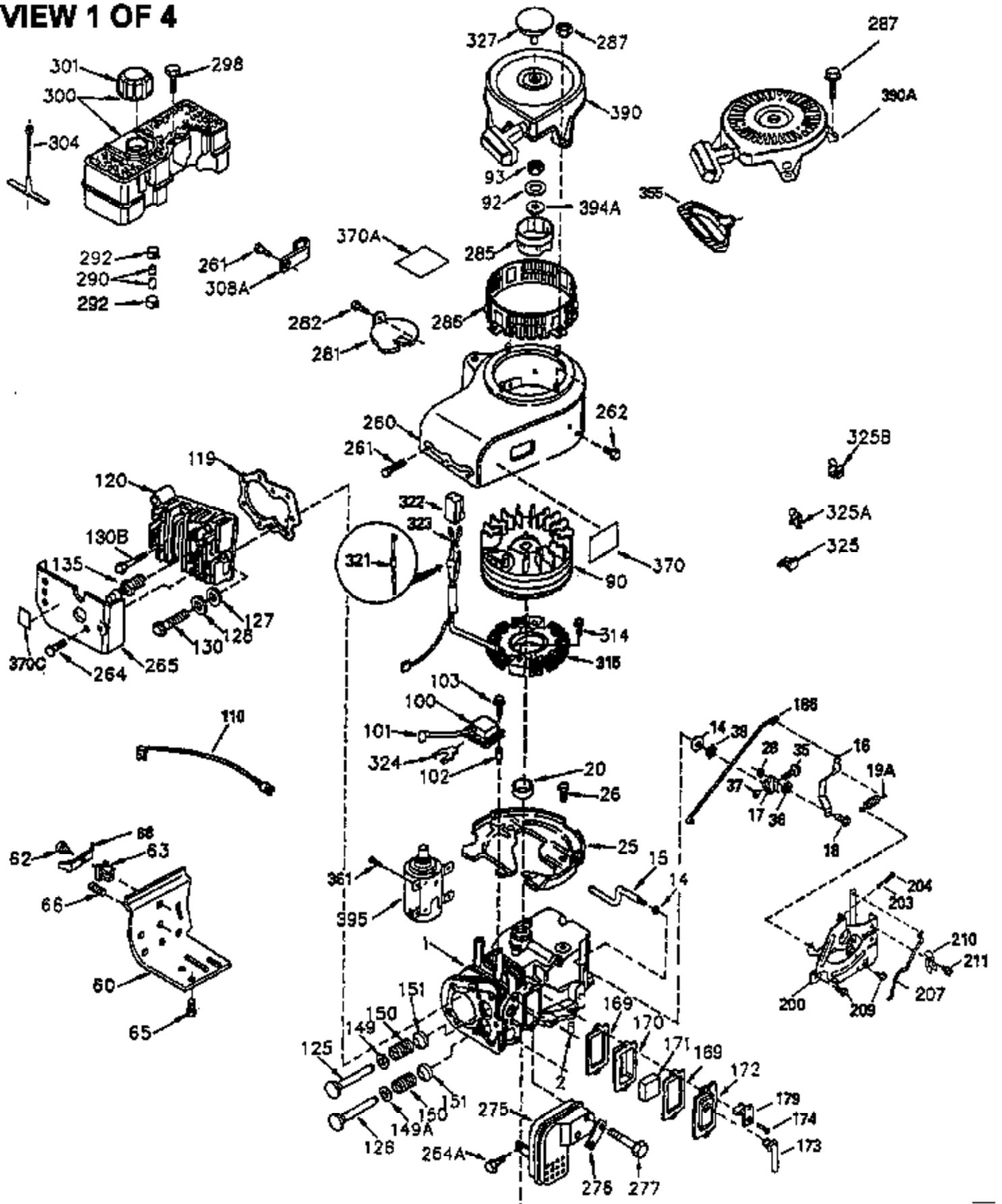


ILLUSTRATION SHOWS TYPICAL PARTS ONLY. ORDER BY PART NUMBER. PARTS NOT LISTED ARE SUPPLIED BY OEM.

**VIEW 1 OF 4**



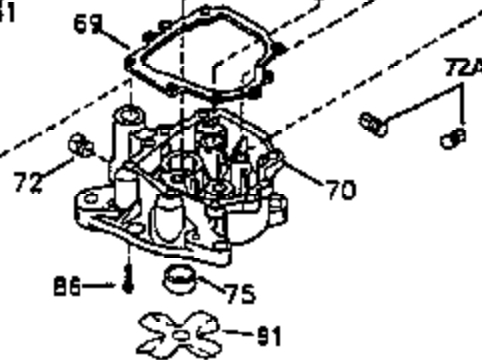
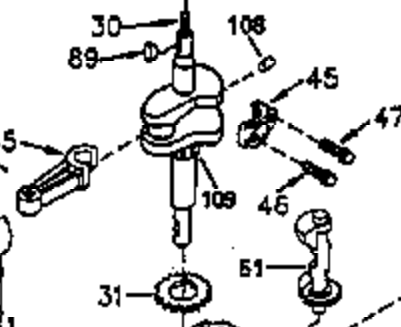
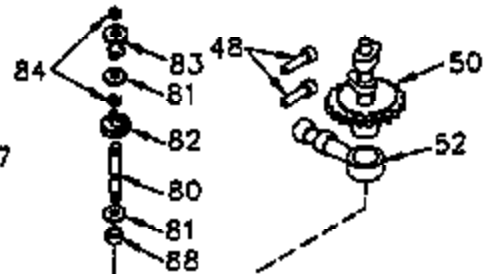
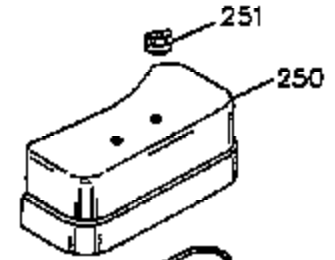
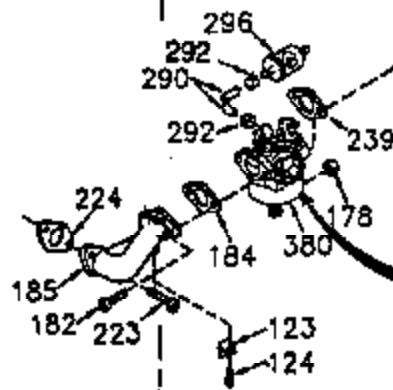
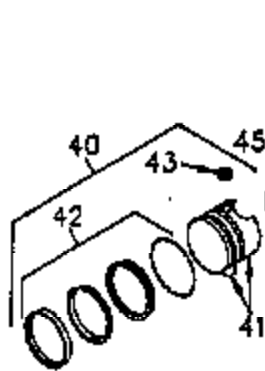
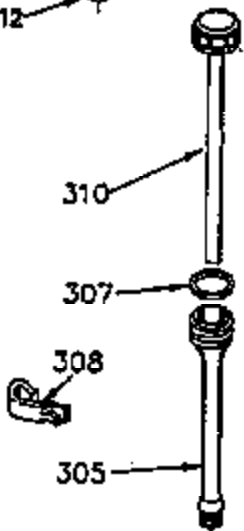
CONTINUED ON PAGE 3

Ref #	Part Number	Qty	Description
1	35383A	1	Cylinder (Incl. 2 & 20)
2	27652	2	Dowel Pin
14	28277	2	Washer
15	35082	1	Governor Rod
16	32651	1	Governor Lever
17	29916	1	Governor Lever Clamp
18	650548	1	Screw, 8-32 x 5/16"
19A	35203	1	Control Spring
19A	34043	1	Extension Spring
20	35319	1	Oil Seal
25	36460	1	Blower Housing Baffle
26	650561	2	Screw, 1/4-20 x 5/8"
28	30322	1	Lock Nut, 8-32
35	29826	1	Screw, 10-32 x 3/4"
36	29918	1	Lock Washer
37	29216	1	Lock Nut, 10-32
38	29642	1	Retaining Ring
46	650908	1	Connecting Rod Bolt
60	33273A	1	Blower Housing Extension
64	30063	1	Screw, Torx T-30, 1/4-20 x 1/2"
65	650128	1	Screw, 10-24 x 1/2"
90	611093	1	Flywheel
92	650880	1	Lock Washer
93	650881	1	Flywheel Nut
100	35135	1	Solid State Ignition
101	610118	1	Spark Plug Cover
102	650872	2	Solid State Mounting Stud
103	650814	2	Screw, Torx T-15, 10-24 x 1"
110	35195A	1	Ground Wire
119	36448	1	* Cylinder Head Gasket
120	36449	1	Cylinder Head
125	27878A	1	Exhaust Valve (Std.) (Incl. 151)
125	27880A	1	Exhaust Valve (1/32" OS) (Incl. 151)
126	34035	1	Intake Valve (Std.) (Incl. 151)
126	34036	1	Intake Valve (1/32" OS) (Incl. 151)
127	650691	9	Washer
128	650690	9	Belleville Washer
130	650694A	9	Screw, 5/16-18 x 2"
135	33636	1	Resistor Spark Plug (RJ17LM)
149A	35862	1	Valve Spring Cap
149	27882	1	Valve Spring Cap
150	27881	2	Valve Spring
151	32581	2	Valve Spring Keeper
169	27896A	2	* Valve Cover Gasket
170	28423	1	Breather Body
171	28424	1	Breather Element
172	28425	1	Valve Cover
173	35350	1	Breather Tube
174	650128	2	Screw, 10-24 x 1/2"
186	33860	1	Governor Link
200	35201	1	Control Bracket
209	30200	2	Screw, 10-24 x 9/16"
210	27793	1	Conduit Clip
211	28942	1	Screw, 10-32 x 3/8"
251A	650825	2	Nut & Lock Washer, 1/4-20
260	34094B	1	Blower Housing
261	650788	2	Screw, 5/16-18 x 3/4"
262	29747B	2	Screw, Torx T-40, 5/16-24 x 21/32"

Ref #	Part Number	Qty	Description
264	650802	1	Screw, 1/4-20 x 5/8"
264A	650738	1	Screw, 1/4-20 x 5/8"
265	33272B	1	Cylinder Head Cover
285	35985A	1	Starter Cup
286	35446	1	Starter Screen
287	29752	4	Nut & Lockwasher, 1/4-28
290	34357	1	Fuel Line
292	26460	3	Fuel Line Clamp
308A	33997	1	Fill Tube Clip
314	650873	2	Screw, 1/4-20 x 3/4"
315	611113	1	Alternator Coil (3Amp)(Incl. 321, 322 & 323)
321	611161	1	Diode
322A	611114	1	Connector Body
322	610921	1	Connector Body
323A	610822	1	Terminal
323	610922	1	Connector Body
324	33177	1	Terminal
325A	27275	1	Wire Clip
325	34246	1	Wire Clip
325	29443	1	Wire Clip
327	35392	1	Starter Plug
361	650990	4	Screw, 5/16-18 x 15/32"
370A	35274	1	Oil Instruction Decal
370	36261	1	Lubrication Decal
390	590671	1	Rewind Starter (Note: This engine could have been built with 590704 starter. Refer to the design of the air intake louvers for part identification. Individual starter parts do not interchange.)
395	35763A	1	Electric Starter Motor (12 Volt)

# VIEW 2 OF 4

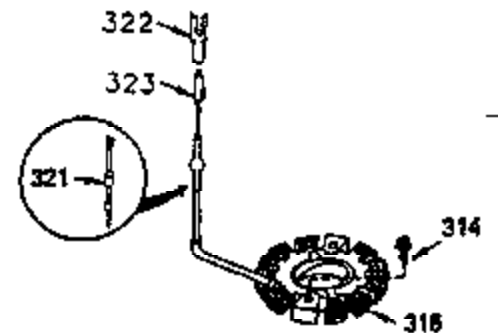
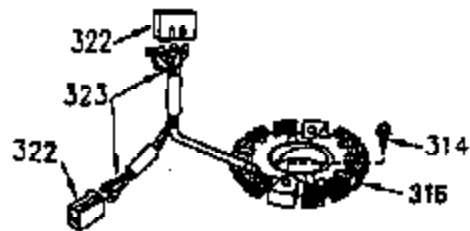
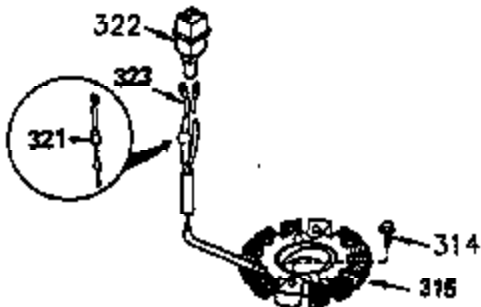
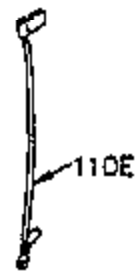
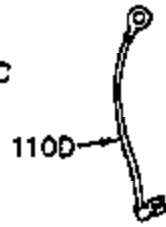
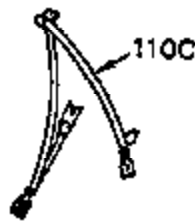
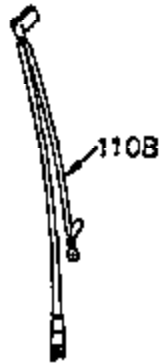
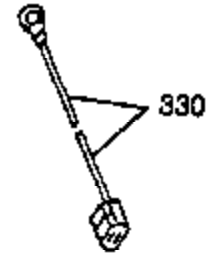
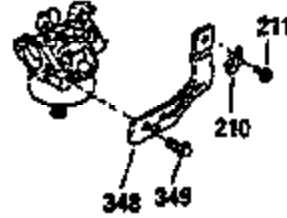
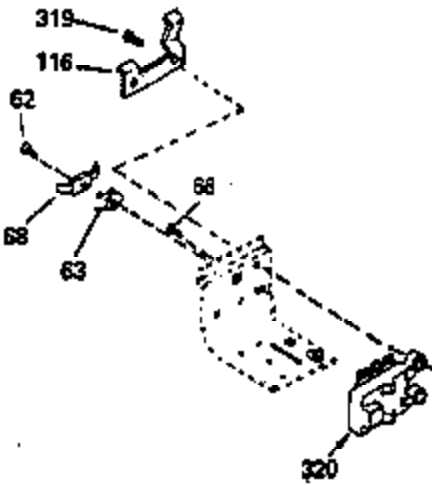
CONTINUED FROM PAGE 2



Ref #	Part Number	Qty	Description
30	35380A	1	Crankshaft
40	34552	1	Piston, Pin & Ring Set (Std.)
40	34553	1	Piston, Pin & Ring Set (.010" OS)
40	34554	1	Piston, Pin & Ring Set (.020" OS)
41	34329A	1	Piston & Pin Ass'y. (Std.) (Incl. 43)
41	34330A	1	Piston & Pin Ass'y. (.010" OS) (Incl. 43)
41	34331A	1	Piston & Pin Ass'y. (.020" OS) (Incl. 43)
42	34332	1	Ring Set (Std.)
42	34333	1	Ring Set (.010" OS)
42	34334	1	Ring Set (.020" OS)
43	27888	2	Piston Pin Retaining Ring
45	35373A	1	Connecting Rod Ass'y. (Incl. 46 & 47)
46	650908	1	Connecting Rod Bolt
47	650882	1	Connecting Rod Bolt
48	34034	2	Valve Lifter
50	35381	1	Camshaft (MCR)
52	31356	1	Oil Pump Ass'y.
64	30063	1	Screw, Torx T-30, 1/4-20 x 1/2"
69	35262	1	* Mounting Flange Gasket
70	35382A	1	Mounting Flange (Incl. 72,75,80 & 81)
72	31927	1	Oil Drain Plug
75	35319	1	Oil Seal
80	30668	1	Governor Shaft
81	30590A	2	Washer
82	35378	1	Governor Gear Ass'y. (Incl. 81)
83	30588A	1	Governor Spool
84	29193	2	Retaining Ring
86	650833	8	Screw, 1/4-20 x 1-3/16"
88	31707A	1	Spacer (Incl. 81)
89	32589	1	Flywheel Key
123	33261	1	Intake Pipe Brace
124	650738	3	Screw, 1/4-20 x 5/8"
178	29752	2	Nut & Lock Washer, 1/4-28
182	30088A	2	Screw, 1/4-28 x 1"
184	33263	1	* Carburetor To Intake Pipe Gasket
185	34926	1	Intake Pipe
223	650378	2	Screw, Torx T-30, 5/16-18 x 1-1/8"
224	27915A	1	* Intake Pipe Gasket
238	650834	2	Screw, 10-32 x 1-17/32"
239	33629	1	* Air Cleaner Gasket
240	35538B	1	Air Cleaner Body (Incl. 239)
245A	35404	1	Air Cleaner Filter
245	35403	1	Air Cleaner Filter (Incl. 251A)
250	35961	1	Air Cleaner Cover
251	650886	2	Wing Nut, 1/4-20
251A	650825	2	Nut & Lock Washer, 1/4-20
290	34357	1	Fuel Line
292	26460	3	Fuel Line Clamp
296	34279B	1	Fuel Filter (Incl. 292)
305	35574	1	Oil Fill Tube
307	35499	1	"O" Ring
308	35437	1	Fill Tube Clip
310	35576	1	Dipstick
322A	611114	1	Connector Body
323A	610822	1	Terminal
380	632238	1	Carburetor (Incl. 184)

Ref #	Part Number	Qty	Description
400	36450	1	* Gasket Set (Incl. items marked PK i n notes) Incl. part #'s 27272A (1), 27896A (2), 27915A (1), 29673 (1), 33263 (1), 33629 (1), 34698A (1), 35262 (1), 36448 (1)
420	730225	1	SAE 30 4-Cycle Engine Oil (Quart)

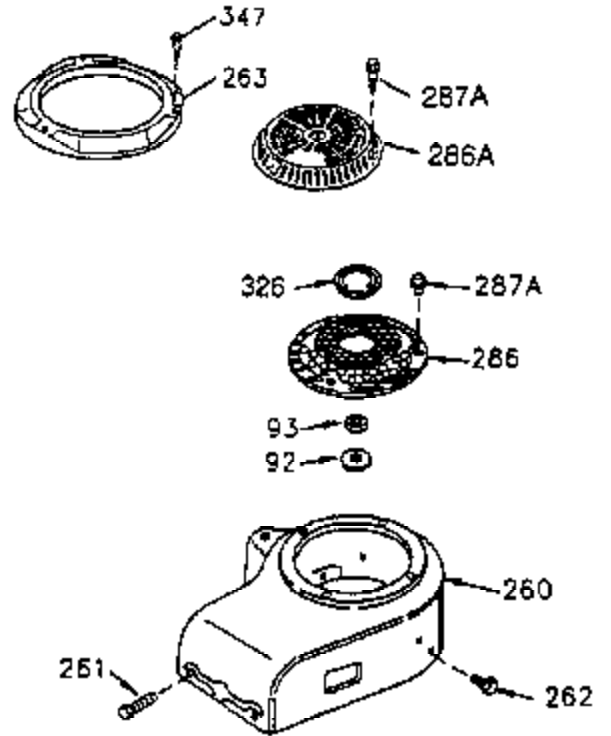
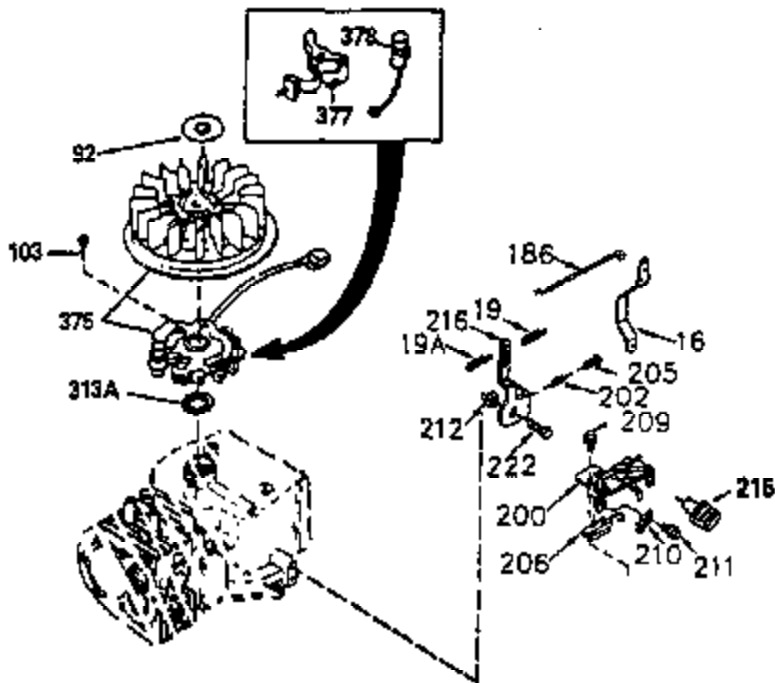
### VIEW 3 OF 4



Ref #	Part Number	Qty	Description
46	650908	1	Connecting Rod Bolt
64	30063	1	Screw, Torx T-30, 1/4-20 x 1/2"
210	27793	1	Conduit Clip
211	28942	1	Screw, 10-32 x 3/8"
251A	650825	2	Nut & Lock Washer, 1/4-20
314	650873	2	Screw, 1/4-20 x 3/4"
315	611113	1	Alternator Coil (3Amp)(Incl. 321, 322 & 323)
321	611161	1	Diode
322A	611114	1	Connector Body
322	610921	1	Connector Body
323A	610822	1	Terminal
323	610922	1	Connector Body



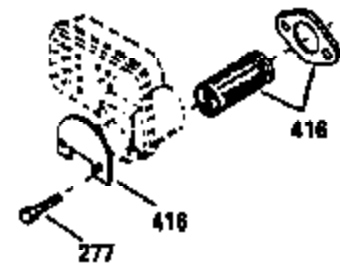
**VIEW 4 OF 4**  
 STANDARD POINT IGNITION



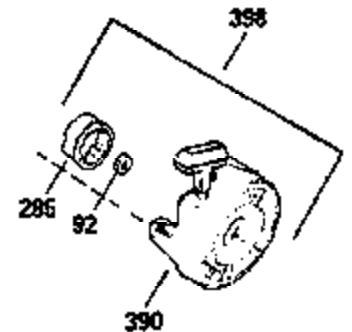
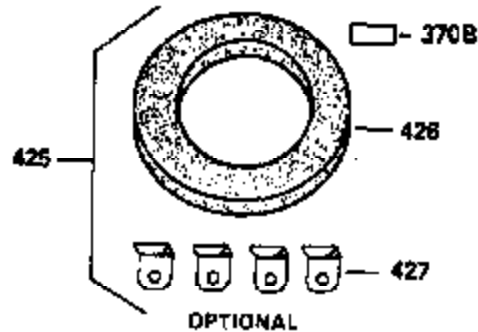
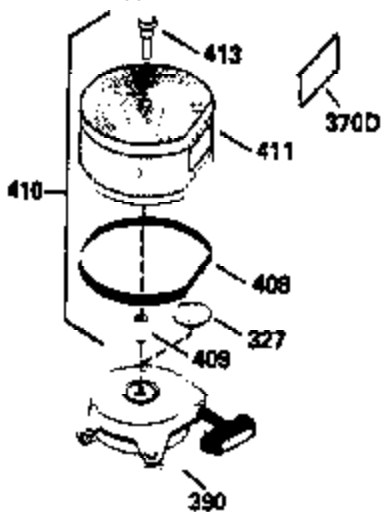
**MUFFLER (QUIET)  
 (OPTIONAL)**



**OPTIONAL SPARK ARRESTOR**



**DEBRIS SCREEN KIT  
 (OPTIONAL)**



Ref #	Part Number	Qty	Description
16	32651	1	Governor Lever
19A	35203	1	Control Spring
19A	34043	1	Extension Spring
46	650908	1	Connecting Rod Bolt
64	30063	1	Screw, Torx T-30, 1/4-20 x 1/2"
92	650880	1	Lock Washer
93	650881	1	Flywheel Nut
103	650814	2	Screw, Torx T-15, 10-24 x 1"
186	33860	1	Governor Link
200	35201	1	Control Bracket
202	36482	2	Compression Spring
205	650777	2	Screw, 6/32 x 21/32"
206	610973	1	Terminal
209	30200	2	Screw, 10-24 x 9/16"
210	27793	1	Conduit Clip
211	28942	1	Screw, 10-32 x 3/8"
212	35550	1	Bushing
216	35202A	1	R.P.M. Adj. Lever (Incl. 19A, 212, 22 2 & 239)
222	30312	1	Screw, 10-32 x 1/2"
251A	650825	2	Nut & Lock Washer, 1/4-20
260	34094B	1	Blower Housing
261	650788	2	Screw, 5/16-18 x 3/4"
262	29747B	2	Screw, Torx T-40, 5/16-24 x 21/32"
285	35985A	1	Starter Cup
286	35446	1	Starter Screen
322A	611114	1	Connector Body
323A	610822	1	Terminal
327	35392	1	Starter Plug
390	590671	1	Rewind Starter (Note: This engine could have been built with 590704 starter. Refer to the design of the air intake louvers for part identification. Individual starter parts do not interchange.)