

ILLUSTRATION SHOWS TYPICAL PARTS ONLY. ORDER BY PART NUMBER. PARTS NOT LISTED ARE SUPPLIED BY OEM.

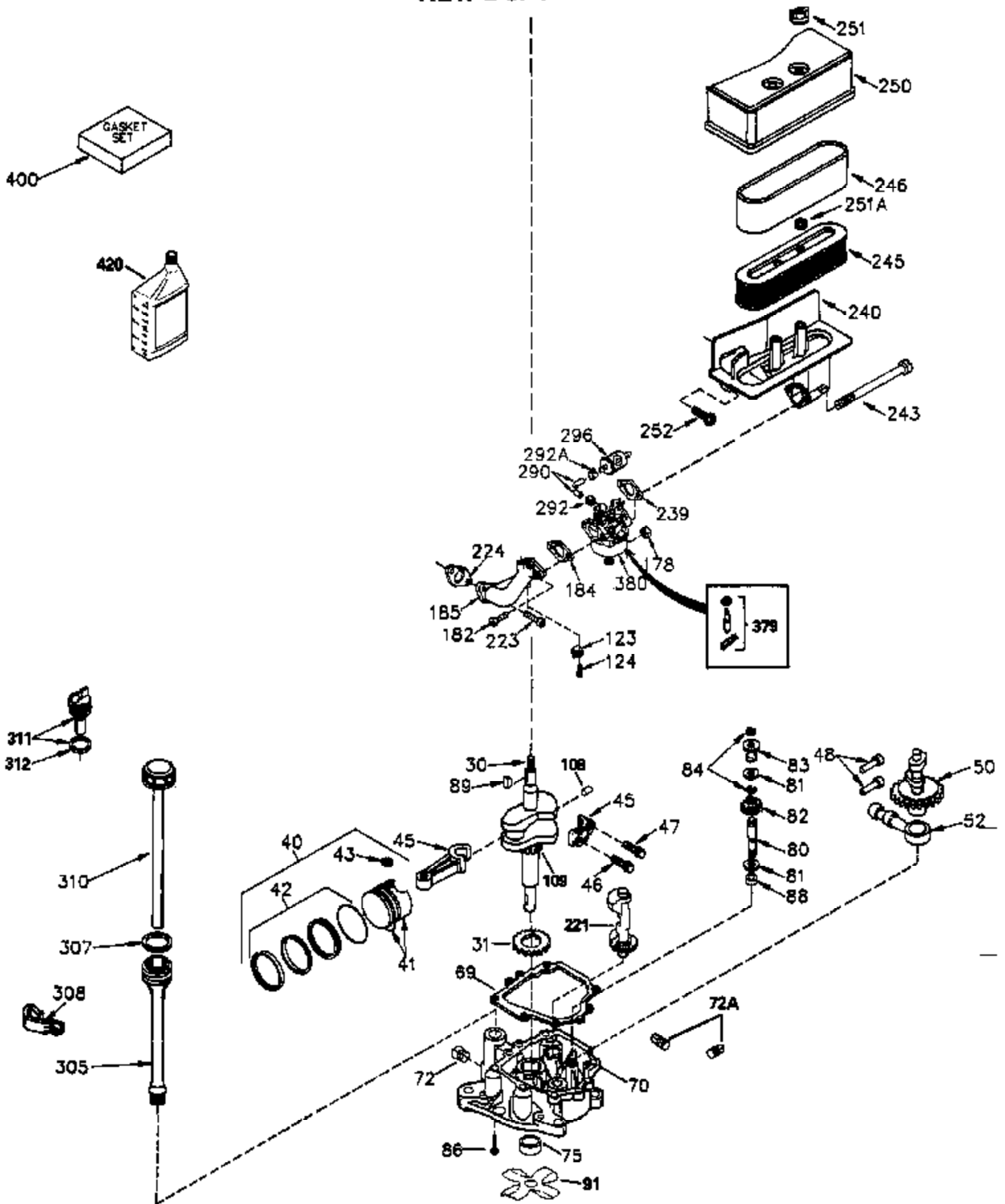


Ref #	Part Number	Qty	Description
	1 34328B		Cylinder (Incl. 2, 20 & 149A) (3-1/8" Bore)
	2 27652		Dowel Pin
	14 28277		Washer
	15 35082		Governor Rod
	16 32651		Governor Lever
	17 31335		Governor Lever Clamp
	18 650548		Screw, 8-32 x 5/16"
	20 32630		Oil Seal
	20 35319		Oil Seal
	25 35256A		Blower Housing Baffle
	26 650561		Screw, 1/4-20 x 5/8"
	60 33273A		Blower Housing Extension
	64 30063		Screw, Torx T-30, 1/4-20 x 1/2"
	65 650128		Screw, 10-24 x 1/2"
	92 650880		Lock Washer
	93 650881		Flywheel Nut, 5/8-18
	93 8116		Nut, 1/2-20
	101 610118		Spark Plug Cover (use as required)
	102 650872		Solid State Mounting Stud
	103 650814		Screw, Torx T-15, 10-24 x 1"
	119 34041A		* Cylinder Head Gasket
	120 34030A		Cylinder Head
	125 27878A		Exhaust Valve (Std.) (Incl. 151)
	125 27880A		Exhaust Valve (1/32" OS) (Incl. 151)
	126 34035		Intake Valve (Std.) (Incl. 151)
	126 34036		Intake Valve (1/32" OS) (Incl. 151)
	127 650691		Washer (Do not use with 6021A screw)
	128 650690		Belleville Washer
	130 650694A		Screw, 5/16-18 x 2"
	131 6021A		Screw, 5/16-18 x 1-1/2" (Do not use w /650691)
	135 33636		Resistor Spark Plug (RJ17LM)
	149A 35862		Valve Spring Cap (Intake)
	149 27882		Valve Spring Cap (Exhaust)
	150 27881		Valve Spring
	151 32581		Valve Spring Keeper
	169 27896A		* Valve Cover Gasket
	170 28423		Breather Body
	171 28424		Breather Element
	172 28425		Valve Cover
	173 35350		Breather Tube
	174 650128		Screw, 10-24 x 1/2"
	186 33151		Governor Link
	200 33865B		Control Bracket (Incl. 203, 204 & 206)
	203 31342		Compression Spring
	204 650549		Screw, 5-40 x 7/16"
	209 30200		Screw, 10-24 x 9/16"
	210 27793		Conduit Clip
	211 28942		Screw, 10-32 x 3/8"
	238 650834		Screw, 10-32 x 1-17/32"
	245A 35404		Air Cleaner Filter
	260 33635C		Blower Housing (For electric starter) NOTE: Replacement hardware may differ when servicing starter assy. or blower housing. Refer to Service Bulletin 508.
	261 650788		Screw, 5/16-18 x 3/4"
	262 29747B		Screw, Torx T-40, 5/16-24 x 21/32"
	264 650802		Screw, 1/4-20 x 5/8"
	264A 650738		Screw, 1/4-20 x 5/8"

Ref #	Part Number	Qty	Description
265	33272B		Cylinder Head Cover
276	31588		Locking Plate
277	650729		Screw, 5/16-18 x 3-3/16"
281	33013		Starter Bubble Cover
282	650760		Screw, 8-32 x 3/8"
285	32125		Starter Cup
286	35446		Starter Screen
287	29752		Nut & Lock Washer, 1/4-28
290	30705		Fuel Line (braided 16") (40cm)
292	26460		Fuel Line Clamp
298	28763		Screw, 10-32 x 35/64"
300	33583B		Fuel Tank (Incl. 292, 298 & 301)
301	35355		Fuel Cap NOTE: This tank was built with different size fuel inlet openings. Tanks with the 1-1/2" I.D. opening use fuel cap 33032. Tanks with the 1-3/4" I.D. opening use fuel cap 35355.
327	35392		Starter Plug
370	34346		Instruction Decal
370A	34686		Name Decal
370C	35274		Instruction Decal
390	590633		Rewind Starter NOTE: Replacement hardware may differ when servicing starter assy. or blower housing. Refer to Service Bulletin 508. (Refer to Division 5, Section C, page 30 for breakdown or Fiche 10B, Grid G-1)
398	590685		Rewind Starter & Cup Ass'y. (This assembly replaces 590633 starter. This assembly consists of a 590671 rewind starter and a 35965A starter cup.)

ILLUSTRATION SHOWS TYPICAL PARTS ONLY. ORDER BY PART NUMBER. PARTS NOT LISTED ARE SUPPLIED BY OEM.

VIEW 2 of 4

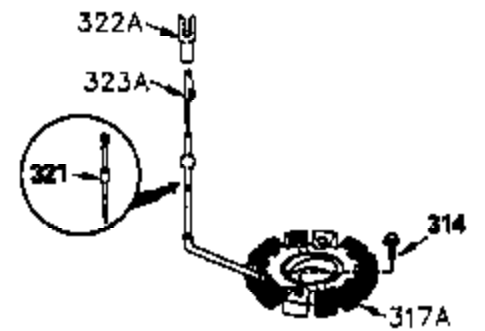
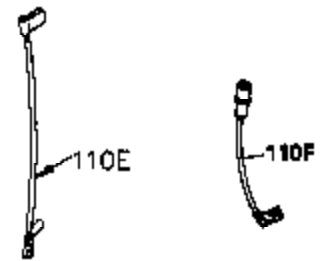
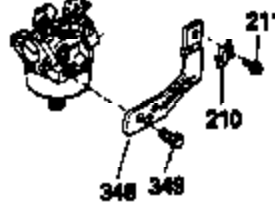


Ref #	Part Number	Qty	Description
30	33644B		Crankshaft (Incl. 108 & 109)
30	35380A		Crankshaft
40	34552		Piston, Pin & Ring Set (Std.) (3-1/8")
40	34553		Piston, Pin & Ring Set (.010" OS)
40	34554		Piston, Pin & Ring Set (.020" OS)
41	34329A		Piston & Pin Ass'y. (Std.) (Incl. 43)
41	34330A		Piston & Pin Ass'y. (.010" OS) (Incl. 43)
41	34331A		Piston & Pin Ass'y. (.020" OS) (Incl. 43)
42	34332		Ring Set (Std.)
42	34333		Ring Set (.010" OS)
42	34334		Ring Set (.020" OS)
43	27888		Piston Pin Retaining Ring
45	32591C		Connecting Rod (Incl. 47)
47	650662C		Connecting Rod Bolt (2 pieces)
48	34034		Valve Lifter
50	34040		Camshaft (MCR)
52	31356		Oil Pump
69	35262		* Mounting Flange Gasket
70	33580		Mounting Flange (Incl. 72, 75, 80 & 8 1)
72	31927		Oil Drain Plug
75	31950		Oil Seal
80	30668		Governor Shaft
81	30590A		Washer
82	30591		Governor Gear (Incl. 81)
83	30588A		Governor Spool
84	29193		Retaining Ring
86	650833		Screw, 1/4-20 x 1-3/16"
88	31707A		Spacer (Incl. 81)
89	32589		Flywheel Key
91	610934		Flywheel Fan
108	29783		Crankshaft Pin
109	33245		Crankshaft Gear
123	33261		Intake pipe Brace
124	650738		Screw, 1/4-20 x 5/8"
178	29752		Nut & Lock Washer, 1/4-28
182	30088A		Screw, 1/4-28 x 1"
184	33263		* Carburetor To Intake Pipe Gasket
185	34926		Intake Pipe
203	31342		Compression Spring
204	650549		Screw, 5-40 x 7/16"
223	650378		Screw, Torx T-30, 5/16-18 x 1-1/8"
224	27915A		* Intake Pipe Gasket
238	650834		Screw, 10-32 x 1-17/32"
240	35538B		Air Cleaner Body (Incl. 239)
245	35403		Air Cleaner Filter (Incl. 251)
245A	35404		Air Cleaner Filter
250	35405		Air Cleaner Cover
251	650886		Wing Nut, 1/4-20
251A	650825		Nut & Lock Washer, 1/4-20
252	650887		Screw, 1/4-20 x 1"
290	30705		Fuel Line (braided 16") (40cm)
292	26460		Fuel Line Clamp
305	35574		Oil Tube
307	35499		"O" Ring
308	35437		Fill Tube Clip
310	35576		Dipstick
379	631021		Inlet Needle, Seat & Clip Ass'y.

Ref #	Part Number	Qty	Description
380	632237		Carburetor (Incl. 184) (Refer to Division 5, Section A, page A3-4 for breakdown or Fiche 10B, Grid E-3)
398	590685		Rewind Starter & Cup Ass'y. (This assembly replaces 590633 starter. This assembly consists of a 590671 rewind starter and a 35965A starter cup.)
400	33279G		* Gasket Set (Incl. items marked *)
420	730225		SAE 30 4-Cycle Engine Oil (Quart)

ILLUSTRATION SHOWS TYPICAL PARTS ONLY. ORDER BY PART NUMBER. PARTS NOT LISTED ARE SUPPLIED BY OEM.

VIEW 3 of 4

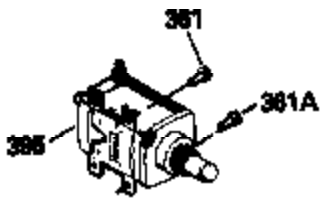


Ref #	Part Number	Qty	Description
64	30063		Screw, Torx T-30, 1/4-20 x 1/2"
203	31342		Compression Spring
204	650549		Screw, 5-40 x 7/16"
210	27793		Conduit Clip
211	28942		Screw, 10-32 x 3/8"
238	650834		Screw, 10-32 x 1-17/32"
245A	35404		Air Cleaner Filter
274	35865		Exhaust Gasket (use as required)
277	650729		Screw, 5/16-18 x 3-3/16"
398	590685		Rewind Starter & Cup Ass'y. (This assembly replaces 590633 starter. This assembly consists of a 590671 rewind starter and a 35965A starter cup.)
415	730130		Exh.Adapter Kit(Incl.274 & 277)(As Re q.)

ILLUSTRATION SHOWS TYPICAL PARTS ONLY. ORDER BY PART NUMBER. PARTS NOT LISTED ARE SUPPLIED BY OEM.

STANDARD POINT IGNITION

VIEW 4 of 4



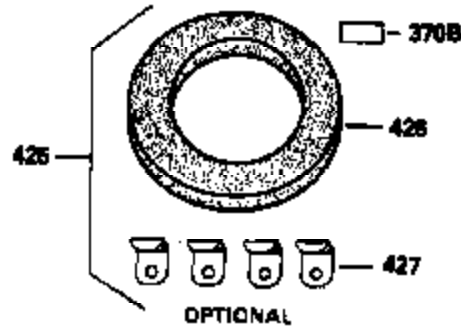
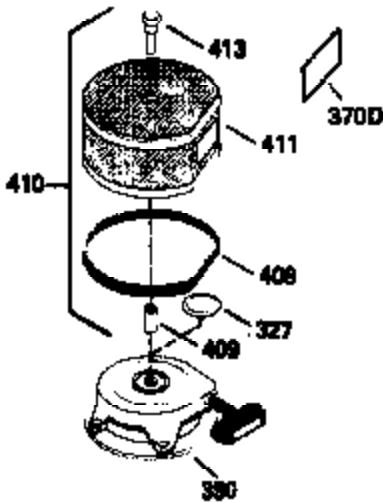
MUFFLER (QUIET)
 (OPTIONAL)



OPTIONAL SPARK
 ARRESTOR



DEBRIS SCREEN KIT
 (OPTIONAL)



Ref #	Part Number	Qty	Description
16	32651		Governor Lever
19	34043		Extension Spring
92	650880		Lock Washer
93	650881		Flywheel Nut, 5/8-18
93	8116		Nut, 1/2-20
103	650814		Screw, Torx T-15, 10-24 x 1"
186	33151		Governor Link
200	33865B		Control Bracket (Incl. 203, 204 & 206)
203	31342		Compression Spring
204	650549		Screw, 5-40 x 7/16"
206	610973		Terminal
209	30200		Screw, 10-24 x 9/16"
210	27793		Conduit Clip
211	28942		Screw, 10-32 x 3/8"
238	650834		Screw, 10-32 x 1-17/32"
245A	35404		Air Cleaner Filter
260	33635C		Blower Housing (For electric starter) NOTE: Replacement hardware may differ when servicing starter assy. or blower housing. Refer to Service Bulletin 508.
261	650788		Screw, 5/16-18 x 3/4"
262	29747B		Screw, Torx T-40, 5/16-24 x 21/32"
275C	35824		Muffler (quiet) (optional)
277	650729		Screw, 5/16-18 x 3-3/16"
286	35446		Starter Screen
287	29752		Nut & Lock Washer, 1/4-28
287A			Pop Rivet (can be purchased locally)
313A	33876		Spacer
327	35392		Starter Plug
375	610842		Magneto NOTE: The following complete magnetos are not available as an assembly. The magneto numbers are shown for reference purposes only. Order component parts individually, as shown in parts breakdown. (Refer to Division 5, Section B, page 28 for breakdown or Fiche 10B, Grid E-1)
377	30547A		Breaker Points
378	30548B		Condenser
390	590633		Rewind Starter NOTE: Replacement hardware may differ when servicing starter assy. or blower housing. Refer to Service Bulletin 508. (Refer to Division 5, Section C, page 30 for breakdown or Fiche 10B, Grid G-1)
398	590685		Rewind Starter & Cup Ass'y. (This assembly replaces 590633 starter. This assembly consists of a 590671 rewind starter and a 35965A starter cup.)
408	35570		Screen Seal (Optional)
409	35569		Spacer (Optional)
410	730573		Opt. Screen Kit (Incl. 370D, 408, 409, 411, 413)
411	35568		Debris Screen (Optional)
413	650907		Screw, 5/16-18 x 1-5/8" (Optional)
416	34479A		Spark Arrestor Kit
425	730572		Starter Muff Kit (Incl. 370, 426, 427) (O pt.)
426	34687		Starter Air Cleaner (Optional)
427	34869		Starter Air Cleaner Bracket (Optional)