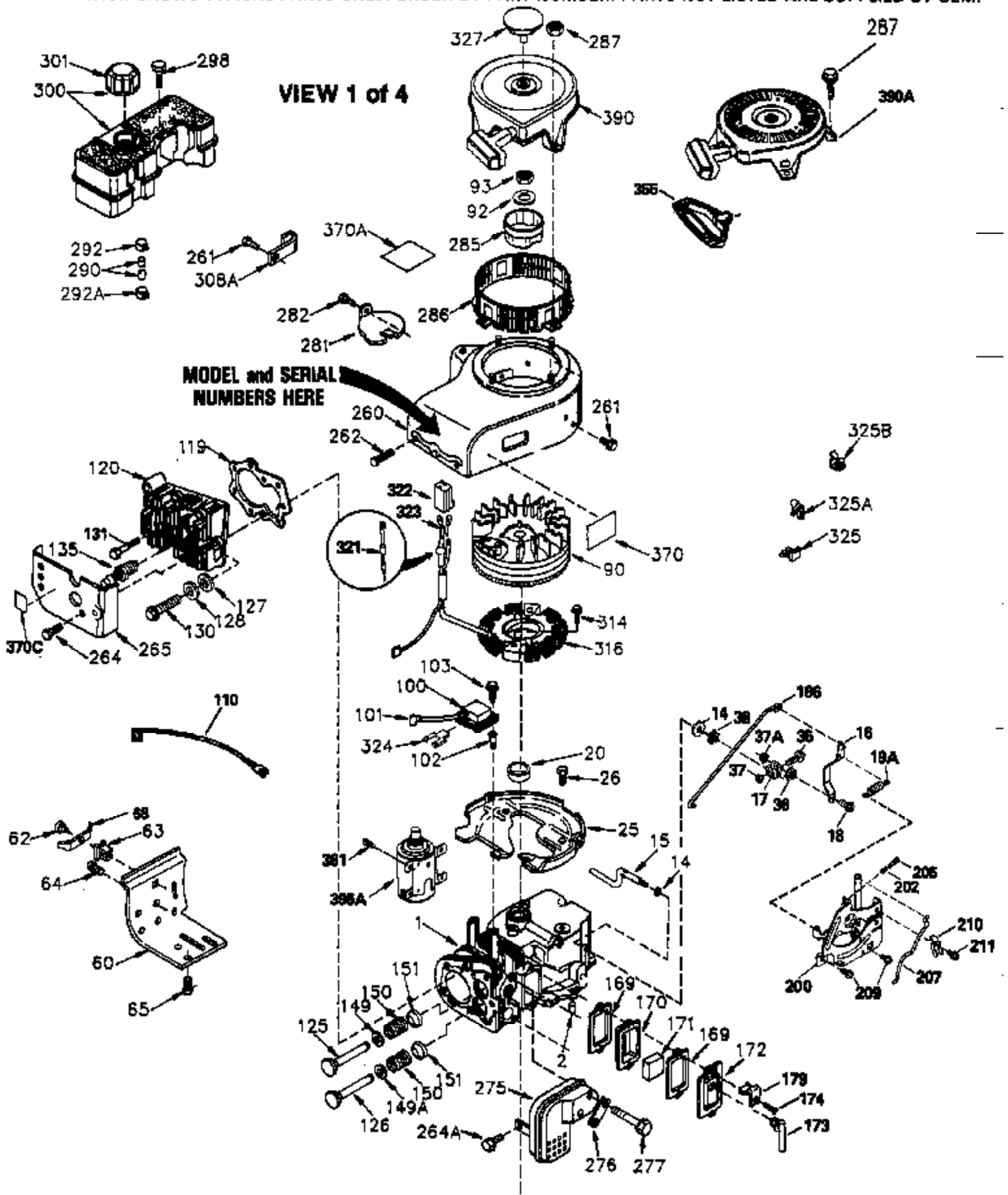


ILLUSTRATION SHOWS TYPICAL PARTS ONLY. ORDER BY PART NUMBER. PARTS NOT LISTED ARE SUPPLIED BY OEM.

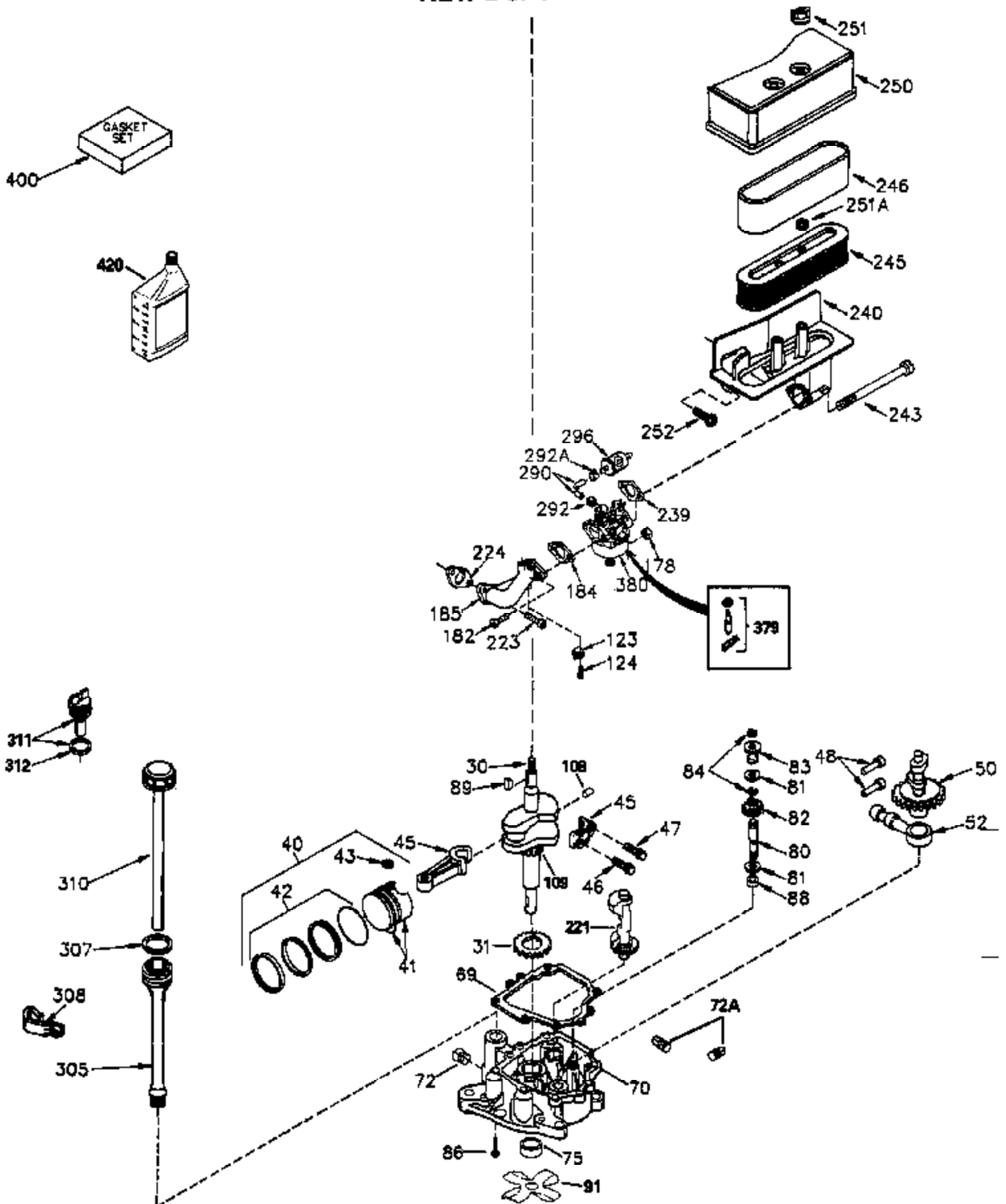


Ref #	Part Number	Qty	Description
	1 35745	1	Cylinder (Incl. 2 & 20)
	2 27652	2	Dowel Pin
	14 28277	2	Washer
	15 35082	1	Governor Rod
	16 32651	1	Governor Lever
	17 29916	1	Governor Lever Clamp
	18 650548	1	Screw, 8-32 x 5/16"
	19A 34043	1	Extension Spring
	20 35319	1	Oil Seal
	25 36460	1	Blower Housing Baffle
	26 650561	2	Screw, 1/4-20 x 5/8"
	28 30322	1	Lock Nut, 8-32
	35 29826	1	Screw, 10-32 x 3/4"
	36 29918	1	Lock Washer
	37 29216	1	Lock Nut, 10-32
	38 29642	1	Retaining Ring
	51 35747A	1	Counterbalance Weight
	60 33273A	1	Blower Housing Extension
	64 30063	1	Screw, Torx T-30, 1/4-20 x 1/2"
	65 650128	1	Screw, 10-24 x 1/2"
	72A 28483	1	Oil Drain Plug
	90 611093	1	Flywheel
	92 650880	1	Lock Washer
	93 650881	1	Flywheel Nut
	100 35608	1	Solid State Ignition (Ground To Run)
	101 610118	1	Spark Plug Cover
	102 650872	2	Solid State Mounting Stud
	103 650814	2	Screw, Torx T-15, 10-24 x 1"
	119 36448	1	* Cylinder Head Gasket
	120 36449	1	Cylinder Head
	125 27880A	1	Exhaust Valve (1/32" OS) (Incl. 151)
	125 27878A	1	Exhaust Valve (Std.) (Incl. 151)
	126 34035	1	Intake Valve (Std.) (Incl. 151)
	126 34036	1	Intake Valve (1/32" OS) (Incl. 151)
	127 650691	9	Washer
	128 650690	9	Belleville Washer
	130 650694A	9	Screw, 5/16-18 x 2"
	135 33636	1	Resistor Spark Plug (RJ17LM)
	149A 35862	1	Valve Spring Cap
	149 27882	1	Valve Spring Cap
	150 27881	2	Valve Spring
	151 32581	2	Valve Spring Keeper
	169 27896A	2	* Valve Cover Gasket
	170 28423	1	Breather Body
	171 28424	1	Breather Element
	172 28425	1	Valve Cover
	173 35350	1	Breather Tube
	174 650128	2	Screw, 10-24 x 1/2"
	186 33860	1	Governor Link
	200 35524	1	Control Bracket (Incl. 203 & 204)
	203 36482	1	Compression Spring
	204 650777	1	Screw, 6-32 x 21/32"
	207 35803	1	Throttle Link
	209 650902	2	Screw, 10-32 x 7/16"
	210 27793	1	Conduit Clip
	211 28942	1	Screw, 10-32 x 3/8"
	238 650834	2	Screw, 10-32 x 1-17/32"
	260 33635C	1	Blower Housing

Ref #	Part Number	Qty	Description
261	650788	2	Screw, 5/16-18 x 3/4"
262	29747B	2	Screw, Torx T-40, 5/16-24 x 21/32"
264A	650802	1	Screw, 1/4-20 x 5/8"
265	33272B	1	Cylinder Head Cover
275	34185A	1	Muffler
276	31588	1	Locking Plate
277	650729	2	Screw, 5/16-18 x 3-3/16"
285	35985A	1	Starter Cup
286	35446	1	Starter Screen
286	35446	1	Starter Screen
287	29752	4	Nut & Lockwasher, 1/4-28
290	30705	1	Fuel Line
292	26460	2	Fuel Line Clamp
298	28763	2	Screw, 10-32 x 35/64"
300	33583B	1	Fuel Tank (Incl. 292, 298 & 301)
301	35355	1	Fuel Cap
314	650873	2	Screw, 1/4-20 x 3/4"
315	611116	1	Alternator Coil (3 Amp D.C.)(Incl.321 - 323)
321	611161	1	Diode
322	611117	1	Connector Body
323	611118	1	Terminal
325	27275	1	Wire Clip
327	35392	1	Starter Plug
361	650990	4	Screw, Torx T-30, 5/16-18 x 15/32"
370A	35274	1	Oil Instruction Decal
370	36261	1	Lubrication Decal
390	590671	1	Rewind Starter (Note: This engine could have been built with 590704 starter. Refer to the design of the air intake louvers for part identification. Individual starter parts do not interchange.)

ILLUSTRATION SHOWS TYPICAL PARTS ONLY. ORDER BY PART NUMBER. PARTS NOT LISTED ARE SUPPLIED BY OEM.

VIEW 2 of 4

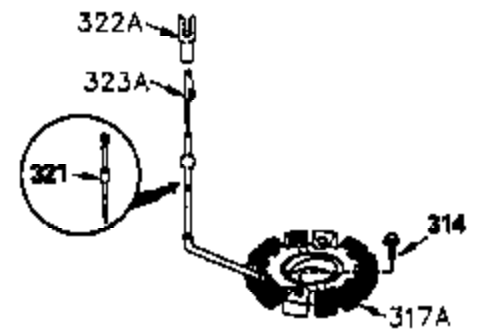
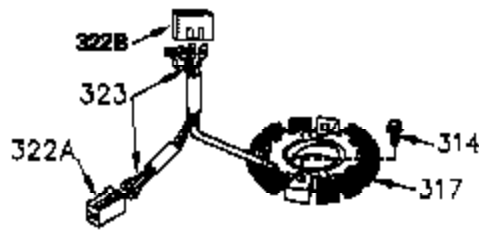
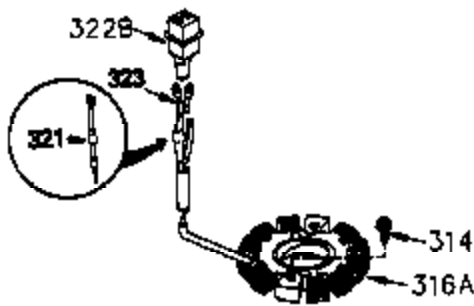
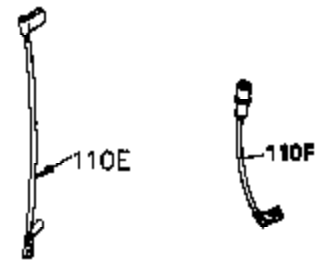
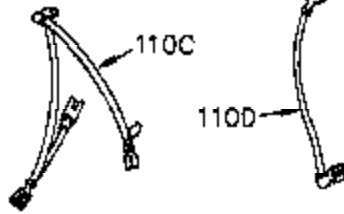
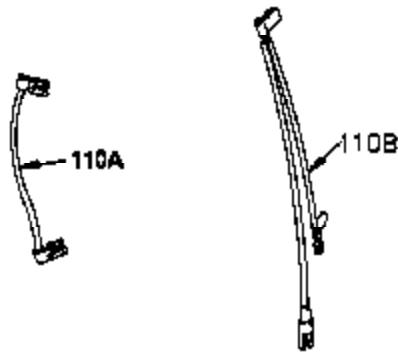
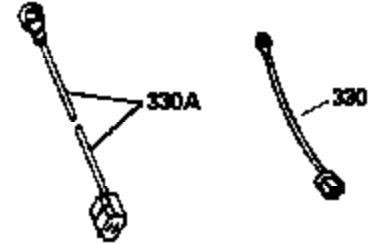
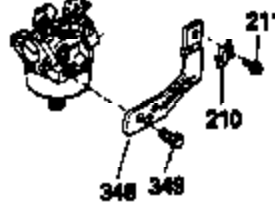
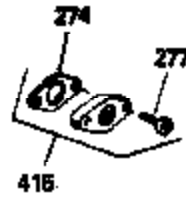
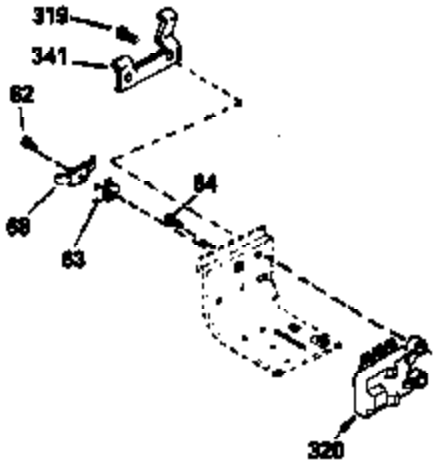


Ref #	Part Number	Qty	Description
28	30322	1	Lock Nut, 8-32
30	35746A	1	Crankshaft
31	35327	1	Counterbalance Gear
40	34552	1	Piston, Pin & Ring Set (Std.)
40	34553	1	Piston, Pin & Ring Set (.010" OS)
40	34554	1	Piston, Pin & Ring Set (.020" OS)
41	34329A	1	Piston & Pin Ass'y. (Std.) (Incl. 43)
41	34330A	1	Piston & Pin Ass'y. (.010" OS) (Incl. 43)
41	34331A	1	Piston & Pin Ass'y. (.020" OS) (Incl. 43)
42	34332	1	Ring Set (Std.)
42	34333	1	Ring Set (.010" OS)
42	34334	1	Ring Set (.020" OS)
43	27888	2	Piston Pin Retaining Ring
45	35373A	1	Connecting Rod Ass'y. (Incl. 46 & 47)
46	650908	1	Connecting Rod Bolt
47	650882	1	Connecting Rod Bolt
48	34034	2	Valve Lifter
50	35381	1	Camshaft (MCR)
51	35747A	1	Counterbalance Weight
52	31356	1	Oil Pump Ass'y.
69	35317	1	* Mounting Flange Gasket
70	35711A	1	Mounting Flange (Incl. 72,75,80 & 81)
72A	28483	1	Oil Drain Plug
72	31927	1	Oil Drain Plug
75	35319	1	Oil Seal
80	35783	1	Governor Shaft
81	30590A	2	Washer
82	35378	1	Governor Gear Ass'y. (Incl. 81)
83	30588A	1	Governor Spool
84	29193	2	Retaining Ring
86	650833	7	Screw, 1/4-20 x 1-3/16"
88	31707A	1	Spacer (Incl. 81)
89	32589	1	Flywheel Key
123	33261	1	Intake Pipe Brace
124	650738	3	Screw, 1/4-20 x 5/8"
178	29752	2	Nut & Lock Washer, 1/4-28
182	30088A	2	Screw, 1/4-28 x 1"
184	33263	1	* Carburetor To Intake Pipe Gasket
185	34926	1	Intake Pipe
203	36482	1	Compression Spring
204	650777	1	Screw, 6-32 x 21/32"
223	650378	2	Screw, Torx T-30, 5/16-18 x 1-1/8"
224	27915A	1	* Intake Pipe Gasket
238	650834	2	Screw, 10-32 x 1-17/32"
239	33629	1	* Air Cleaner Gasket
240	35538B	1	Air Cleaner Body (Incl. 239)
245	35403	1	Air Cleaner Filter (Incl. 251A)
250	35961	1	Air Cleaner Cover
251	650886	2	Wing Nut, 1/4-20
251A	650825	2	Nut & Lock Washer, 1/4-20
290	30705	1	Fuel Line
292	26460	2	Fuel Line Clamp
305	35574	1	Oil Fill Tube
307	35499	1	"O" Ring
308	35437	1	Fill Tube Clip
310	35576	1	Dipstick
315	611116	1	Alternator Coil (3 Amp D.C.)(Incl.321 - 323)
380	632677	1	Carburetor (Incl. 184)

Ref #	Part Number	Qty	Description
400	36450	1	* Gasket Set (Incl. items marked PK i n notes) Incl. part #'s 27272A (1), 27896A (2), 27915A (1), 29673 (1), 33263 (1), 33629 (1), 34698A (1), 35262 (1), 36448 (1)

ILLUSTRATION SHOWS TYPICAL PARTS ONLY. ORDER BY PART NUMBER. PARTS NOT LISTED ARE SUPPLIED BY OEM.

VIEW 3 of 4

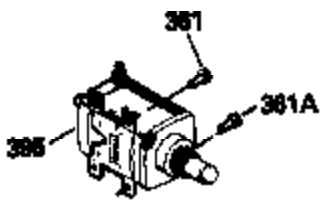
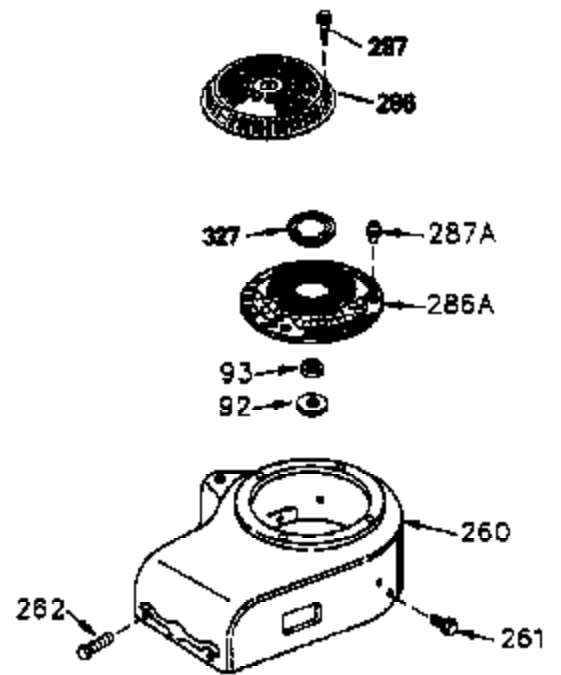
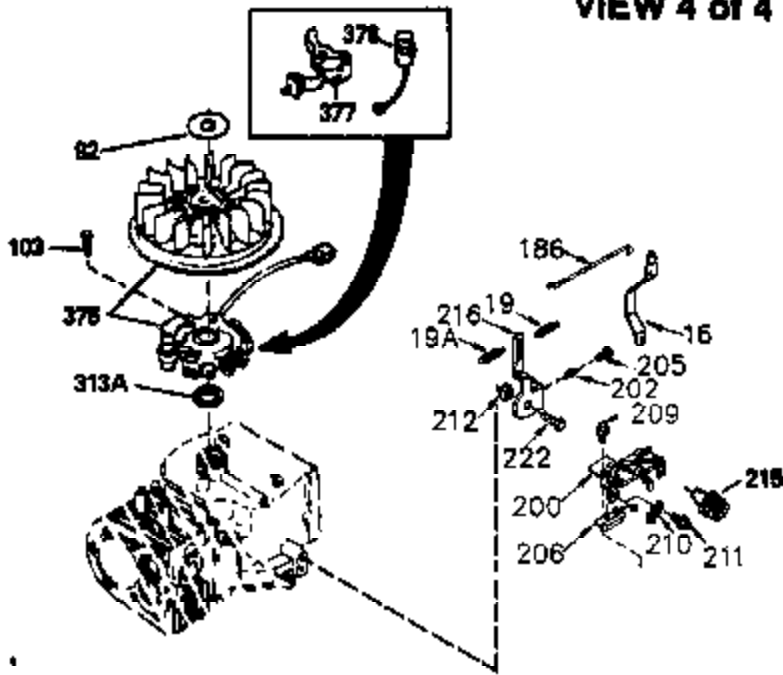


Ref #	Part Number	Qty	Description
28	30322	1	Lock Nut, 8-32
51	35747A	1	Counterbalance Weight
64	30063	1	Screw, Torx T-30, 1/4-20 x 1/2"
72A	28483	1	Oil Drain Plug
203	36482	1	Compression Spring
204	650777	1	Screw, 6-32 x 21/32"
210	27793	1	Conduit Clip
211	28942	1	Screw, 10-32 x 3/8"
238	650834	2	Screw, 10-32 x 1-17/32"
277	650729	2	Screw, 5/16-18 x 3-3/16"
314	650873	2	Screw, 1/4-20 x 3/4"
315	611116	1	Alternator Coil (3 Amp D.C.)(Incl.321 - 323)
321	611161	1	Diode
323	611118	1	Terminal

ILLUSTRATION SHOWS TYPICAL PARTS ONLY. ORDER BY PART NUMBER. PARTS NOT LISTED ARE SUPPLIED BY OEM.

STANDARD POINT IGNITION

VIEW 4 of 4



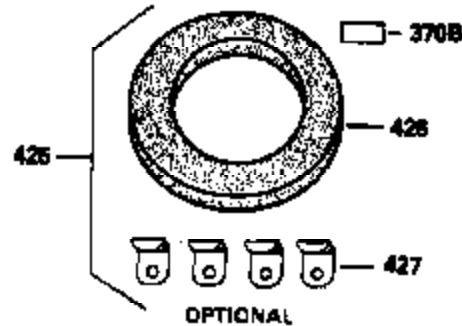
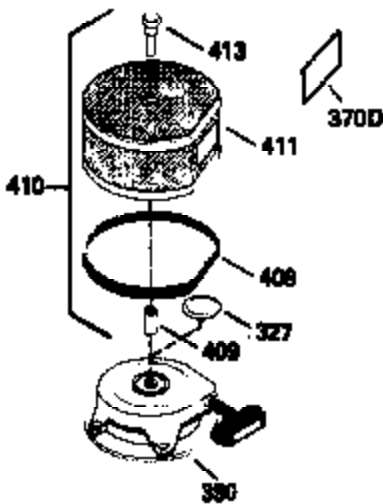
MUFFLER (QUIET)
(OPTIONAL)



OPTIONAL SPARK
ARRESTOR



DEBRIS SCREEN KIT
(OPTIONAL)



Ref #	Part Number	Qty	Description
16	32651	1	Governor Lever
19A	34043	1	Extension Spring
28	30322	1	Lock Nut, 8-32
51	35747A	1	Counterbalance Weight
72A	28483	1	Oil Drain Plug
92	650880	1	Lock Washer
93	650881	1	Flywheel Nut
103	650814	2	Screw, Torx T-15, 10-24 x 1"
186	33860	1	Governor Link
200	35524	1	Control Bracket (Incl. 203 & 204)
203	36482	1	Compression Spring
204	650777	1	Screw, 6-32 x 21/32"
209	650902	2	Screw, 10-32 x 7/16"
210	27793	1	Conduit Clip
211	28942	1	Screw, 10-32 x 3/8"
238	650834	2	Screw, 10-32 x 1-17/32"
260	33635C	1	Blower Housing
261	650788	2	Screw, 5/16-18 x 3/4"
262	29747B	2	Screw, Torx T-40, 5/16-24 x 21/32"
277	650729	2	Screw, 5/16-18 x 3-3/16"
286	35446	1	Starter Screen
286	35446	1	Starter Screen
287	29752	4	Nut & Lockwasher, 1/4-28
315	611116	1	Alternator Coil (3 Amp D.C.)(Incl.321 - 323)
327	35392	1	Starter Plug
361	650990	4	Screw, Torx T-30, 5/16-18 x 15/32"
390	590671	1	Rewind Starter (Note: This engine could have been built with 590704 starter. Refer to the design of the air intake louvers for part identification. Individual starter parts do not interchange.)
395	35763A	1	Electric Starter Motor (12 Volt)