

ILLUSTRATION SHOWS TYPICAL PARTS ONLY. ORDER BY PART NUMBER. PARTS NOT LISTED ARE SUPPLIED BY OEM.

VIEW 1 OF 2

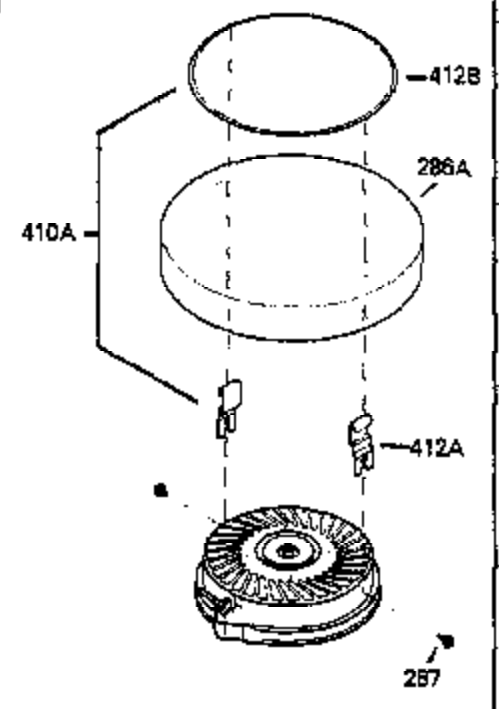


Ref #	Part Number	Qty	Description
	1 250288		Cylinder (Incl. 67A, 75, 105, 106 & 1 38)
	16 490306		Governor Lever
	16A 490304		Governor Lever
	19 490308		Extension Spring
	19A 490307		Throttle Link Spring
	20 510340		Oil Seal
	21 570673		Ball Bearing
	22 510338		Slide Ring
	23 530158		Ball Bearing
	24 530161		Ball Bearing
	27 530159		Bearing Retainer
	29 530164		Bearing Strip (31 needles) (.495" lon g)
	30 290574A		Crankshaft (Incl. 29)
	33 330179		Adapter Plate
	34 792067		Screw, 5/16-18 x 1"
	35A 650961		Screw, 4-40 x 1/4"
	35 29826		Screw, 10-32 x 3/4"
	37 29216		Lock Nut, 10-32
	39 310277B		Piston & Rod Ass'y. (Incl. 29 & 42)
	42 310278		Ring Set
	67 430233		Fuel Filter (Screen w/brass collar)
	67A 430234		Fuel Filter (Screen) (Optional)
	75 510339		Oil Seal (P.T.O. end)
	75A 510337		Oil Seal
	80 490305		Governor Shaft
	89 611107		Flywheel Key
	90 611109		Flywheel (Counterbalance)
	92 650815		Belleville Washer
	93 650816		Flywheel Nut
	100 34443A		Solid State Ignition
	101 610118		Spark Plug Cover
	103 650814		Screw, Torx T-15, 10-24 x 1"
	105 650892		Screw, 5/16-18 x 2-3/16"
	106 650891		Screw, 5/16-18 x 1-5/8"
	110 611106		Ground Wire
	135 35395		Spark Plug (RJ19LM)
	138 570683		Port Cover
	164 510341		"O" Ring
	165 510342		"O" Ring
	182 792067		Screw, 5/16-18 x 1"
	184A 27110		Washer
	185 570674		Intake Pipe & Reed Ass'y. (Incl. 164 & 165)
	186 490309		Governor Link
	200 570681A		Control Bracket (Incl. 203, 205 & 206)
	202 32924		Compression Spring
	203 31342		Compression Spring
	204 650549		Screw, 5-40 x 7/16"
	205 650606		Screw, 10-32 x 1-1/8"
	206 610973		Terminal
	209 650735		Screw, 10-24 x 3/8"
	209A 650867		Screw, 10-24 x 1/2"
	215 32410		Control Knob
	226 730575A		Air Cleaner Kit (Incl. 227, 229, 238, 239, 245, 245A, 250, 251 & 370B)
	227 450249A		Air Cleaner Elbow Ass'y. (Incl. 228, 232, 238, 239A, 241, 344 & 344A)
	228 650901		Stud, 1/4-20 x 4.89 (threaded both en ds)

Ref #	Part Number	Qty	Description
229	650825		Nut & Lock Washer, 1/4-20
232			Pop Rivet (Can be purchased locally)
239A	34698A		Air Cleaner Gasket
239	35815		Air Cleaner Gasket
241	34699		Air Cleaner Bracket
245A	34783		Air Cleaner Filter
245	34782		Air Cleaner Filter (Incl. 229)
250	35601		Air Cleaner Cover
251	650513		Wing Nut, 1/4-20
260	350430		Blower Housing
261	650894		Screw, 5/16-18 x 5/8"
274	510343A		Exhaust Gasket
277	650893		Screw, 5/16-18 x 3-13/64"
278	28537		Washer
279	650837		Screw, 10-32 x 1/4"
280	390307A		Heat Shield
283	390315		E.G.R. Tube
285	34449		Starter Cup
287	650926		Screw, 8-32 x 21/64"
290	29774		Fuel Line
292	26460		Fuel Line Clamp
298	650895		Screw, 10-32 x 5/8"
300	410258		Fuel Tank
301	410259A		Fuel Cap
327	35392		Starter Plug
344	450256		Air Cleaner Brace
344A	650894		Screw, 5/16-18 x 5/8"
370B	34704		Instruction Decal
370H	35977		Caution Decal
370C	550234		Bowl Nut Decal
370E	36260		Primer Decal
370E	550235		Control Decal
380	632434		Carburetor (Incl. 164) (Refer to Division 5, Section A, page A6-2 or Fiche 25, Grid F-1 for breakdown)
390	590688		Rewind Starter (Refer to Division 5, Section C, page 36 or Fiche 25, Grid G-3 for breakdown)
399	510334		Gasket Eliminator (Loctite 515)
420	730227A		2-Cycle Oil (8 oz.)

ILLUSTRATION SHOWS TYPICAL PARTS ONLY. ORDER BY PART NUMBER. PARTS NOT LISTED ARE SUPPLIED BY OEM.

VIEW 2 OF 2



Ref #	Part Number	Qty	Description
67A	430234		Fuel Filter (Screen) (Optional)
200	570681A		Control Bracket (Incl. 203, 205 & 206)
202	32924		Compression Spring
205	650606		Screw, 10-32 x 1-1/8"
209A	650867		Screw, 10-24 x 1/2"
209	650735		Screw, 10-24 x 3/8"
238A	650940		Screw, 10-32 x 3/4"
245	34782		Air Cleaner Filter (Incl. 229)
245A	34783		Air Cleaner Filter
275A	390316		Muffler (Discharge toward spark plugend) (w/glass fiber packing)
287	650926		Screw, 8-32 x 21/64"
290	29774		Fuel Line
292	26460		Fuel Line Clamp
296	34279B		Fuel Filter
370E	36260		Primer Decal
370E	550235		Control Decal
370H	35977		Caution Decal
390	590688		Rewind Starter (Refer to Division 5, Section C, page 36 or Fiche 25, Grid G-3 for breakdown)
416	390309		Spark Arrestor Kit (Can be used on an y model)