

ILLUSTRATION SHOWS TYPICAL PARTS ONLY. ORDER BY PART NUMBER. PARTS NOT LISTED ARE SUPPLIED BY OEM.

VIEW 1 OF 2

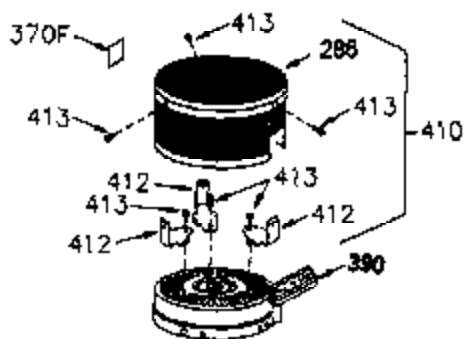


| Ref # | Part Number | Qty | Description |
|-------|-------------|-----|---|
| | 1 250288 | | Cylinder (Incl. 67A, 75, 105, 106 & 1 38) |
| 16A | 490304 | | Governor Lever |
| 16 | 490306 | | Governor Lever |
| 19 | 490308 | | Extension Spring |
| 19A | 490307 | | Throttle Link Spring |
| 20 | 510340 | | Oil Seal |
| 21 | 570673 | | Ball Bearing |
| 22 | 510338 | | Slide Ring |
| 23 | 530158 | | Ball Bearing |
| 24 | 530161 | | Ball Bearing |
| 27 | 530159 | | Bearing Retainer |
| 29 | 530164 | | Bearing Strip (31 needles) (.495" lon g) |
| 30 | 290567A | | Crankshaft (Incl. 29) |
| 33 | 330179 | | Adapter Plate |
| 34 | 792067 | | Screw, 5/16-18 x 1" |
| 35A | 650506 | | Screw, 4-40 x 3/16" |
| 35 | 29826 | | Screw, 10-32 x 3/4" |
| 37 | 29216 | | Lock Nut, 10-32 |
| 39 | 310277B | | Piston & Rod Ass'y. (Incl. 29 & 42) |
| 42 | 310278 | | Ring Set |
| 67A | 430234 | | Fuel Filter (Screen) (Optional) |
| 67 | 430233 | | Fuel Filter (Screen w/brass collar) |
| 75 | 510339 | | Oil Seal (P.T.O. end) |
| 75A | 510337 | | Oil Seal |
| 80 | 490305 | | Governor Shaft |
| 89 | 611107 | | Flywheel Key |
| 90 | 611109 | | Flywheel (Counterbalance) |
| 92 | 650815 | | Belleville Washer |
| 93 | 650816 | | Flywheel Nut |
| 100 | 34443A | | Solid State Ignition |
| 101 | 610118 | | Spark Plug Cover |
| 103 | 650814 | | Screw, Torx T-15, 10-24 x 1" |
| 105 | 650892 | | Screw, 5/16-18 x 2-3/16" |
| 106 | 650891 | | Screw, 5/16-18 x 1-5/8" |
| 110 | 611110 | | Ground Wire |
| 135 | 35395 | | Spark Plug (RJ19LM) |
| 138 | 570683 | | Port Cover |
| 164 | 510341 | | "O" Ring |
| 165 | 510342 | | "O" Ring |
| 182 | 792067 | | Screw, 5/16-18 x 1" |
| 184A | 27110 | | Washer |
| 185 | 570674 | | Intake Pipe & Reed Ass'y. (Incl. 164 & 165) |
| 186 | 490309 | | Governor Link |
| 190 | 570688 | | Brake Lever |
| 191A | 570686A | | Brake Control Lever |
| 191 | 570679 | | S.E. Brake Bracket |
| 192 | 490312 | | Brake Control Link |
| 193 | 490311 | | Brake Spring |
| 195 | 610973 | | Terminal |
| 197 | 650896 | | Screw, 1/4-20 x 13/16" |
| 197A | 650897 | | Screw, 1/4-20 x 13/32" |
| 198 | 490313 | | Brake Control Lever Spring |
| 200 | 570675A | | Control Bracket (Incl.202,203,204,205 ,206) |
| 202 | 32924 | | Compression Spring |
| 203 | 31342 | | Compression Spring |
| 204 | 650549 | | Screw, 5-40 x 7/16" |
| 205 | 650606 | | Screw, 10-32 x 1-1/8" |
| 209 | 650735 | | Screw, 10-24 x 3/8" |

| Ref # | Part Number | Qty | Description |
|-------|-------------|-----|--|
| 210 | 27793 | | Conduit Clip |
| 211 | 650837 | | Screw, 10-32 x 1/4" |
| 226 | 730575A | | Air Cleaner Kit (Incl. 227, 229, 238, 239, 245, 245A, 250, 251 & 370B) |
| 227 | 450249A | | Air Cleaner Elbow Ass'y. (Incl. 228, 232, 238, 239A, 241, 344 & 344A) |
| 238 | 650834 | | Screw, 10-32 x 1-17/32" |
| 245 | 450244 | | Air Cleaner Filter |
| 245A | 450243 | | Air Cleaner Filter |
| 260 | 350429 | | Blower Housing |
| 261 | 650894 | | Screw, 5/16-18 x 5/8" |
| 274 | 510343A | | Exhaust Gasket |
| 277 | 650893 | | Screw, 5/16-18 x 3-13/64" |
| 278 | 28537 | | Washer |
| 279 | 650837 | | Screw, 10-32 x 1/4" |
| 280 | 390307A | | Heat Shield |
| 283 | 390315 | | E.G.R. Tube |
| 285 | 34449 | | Starter Cup |
| 287 | 650926 | | Screw, 8-32 x 21/64" |
| 290 | 29774 | | Fuel Line |
| 292 | 26460 | | Fuel Line Clamp |
| 298 | 650895 | | Screw, 10-32 x 5/8" |
| 300 | 410258 | | Fuel Tank |
| 301 | 410259A | | Fuel Cap |
| 325 | 29443 | | Wire Clip |
| 327 | 35392 | | Starter Plug |
| 370C | 550234 | | Bowl Nut Decal |
| 370 | 550230A | | Fuel Mix Decal |
| 370A | 34686 | | Name Decal |
| 370D | 34144 | | Primer Decal |
| 370B | 550231 | | Instruction Decal |
| 380 | 632434 | | Carburetor (Incl. 164) (Refer to Division 5, Section A, page A6-2 or Fiche 25, Grid F-1 for breakdown) |
| 390 | 590621 | | Rewind Starter (Refer to Division 5, Section C, page 34 or Fiche 25, Grid G-1 for breakdown) |
| 399 | 510334 | | Gasket Eliminator (Loctite 515) |
| 420 | 730227A | | 2-Cycle Oil (8 oz.) |

ILLUSTRATION SHOWS TYPICAL PARTS ONLY. ORDER BY PART NUMBER. PARTS NOT LISTED ARE SUPPLIED BY OEM.

VIEW 2 OF 2



| Ref # | Part Number | Qty | Description |
|-------|-------------|-----|--|
| 67A | 430234 | | Fuel Filter (Screen) (Optional) |
| 200 | 570675A | | Control Bracket (Incl.202,203,204,205 ,206) |
| 202 | 32924 | | Compression Spring |
| 205 | 650606 | | Screw, 10-32 x 1-1/8" |
| 209 | 650735 | | Screw, 10-24 x 3/8" |
| 230 | 510344 | | "O" Ring |
| 231 | 450245 | | Measuring Cup |
| 240 | 450242 | | Air Cleaner Body |
| 245A | 450243 | | Air Cleaner Filter |
| 245C | 450247 | | Air Cleaner Filter |
| 245 | 450244 | | Air Cleaner Filter |
| 250A | 450246 | | Air Cleaner Cover |
| 275A | 390316 | | Muffler (Discharge toward spark plugend) (w/glass fiber packing) |
| 287 | 650926 | | Screw, 8-32 x 21/64" |
| 290 | 29774 | | Fuel Line |
| 292 | 26460 | | Fuel Line Clamp |
| 296 | 34279B | | Fuel Filter |
| 390 | 590621 | | Rewind Starter (Refer to Division 5, Section C, page 34 or Fiche 25, Grid G-1 for breakdown) |
| 416 | 390309 | | Spark Arrestor Kit (Can be used on an y model) |