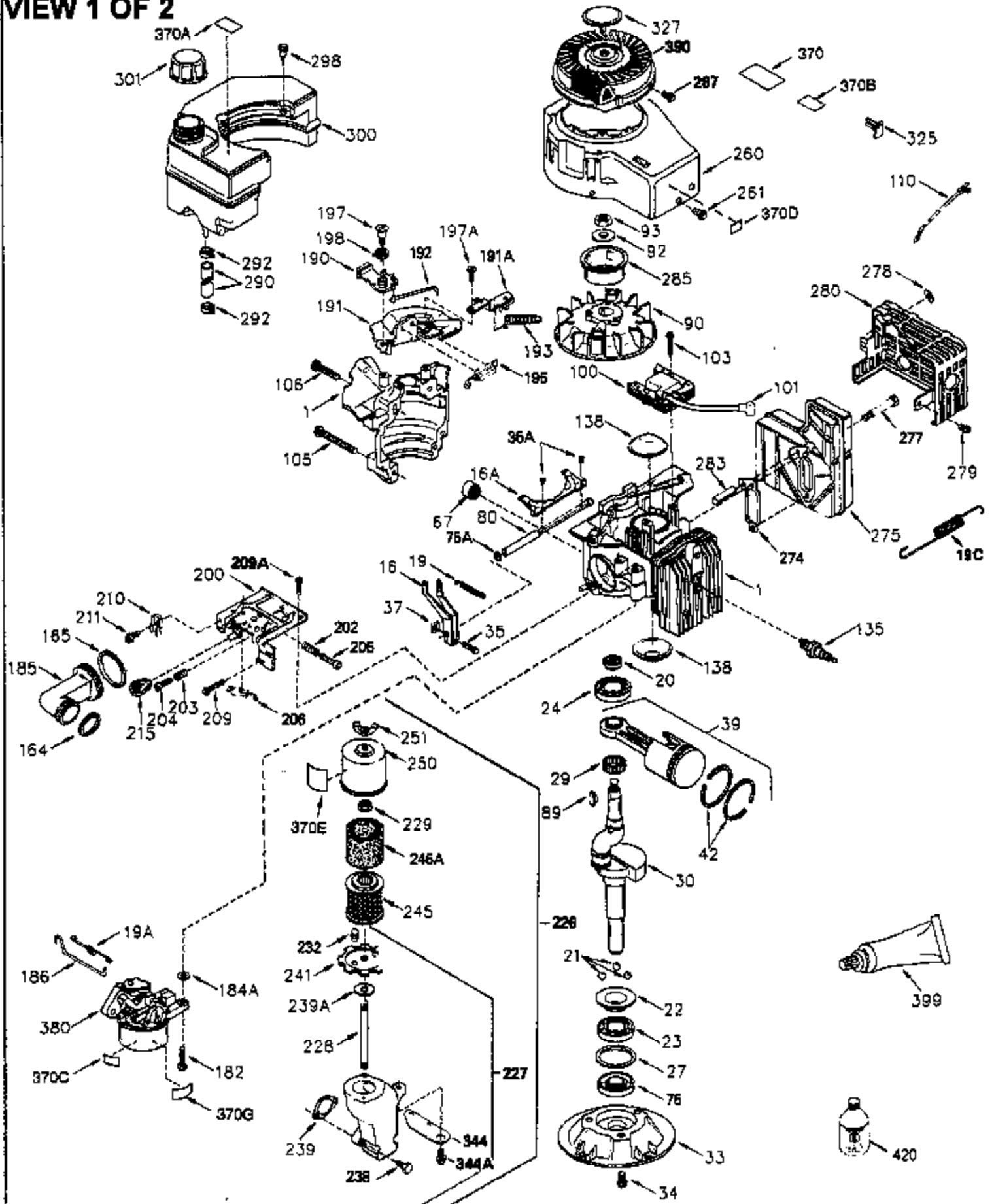


ILLUSTRATION SHOWS TYPICAL PARTS ONLY. ORDER BY PART NUMBER. PARTS NOT LISTED ARE SUPPLIED BY OEM.

VIEW 1 OF 2

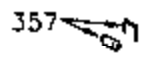
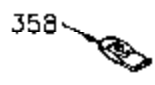
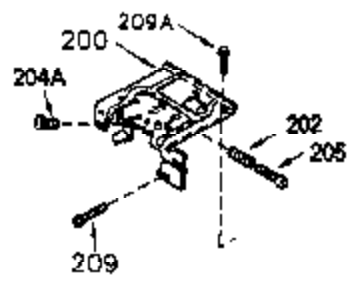
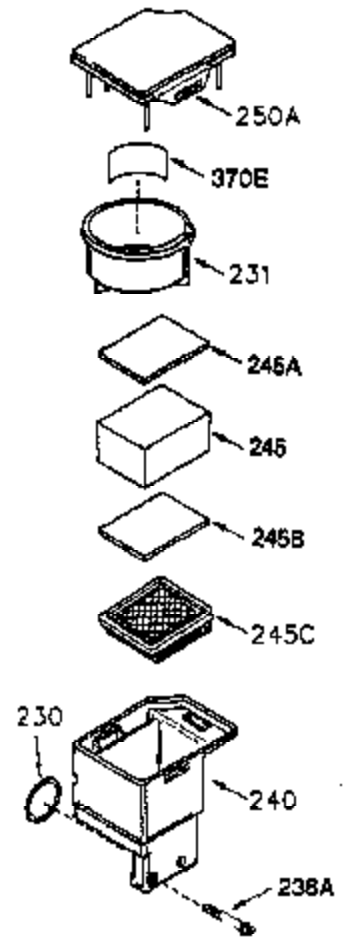
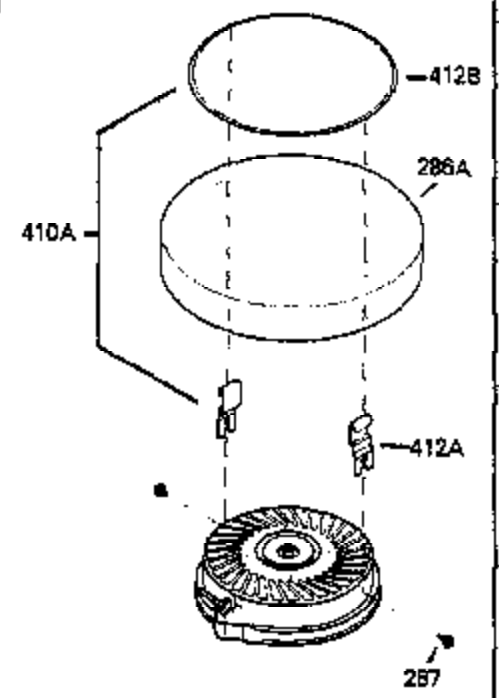
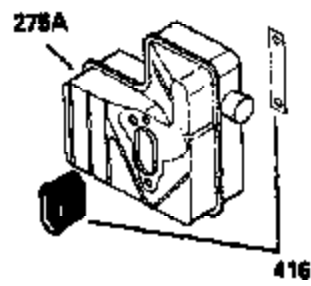
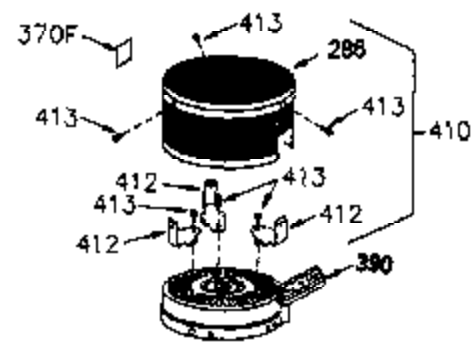
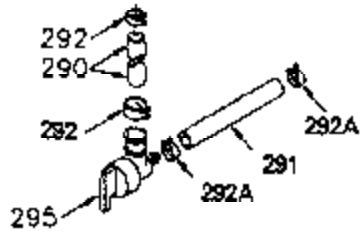


Ref #	Part Number	Qty	Description
	1 250288	1	Cylinder (Incl. 67, 75A, 105, 106 & 1 38)
16A	490304	1	Governor Lever
16	490306	1	Governor Lever
19A	490307	1	Backlash Spring
19	490308	1	Extension Spring
20	510340	1	Oil Seal
21	570673	3	Ball Bearing
22	510338	1	Slide Ring
23	530158	1	Ball Bearing
24	530161	1	Ball Bearing
27	530159	1	Bearing Retainer
29	530164	1	Bearing Strip (31 Needles)
30	290573B	1	Crankshaft (Incl. 29)
33	330179	1	Adapter Plate
34	792067	3	Screw, 5/16-18 x 1"
35	29826	1	Screw, 10-32 x 3/4"
35A	650506	2	Screw, 4-40 x 1/4"
37	29216	1	Lock Nut, 10-32
39	310277B	1	Piston & Rod Ass'y. (Incl. 29 & 42)
42	310278	2	Ring Set
67	430233	1	Fuel Filter
75A	510337	1	Oil Seal
75	510339	1	Oil Seal
80	490305	1	Governor Shaft
89	611107	1	Flywheel Key
90	611109	1	Flywheel
92	650815	1	Belleville Washer
93	650816	1	Flywheel Nut
100	34443B	1	Solid State Ignition
101	610118	1	Spark Plug Cover
103	651007	2	Screw, Torx T-15, 10-24 x 15/16"
105	650892	2	Screw, 5/16-18 x 2-3/16"
106	650891	2	Screw, 5/16-18 x 1-5/8"
110	611106	1	Ground Wire
135	35395	1	Resistor Spark Plug (RJ19LM)
138	570683	2	Port Cover
164	510341	1	"O" Ring
165	510342	1	"O" Ring
182	792067	2	Screw, 5/16-18 x 1"
184A	27110	2	Washer
185	570674	1	Intake Pipe (Incl. 164 & 165)
186	490309	1	Governor Link
200	570675A	1	Control Bracket (Incl. 202 thru 206)
202	32924	1	Compression Spring
203	31342	1	Compression Spring
204	650549	1	Screw, 5-40 x 7/16"
205	650606	1	Screw, 10-32 x 1-1/8"
206	610973	1	Terminal
209A	650867	2	Screw, 10-24 x 1/2"
209	650735	1	Screw, 10-24 x 3/8"
210	27793	1	Conduit Clip
211	650837	1	Screw, 10-32 x 1/4"
226	730575A	1	Air Cleaner Kit (Incl. items marked # # sign)
227	450249A	1	## A/C Elbow (Incl. items marked with # sign)
228	650901	1	# Stud, 1/4-20 x 4.89"
232	0	2	# Pop Rivet (Can be purchased locally)
238	650940	2	## Screw, 10-32 x 3/4"
239A	34698A	1	# Air Cleaner Gasket

Ref #	Part Number	Qty	Description
239	35815	1	## Air Cleaner Gasket
241	34699	1	# Air Cleaner Collar
245A	34783	1	## Air Cleaner Filter
245	34782	1	## Air Cleaner Filter
250	34781	1	## Air Cleaner Cover
251	650513	1	## Wing Nut, 1/4-20
260	350430	1	Blower Housing
261	650894	4	Screw, 5/16-18 x 5/8"
274	510343A	1	Exhaust Gasket
275	390316	1	Muffler
277	650893	2	Screw, 5/16-18 x 3-13/64"
278	28537	1	Spacer
279	650837	3	Screw, 10-32 x 1/4"
280	390307A	1	Heat Shield
283	390315	1	E.G.R. Tube
285	34449A	1	Starter Cup
287	650926	4	Screw, 8-32 x 21/64"
290	29774	1	Fuel Line
292	26460	2	Fuel Line Clamp
298	650895	3	Screw, 10-32 x 5/8"
300	410258	1	Fuel Tank
301	410259A	1	Fuel Cap
344A	650894	1	# Screw, 5/16-18 x 5/8"
344	450256	1	# Air Cleaner Brace
370K	36695	1	Starter Decal
370A	36261	1	Lubrication Decal
370C	550234	1	Bowl Nut Decal
370B	34704	1	## Instruction Decal
380	632434	1	Carburetor (Incl. 164)
390	590732	1	Rewind Starter (NOTE: This engine could have been built with 590738 starter. Refer to the design of the rope pulley strength ribs for part identification. Individual starter parts do not interchange. Refer to service bulletin 116.)
399	510334	1	Gasket Eliminator (Loctite 515)
420	730227A	1	2-Cycle Oil (8 oz.)

ILLUSTRATION SHOWS TYPICAL PARTS ONLY. ORDER BY PART NUMBER. PARTS NOT LISTED ARE SUPPLIED BY OEM.

VIEW 2 OF 2



Ref #	Part Number	Qty	Description
200	570675A	1	Control Bracket (Incl. 202 thru 206)
202	32924	1	Compression Spring
205	650606	1	Screw, 10-32 x 1-1/8"
209A	650867	2	Screw, 10-24 x 1/2"
209	650735	1	Screw, 10-24 x 3/8"
245	34782	1	## Air Cleaner Filter
245A	34783	1	## Air Cleaner Filter
287	650926	4	Screw, 8-32 x 21/64"
290	29774	1	Fuel Line
292	26460	2	Fuel Line Clamp
370K	36695	1	Starter Decal
390	590732	1	Rewind Starter (NOTE: This engine could have been built with 590738 starter. Refer to the design of the rope pulley strength ribs for part identification. Individual starter parts do not interchange. Refer to service bulletin 116.)